

Description

Superior performance for dimmed lighting, low life-cycle cost, and high power handling capability make Halo Architectural Series 20 Amp 2 Circuit / 2 Neutral track an excellent choice. This system is ideal for dimming intensive applications. The independent neutrals guarantee that the two circuits are completely isolated. Cross-circuit interference and neutral harmonics are completely eliminated, essential for trouble free dimming. The lack of harmonics ensures superior fixture performance and longer equipment life. Independent neutrals also offer twice the power handling capacity of ordinary common neutral track. Halo Architectural Series 20 Amp 2 Circuit / 2 Neutral track is engineered to be a durable, dependable, and simple-to-install lighting solution. The track's extruded aluminum construction and continuously crimped conductor ensure mechanical strength and electrical reliability. The integral suspension rail and pre-drilled mounting holes of the track simplify installations.

Catalog #		Type
Project		
Comments		Date
Prepared by		

Specification Features

Independent Neutrals

Enable greater power capacity (2 x 20A); Dimming capability-dim on two independent circuits without harmonics or interference on the neutral conductor.

Oversized Conductors

For higher operating safety and reduced overload potential.

Secure Bus Bar Insulation

Firmly crimped insulation secures both conductors and insulation for the life of the product.

Separate Mechanical Suspension Points

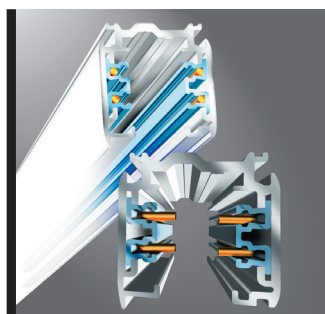
Provides superior weight bearing capacity; ensures electrical contact integrity and reduces likelihood of arcing.

Polarity Ridge

Takes the Guesswork out of connector and track alignment during installation

Mounting

Track system is recommended for ceiling mount only. For alternate mounting methods consult factory.



Ordering Information

TEK4 Track Systems

Example: TEK4 8 2

Product Description	Track Length	Finish
TEK4 - 20 Amp Track Section Two Circuit / Two Neutral 120 Volt Circuit	4 - 4' Length	1 - Aluminum
	8 - 8' Length	2 - Black
	12 - 12' Length	3 - White

FTP4 Track Systems

Example: FTP4 12 1

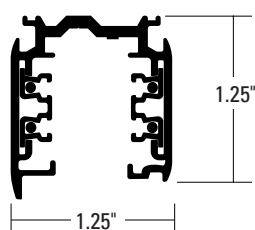
Product Description	Track Length	Finish
FTP4 - Recessed Housing for Two Circuit / Two Neutral Track Section	4 - 4' 3.5" Length	1 - Aluminum
	8 - 8' 3.5" Length	2 - Black
	12 - 12' 3.5" Length	3 - White

TEK4 Track System

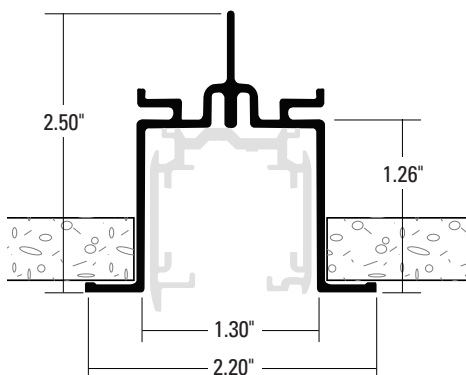
20A Track / 120V

Two Circuit Two Neutral

Dimensions



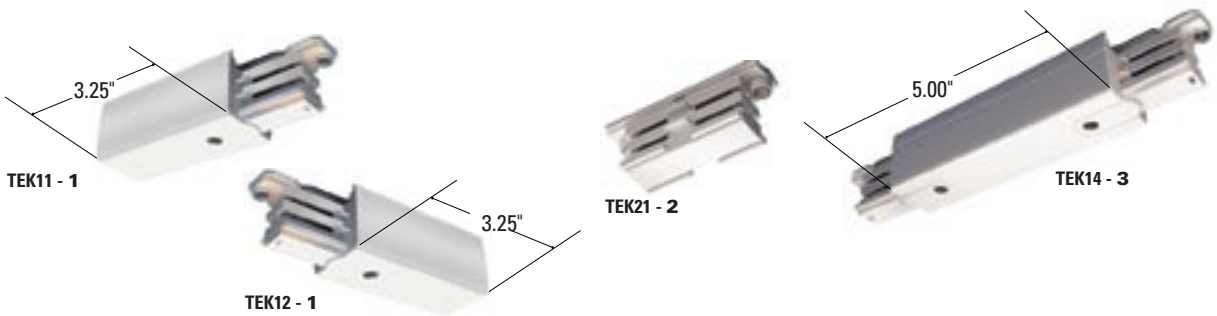
TEK4 - Track



FTP4 - Recessed Track Housing
Track and Housing sold separately

Power Feeds & Connectors for 20A Track - 120V - 2 Circuit / 2 Neutral

Product	Finish
TEK11 - Live End Feed for 2 Circuit / 2 Neutral Track (left polarity) 1	1 - Aluminum
TEK12 - Live End Feed for 2 Circuit / 2 Neutral Track (right polarity) 1	2 - Black
TEK21 - Linear Coupler for 2 Circuit / 2 Neutral Track 2	3 - White
TEK14 - Live Center Feed for 2 Circuit / 2 Neutral Track 3	

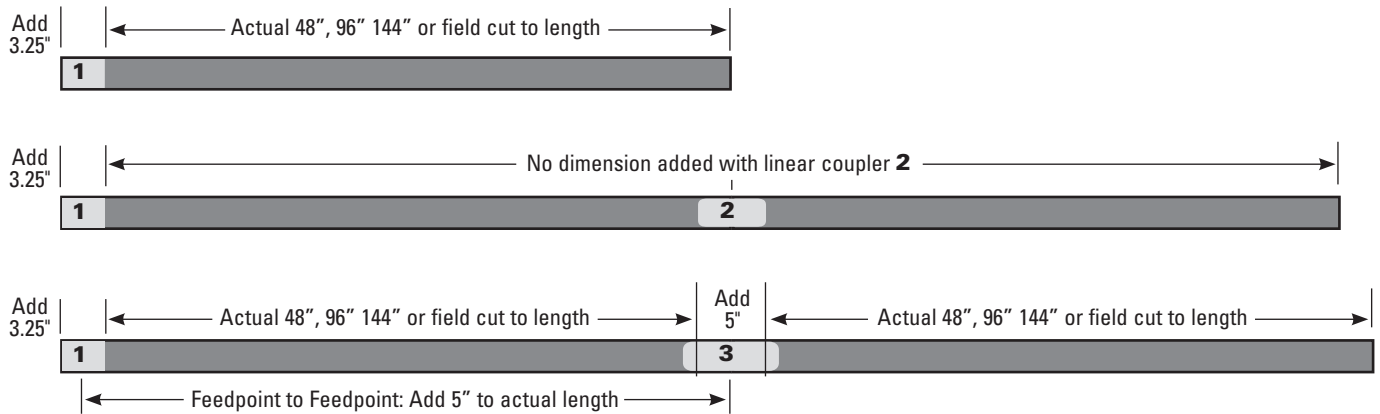


Product	Finish
SKBX12 - GWB Ceiling Mounting Clip (no finish)	1 - Aluminum
SKBT12 - T-Bar Ceiling Mounting Clip	2 - Black
SKB12 - Suspension Clip for Cable or Threaded Rod	3 - White
XTSV12 - Bending tool for conductors. Required in order to cut track sections in the field	N/A



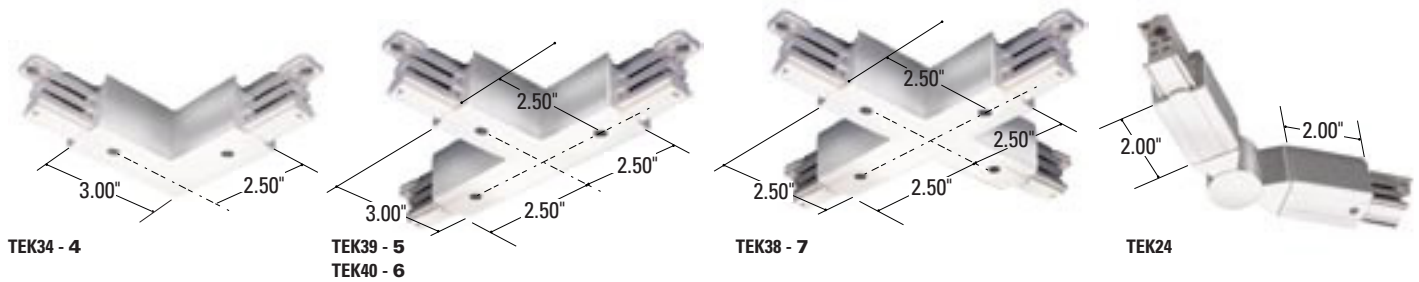
Track Configurations

Refer to these diagrams to ensure proper connector selection.



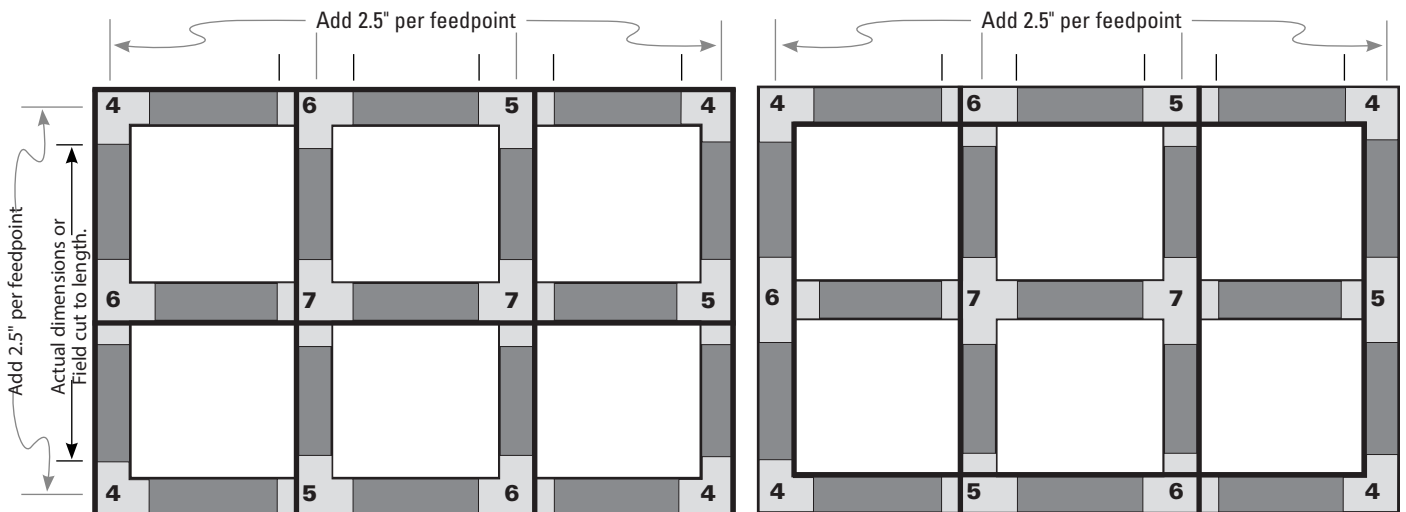
Track Connectors Components for 20A Track - 120V - 2 Circuit / 2 Neutral

Product	Finish
TEK34 - Feedable 'L' Connector for 2 Circuit / 2 Neutral Track 4	1 - Aluminum
TEK39 - Feedable 'T' Connector for 2 Circuit / 2 Neutral Track, Adjustable Right Polarity 5	2 - Black
TEK40 - Feedable 'T' Connector for 2 Circuit / 2 Neutral Track, Adjustable Left Polarity 6	3 - White
TEK38 - Feedable 'X' Connector for 2 Circuit / 2 Neutral Track 7	
TEK24 - Adjustable Elbow Connector for 2 Circuit / 2 Neutral Track	



Track Configurations

Refer to these diagrams to ensure proper connector selection.



1: Bending tool required to field cut track.

Accessories for 20A Track - 120V - 2 Circuit / 2 Neutral*

Product	Finish
TEK41 - Dead End (Must be ordered separately)	1 - Aluminum
GES15 - Outlet Box Cover	2 - Black
	3 - White



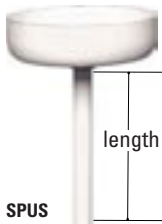
TEK41



GES15

Accessories for 20A Track - 120V - 2 Circuit / 2 Neutral*

Product	Length	Finish
SPUS - Stem Kit (Includes stem & canopy)	12 - 12"	1 - Aluminum
	18 - 18"	2 - Black
	24 - 24"	3 - White
	48 - 48"	



SPUS

Accessories for 20A Track - 120V - 2 Circuit / 2 Neutral*

Product	Finish
SP4P - Universal Stem Suspension Point. Also works with cable and threaded rod suspension. (Includes bracket and cover, stem not included.)	1 - Aluminum
SKB30 - Cable or Threaded Rod Mount Ceiling Cup	2 - Black
SKB34-5** - Cable (5 Feet)	3 - White
SKB34-10** - Cable (10 Feet)	
SKB34-16** - Cable (16 Feet)	
SKB12 - Cable or Threaded Rod Mount Clip (Threaded Rod by others.)	



SP4P



SKB --

***Note:** Max 4 ft. spacing intervals must be mounted in accordance with all applicable codes and standards.

Maximum weight load restrictions based on track head adapter and is 20 lbs.

****Note:** Cable may be field cut for shorter lengths.