

Project		Catalog #		Type	
Prepared by		Notes		Date	



PrentaLux

Unaro

Integral LED Light Engine
Statement Decorative

Typical Applications

• Office • Education • Healthcare • Hospitality • Retail • National Accounts



Filament only



damp location

Interactive Menu

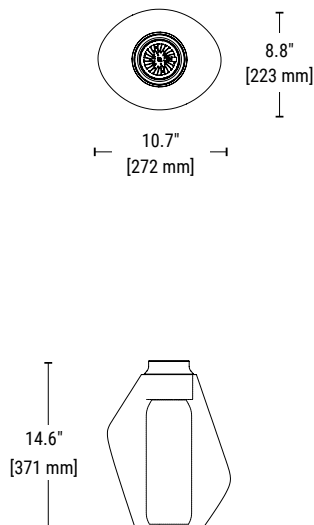
- Order Information [page 2](#)
- Product Specifications & Colors [page 3](#)
- Mounting [page 4](#)
- Photometric Data [page 5](#)
- Lumen/Wattage/LPW & UGR Data [page 5](#)

Top Product Features

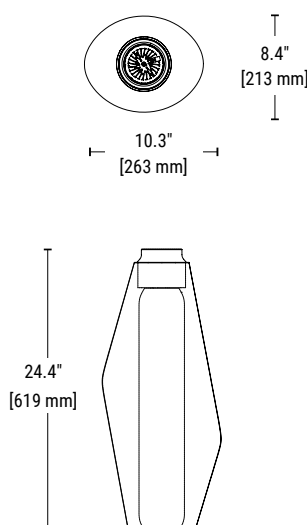
- The PrentaLux Architecture Research Office Series Pendants utilize Cooper Lighting Solutions proprietary 3D printing process.
- Integral LED light engine comes in 3 sizes with up to 8 output levels per size ranging from nominal 150 lms to 2700+ lms.
- 90+ CRI standard with 4 CCT options (2700K, 3000K, 3500K, 4000K).
- Universal Voltage (120-277V).
- 0-10V integral driver with dimming from 100% to 1%.
- 5-year limited warranty.

Dimensions

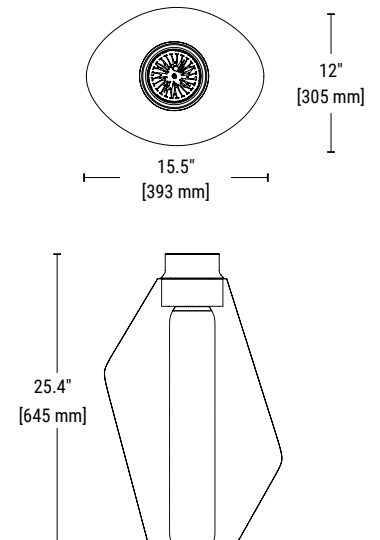
UNARO - SMALL



UNARO - MEDIUM



UNARO - LARGE



Order Information

SAMPLE CATALOG NUMBER: PRLX-UNA-M-927-06L-U-S-TRWH-NL-BRSS-C-W-DW

--	--	--	--	--	--

Domestic Preferences	Brand	Series	Fixture Size	CRI	Nominal Output (lms/W) ^{1, 2, 3}
[Blank] = Standard BAA = Buy American Act	PRLX	UNA = Unaro	S = Small M = Medium L = Large	927 = 90 CRI, 2700K 930 = 90 CRI, 3000K 935 = 90 CRI, 3500K 940 = 90 CRI, 4000K	Small* 02L = 250 Lumens/6.3W 05L = 500 Lumens/11.1W 07L = 750 Lumens/16.2W 09L = 1000 Lumens/21.3W 12L = 1200 Lumens/28.9W Medium* 01L = 150 lumens/6.3W 03L = 300 lumens/11.1W 04L = 450 lumens/16.2W 06L = 600 lumens/21.3W 07L = 700 lumens/28.9W Large** 02L = 250 lumens/5.6W 05L = 550 lumens/14.8W 09L = 900 lumens/22.6W 12L = 1250 lumens/30.5W 16L = 1600 lumens/38.8W 20L = 2000 lumens/48.6W 23L = 2350 lumens/58.2W 27L = 2700 lumens/69.4W
Notes	Notes	Notes	Notes	Notes	Notes
1. Only product configurations with this designated prefix are built to be compliant with the Buy American Act of 1933 (BAA). Please refer to DOMESTIC PREFERENCES website for more information. Components shipped separately may be separately analyzed under domestic preference requirements.					1. Only product configurations with this designated prefix 2. See Lumen Output tables on pages 5, 6, and 8 for output by optic, CCT and output level. * = Small and Medium Sizes uses small light engine ** = Large Size uses medium light engine

--	--	--	--

Voltage	Dimming	Shade Color	Shade Texture
U = Universal Voltage (120-277V)	S = 0-10V (dimming from 100% to 1%)	TRWH = Translucent White	NL = Natural Lines OW = Open Weave PS = Pinstripe
Notes	Notes	Notes	Notes
			1. Large Shade is only available in OW.

Accessories

--	--	--	--	--	--

Finial Color	Mounting Type	Power Cord/Stem Color	Rigid Stem Length	Canopy	Stem Kit
WHITE = White BLAK = Black GRAY = Gray ROSE = Rose CAPP = Cappuccino SAGE = Sage BRNZ = Bronze BRSS = Brass SLVR = Silver	C = Air Craft Cable R = Rigid Stem	[Blank] = Rigid Stem (ordered separately) W = White B = Black	[Blank] = Air Craft Cable Selected 36 = 36 inches 48 = 48 inches 96 = 96 inches	DW = Disk - White DB = Disk - Black DC = Disk - Matches Finial Color	3DPSTEMASY36WHT = 36" White Stem Kit 3DPSTEMASY48WHT = 48" White Stem Kit 3DPSTEMASY96WHT = 96" White Stem Kit 3DPSTEMASY36BLK = 36" Black Stem Kit 3DPSTEMASY48BLK = 48" Black Stem Kit 3DPSTEMASY96BLK = 96" Black Stem Kit
Notes	Notes	Notes	Notes	Notes	Notes
	1. Rigid stem kit must be ordered separately as an accessory as an accessory. See Accessories ordering information for stem accessory kit ordering codes.	1. Standard length of cord - 10ft [3050 mm]. Max available length is 25ft [7.62 m]. Consult factory for lengths longer than 10ft.	1. Rigid stem selection for wire length provided with fixture and canopy. Stem kit ordered separately.		1. Rigid stem must be ordered separately as an accessory.

Product Specifications

Construction

- PrentaLux Unaro consists of an integral LED light engine and a proprietary additive manufacturing process for the polycarbonate shade and components.
- Unaro shades utilize a proprietary, impact resistant polycarbonate for maximum durability.
- The polycarbonate used for PrentaLux fixtures is bio-circular and thermally, mechanically and optically optimized for professional/commercial installations. Designed, engineered, and printed in the United States.

Electrical

- Standard 0-10V driver (with dimming from 100% to 1%) integrated into the canopy (120/277V/50-60Hz).

LED & Light Engine

- Available in 2700K, 3000K, 3500K, and 4000K CCT.
- 90 CRI standard.
- Up to 8 lumen packages ranging from nominal 250 to 2700+ lumens. (subject to specific CCT and Light Level).

Driver

- Standard offering is 0-10V with 1% dimming.

Optics

- Inner diffuser and outer translucent white shade
- Polar plot and UGR data on pages 5, 6, & 8.

Environment

- Suited for 25° Celsius ambient. Suitable for damp locations.

Shielding

- Deep regress of light source inside the inner diffuser and outer shade creates excellent cutoff.

Colors & Textures

- Translucent white shade paired with choice of 9 standard finial and canopy colors.
- 3 shade texture options.
- On-Demand finial and canopy colors available with possible extended lead times and additional costs. Please consult factory.

Mounting

- Mounting options include 3D printed canopy, mounting hardware, and UL certified cord with aircraft cable or rigid stem.

Lengths

- Aircraft Cable mounting with 10ft cord. Lengths up to 25ft possible. (Consult factory as longer lead times apply).
- Standard rigid stem lengths are 36", 48" and 96". Rigid stem mounting comes with respective lengths of power and dimming wires with the fixture.

Weight

- All products are lightweight and much easier to install than traditional pendants.
- Weight does not include canopy or mounting.
- Small Unaro fixture weighs approximately 3 lbs.
- Medium Unaro fixture weighs approximately 4.4 lbs.
- Large Unaro fixture weighs approximately 6 lbs.

Warranty

- Standard five-year limited warranty on all parts. cooperlighting.com/legal.

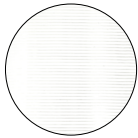
Compliance

- Components are UL recognized and luminaires are cULus listed for 25° C ambient environments. Damp Location listed.
- Filament material is UL certified.
- BAA compliant options available.
- RoHS compliant.
- ISCC certified (for 3D printed materials). PrentaLux products will convert to printing our 3D parts with over 75% recycled or bio-circular materials (using an ISCC certified mass balance approach). Bio-circular materials are raw materials from ISCC Plus certified waste streams and residues including tall oils from the wood processing industry or used cooking oil from the food processing industry.
- Not to be installed in food prep areas and hazardous environments which may expose the product to pollutants such as oil, grease, or VOCs.
- Not for installations in locations such as gymnasiums, arenas, sports complexes, multi-purpose rooms, and any other locations where the fixture potentially will be subject to impacts from external sources.

Sustainability Specifications

- PrentaLux 3D printed parts are produced with at least 75% recycled or bio-circular materials (using an ISCC certified mass balance approach).
- ISCC certified. Certification applies only to 3D printed material.

Shade Color

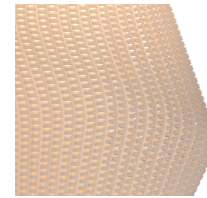


TRWH - Translucent White

Shade Textures



NL - Natural Lines



OW - Open Weave



PS - Pinstripe

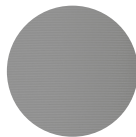
Standard Finial and Canopy Colors



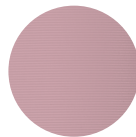
WHTE - White



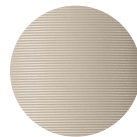
BLAK - Black



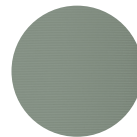
GRAY - Gray



ROSE - Rose



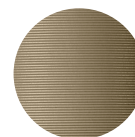
CAPP - Cappuccino



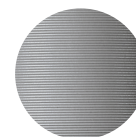
SAGE - Sage



BRNZ - Bronze



BRSS - Brass



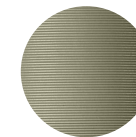
SLVR - Silver

On-Demand Colors

These additional color offerings for finial and canopy may have extended lead times and/or additional costs. Please consult factory.



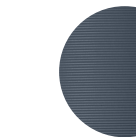
ENGR - Enamel Green



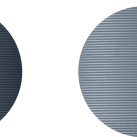
MEGR - Metallic Green



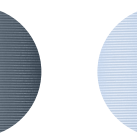
MCHA - Matcha



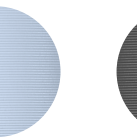
STBL - Steel Blue



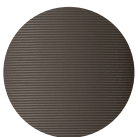
MEBL - Metallic Blue



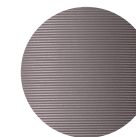
MYBL - Misty Blue



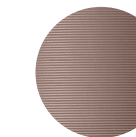
DKGY - Dark Gray



STBR - Stone Brown



MEPU - Metallic Purple



RGLD - Rose Gold



CITR - Citrona



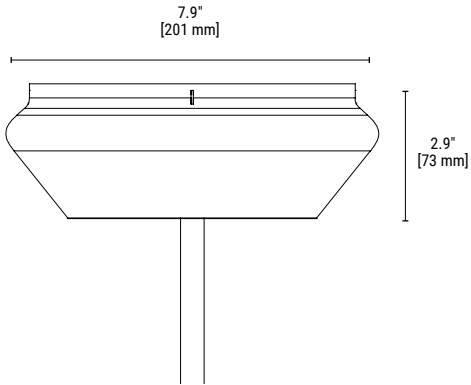
CRWH - Cream White



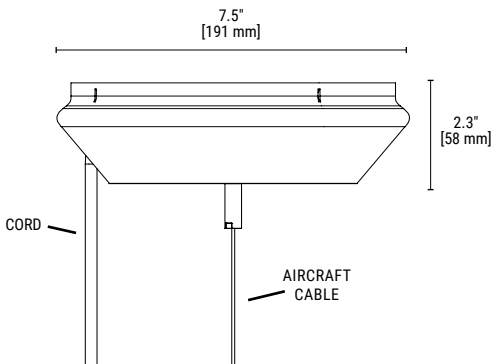
BURG - Burgundy

Mounting - Canopy Options

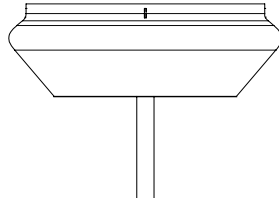
Rigid Stem Canopy



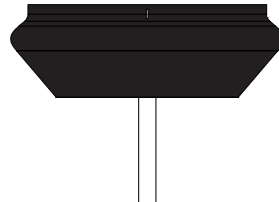
Aircraft Cable Canopy



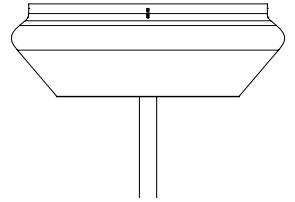
Canopy Colors



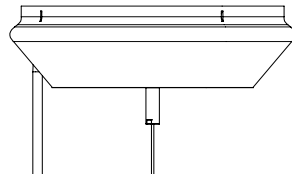
DW = Disk - White



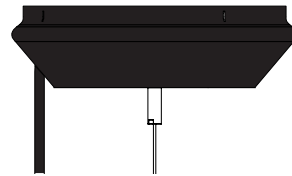
DB = Disk - Black



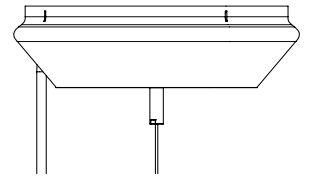
DC = Disk - Matches Finial Color



DW = Disk - White



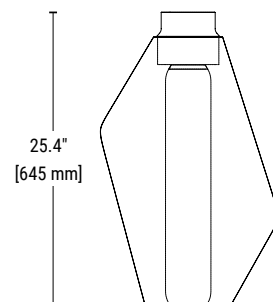
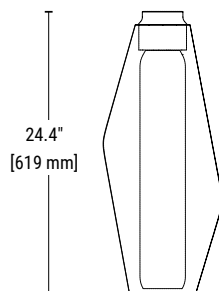
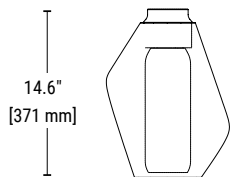
DB = Disk - Black



DC = Disk - Matches Finial Color

Diffuser

Shown in small, medium and large sizes.



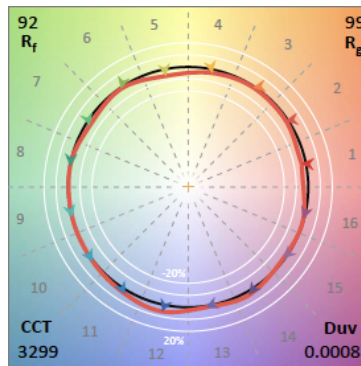
Photometric Data - Unaro - Small

PRENTALUX - UNARO - SMALL - @ 3500K / 90 CRI		
Light Level 12L		
Filename	PRLX-UNA-S-935-12L-U-OW.ies	
Test No.	P1245486	
Lumcat	PRLX-UNA-S-935-12L-U-OW	
Lumens	1221 Lm	
Input Watts	28.9 W	
Efficacy LPW	42.2 Lm/W	
CCT	3500K	
Spacing Criteria (0/90/45)	0.33 / 0.33 / 0.34	

Note: Refer to IES files for more product data.

Color Data (3500K)

		90CRI
TM-30	R _f	92.5
	R _g	98.6
CRI/CIE	R ₉	71.6



Lumen/Wattage/LPW Table - Unaro - Small

LUMEN Table per CRI, CCT, and Light Level			Nominal Lumens			WATTS (120V)	EFFICACY (Lm/W)		
CRI	CCT	LL	NL	RB	OW		NL	RB	OW
90	2700K	02L	195	220	227	6.3	31	35	36
		05L	408	459	474	11.1	37	41	43
		07L	597	673	695	16.2	37	42	43
		10L	766	863	890	21.3	36	41	42
		12L	959	1080	1115	28.9	33	37	39
	3000K	02L	207	233	241	6.3	33	37	38
		05L	432	487	503	11.1	39	44	45
		07L	633	713	736	16.2	39	44	45
		10L	812	914	944	21.3	38	43	44
		12L	1017	1145	1182	28.9	35	40	41
	3500K	02L	214	241	249	6.3	34	38	40
		05L	447	503	519	11.1	40	45	47
		07L	654	737	761	16.2	40	45	47
		10L	838	945	975	21.3	39	44	46
		12L	1050	1183	1221	28.9	36	41	42
	4000K	02L	222	250	258	6.3	35	40	41
		05L	463	522	539	11.1	42	47	49
		07L	678	764	789	16.2	42	47	49
		10L	870	980	1011	21.3	41	46	47
		12L	1089	1227	1266	28.9	38	42	44

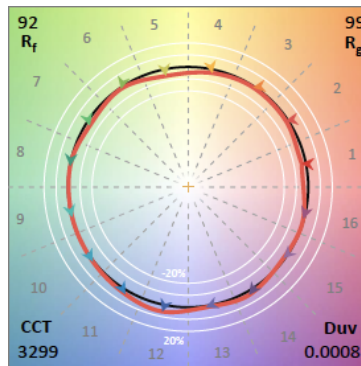
Photometric Data - Unaro - Medium

PRENTALUX - UNARO - MEDIUM - @ 3500K / 90 CRI		
Light Level 07L		
Filename	PRLX-UNA-M-935-07L-U-OW.ies	
Test No.	P1245426	
Lumcat	PRLX-UNA-M-935-07L-U-OW	
Lumens	723.1 Lm	
Input Watts	28.9 W	
Efficacy LPW	25 Lm/W	
CCT	3500K	
Spacing Criteria (0/90/45)	0.21 / 0.21 / 0.18	

Note: Refer to IES files for more product data.

Color Data (3500K)

		90CRI
TM-30	R _f	92.5
	R _g	98.6
CRI/CIE	R ₉	71.6



Lumen/Wattage/LPW Table - Unaro - Medium

LUMEN Table per CRI, CCT, and Light Level			Nominal Lumens			WATTS (120V)	EFFICACY (Lm/W)		
CRI	CCT	LL	NL	RB	OW		NL	RB	OW
90	2700K	01L	117	132	136	6.3	19	21	22
		03L	243	274	283	11.1	22	25	25
		04L	354	399	412	16.2	22	25	25
		06L	453	510	527	21.3	21	24	25
		07L	568	639	660	28.9	20	22	23
	3000K	01L	124	140	144	6.3	20	22	23
		03L	258	291	300	11.1	23	26	27
		04L	375	423	436	16.2	23	26	27
		06L	480	541	558	21.3	23	25	26
		07L	602	678	700	28.9	21	23	24
	3500K	01L	128	145	149	6.3	20	23	24
		03L	267	300	310	11.1	24	27	28
		04L	388	437	451	16.2	24	27	28
		06L	496	559	577	21.3	23	26	27
		07L	621	700	723	28.9	21	24	25
	4000K	01L	133	150	155	6.3	21	24	25
		03L	277	312	322	11.1	25	28	29
		04L	402	453	468	16.2	25	28	29
		06L	514	579	598	21.3	24	27	28
		07L	645	726	750	28.9	22	25	26

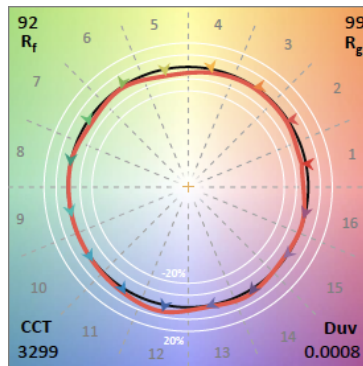
Photometric Data - Unaro - Large

PRENTALUX - UNARO - LARGE - @ 3500K / 90 CRI		
Light Level 27L		
Filename	PRLX-UNA-L-935-27L-U-OW.ies	
Test No.	P1245357	
Lumcat	PRLX-UNA-L-935-27L-U-OW	
Lumens	2714 Lm	
Input Watts	69.4 W	
Efficacy LPW	39.1 Lm/W	
CCT	3500K	
Spacing Criteria (0/90/45)	0.2 / 0.2 / 0.2	

Note: Refer to IES files for more product data.

Color Data (3500K)

		90CRI
TM-30	R _f	92.5
	R _g	98.6
CRI/CIE	R ₉	70.2



Lumen/Wattage/LPW Table - Unaro - Large

LUMEN Table per CRI, CCT, and Light Level			Nominal Lumens			WATTS (120V)	EFFICACY (Lm/W)		
CRI	CCT	LL	NL	RB	OW		NL	RB	OW
90	2700K	02L	192	216	223	5.6	34	39	40
		05L	427	481	497	14.8	29	33	34
		09L	715	805	831	22.6	32	36	37
		12L	984	1108	1144	30.5	32	36	38
		16L	1270	1430	1476	38.8	33	37	38
		20L	1570	1769	1826	48.6	32	36	38
		23L	1843	2076	2143	58.2	32	36	37
		27L	2131	2401	2478	69.4	31	35	36
	3000K	02L	203	229	237	5.6	36	41	42
		05L	453	510	527	14.8	31	34	36
		09L	758	854	881	22.6	34	38	39
		12L	1043	1175	1213	30.5	34	39	40
		16L	1346	1516	1565	38.8	35	39	40
		20L	1665	1876	1936	48.6	34	39	40
		23L	1954	2201	2272	58.2	34	38	39
		27L	2259	2546	2627	69.4	33	37	38
	3500K	02L	210	237	244	5.6	38	42	44
		05L	468	527	544	14.8	32	36	37
		09L	782	882	910	22.6	35	39	40
		12L	1077	1214	1253	30.5	35	40	41
		16L	1390	1566	1617	38.8	36	40	42
		20L	1720	1937	2000	48.6	35	40	41
		23L	2018	2274	2347	58.2	35	39	40
		27L	2334	2629	2714	69.4	34	38	39
	4000K	02L	218	246	254	5.6	39	44	45
		05L	485	547	564	14.8	33	37	38
		09L	812	914	944	22.6	36	40	42
		12L	1117	1259	1299	30.5	37	41	43
16L		1442	1625	1677	38.8	37	42	43	
20L		1784	2010	2074	48.6	37	41	43	
23L		2093	2358	2434	58.2	36	41	42	
27L		2421	2727	2815	69.4	35	39	41	