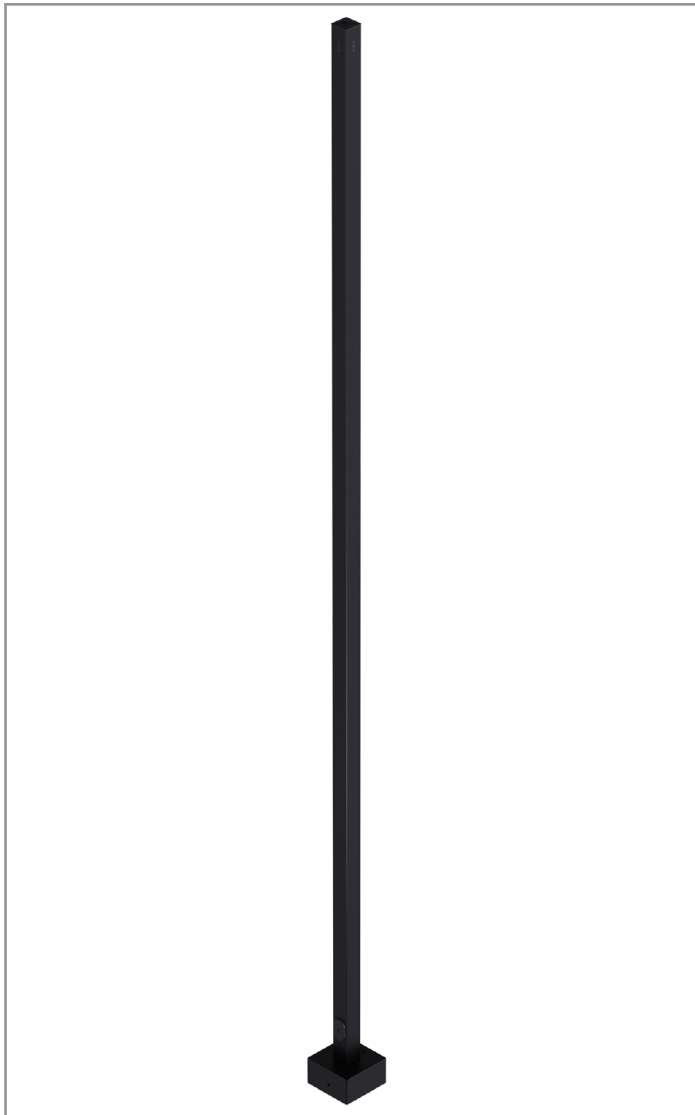


Project		Catalog #		Type	
Prepared by		Notes		Date	



# Cooper Poles

## Square Straight Steel - SSS

Anchor Base Installation

### Product Certifications & Features



### Base Cover



- 2-piece metal cover, painted to match pole
- Optional ABS cover, 3 basic finishes
- Corrosion resistant hardware

### Handhole



- Handhole Assembly, 3"x5", 14" minimum above base
- Grounding provision Included
- Extra handhole locations available
- Metal handhole cover, painted to match pole
- Optional ABS Handhole cover, 3 basic finishes
- Corrosion resistant hardware
- Optional vandal resistant mechanism

### Finish



BK - Black, Smooth



BZ - Bronze, Smooth

Featured Colors

- Highly durable TGIC polyester powder paint
- ASTM D3359 5B classification
- Optional hot-dipped galvanized pre-treat
- 10+ colors, custom finishes available

### Quick Facts

- Weldable grade carbon steel
- One-year limited warranty
- Fully galvanized anchor bolts & template included

### Interactive Menu

- Ordering Information [page 2](#)
- Base Plate Details [page 3](#)
- Mounting Type Details [page 4](#)
- Options Details [page 5](#)
- Certification & Additional Details [Page 7](#)
- EPA Data [page 8](#)
- Considerations [page 14](#)

### Domestic Preferences

BABA option supports both the USA Buy America (BAA) and Infrastructure Investment and Jobs Act (IIJA) domestic preference procurement requirements.

### Ordering Information

Sample Number: SSS-20-4-11-AB-N4-BK

Domestic Preference	Product Family	Mounting Height(ft) <sup>15</sup>		Shaft Size-Wall Thickness	Installation Type
Blank = None BABA = Build America, Buy America funding <sup>1</sup>	SSS = Square Straight Steel	5 = 5' 10 = 10' 12 = 12' 14 = 14' 15 = 15' 16 = 16' 18 = 18' 20 = 20' 22 = 22' 25 = 25' 27 = 27'	28 = 28' 30 = 30' 35 = 35' 37 = 37' 39 = 39'	4-11 = 4", 11ga (.120") <sup>6</sup> 4-7 = 4", 7ga (.188") <sup>7</sup> 5-11 = 5", 11ga (.120") <sup>7</sup> 5-7 = 5", 7ga (.188") 5-3 = 5", 3ga (.250") 6-11 = 6", 11ga (.120") 6-7 = 6", 7ga (.188") 6-3 = 6", 3ga (.250")	AB = Anchor Base Installation

Mounting Types	Pre-Finish	Finish	Options (Add as Suffix)
<b>[blank]</b> = no mounting defined <b>T23S</b> = 2-3/8" OD x 4" long tenon <b>T23L</b> = 2-3/8" OD x 6" long tenon <b>T300</b> = 3" OD x 4" long tenon <b>T350</b> = 3-1/2" OD x 5" long tenon <b>T40S</b> = 4" OD x 6" long tenon <b>T40L</b> = 4" OD x 10" long tenon <b>M1</b> = Single M-drilling <b>M2</b> = M-drilling, 2 at 180° <b>M3</b> = M-drilling, 3 at 90° <b>M4</b> = M-drilling, 4 at 90° <b>M5</b> = M-drilling, 2 at 90° <b>N1</b> = Single N-drilling <b>N2</b> = N-drilling, 2 at 180° <b>N3</b> = N-drilling, 3 at 90° <b>N4</b> = N-drilling, 4 at 90° <b>N5</b> = N-drilling, 2 at 90° <b>S13</b> = CLS Simplex fitting for 13" rise to support 2' arm <sup>8</sup> <b>S15</b> = CLS Simplex fitting for 15" rise to support 2.5' arm <sup>8</sup> <b>S19</b> = CLS Simplex fitting for 19" rise to support 4' arm <sup>8</sup> <b>S24</b> = CLS Simplex fitting for 24" rise to support 6' arm <sup>8</sup> <b>S30</b> = CLS Simplex fitting for 30" rise to support 7.5' arm <sup>8</sup> <b>S/[ABCD][z]</b> = simplex fitting mounted at custom location <sup>8,11,13</sup>	<b>[blank]</b> = none <b>GV</b> = Galvanized <sup>10</sup>	<b>[Blank]</b> = none <sup>9</sup> <b>WTS</b> = Summit White, smooth <b>WHT</b> = New White, textured <b>WH</b> = New White, smooth <b>TWS</b> = True White, smooth <b>BZ</b> = Bronze, smooth <b>BZT</b> = Bronze, textured <b>CB</b> = Carbon Bronze <b>DP</b> = Dark Platinum <b>GN</b> = Hartford Green <b>VGS</b> = Verde Green, smooth <b>VGT</b> = Verde Green, textured <b>SY</b> = Silver <b>GM</b> = Graphite Metallic <b>AP</b> = Grey <b>APT</b> = Grey, textured <b>BK</b> = Black, smooth <b>BT</b> = Black, textured <b>XX</b> = Custom color <sup>10</sup> <b>RALxxxx</b> = RAL####, smooth or textured <sup>10</sup>	<b>CO/[ABCD][z]</b> = Convenience Outlet less electrical <sup>11,12</sup> <b>ECO/[ABCD][z]</b> = Convenience Outlet with 20A GFCI plug 125V AC and in-use electrical cover (in hardware kit) <sup>11,12</sup> <b>ITC050/[ABCD][z]</b> = 1/2" coupling - internal thread <sup>11,13</sup> <b>ITC075/[ABCD][z]</b> = 3/4" coupling - internal thread <sup>11,13</sup> <b>ITC100/[ABCD][z]</b> = 1" coupling - internal thread <sup>11,13</sup> <b>ITC125/[ABCD][z]</b> = 1-1/4" coupling - internal thread <sup>11,13</sup> <b>ITC150/[ABCD][z]</b> = 1-1/2" coupling - internal thread <sup>11,13</sup> <b>ITC200/[ABCD][z]</b> = 2" coupling - internal thread <sup>11,13</sup> <b>ETC050/[ABCD][z]</b> = 1/2" coupling - external thread <sup>11,13</sup> <b>ETC075/[ABCD][z]</b> = 3/4" coupling - external thread <sup>11,13</sup> <b>ETC100/[ABCD][z]</b> = 1" coupling - external thread <sup>11,13</sup> <b>ETC125/[ABCD][z]</b> = 1-1/4" coupling - external thread <sup>11,13</sup> <b>ETC150/[ABCD][z]</b> = 1-1/2" coupling - external thread <sup>11,13</sup> <b>ETC200/[ABCD][z]</b> = 2" coupling - external thread <sup>11,13</sup> <b>EHH/[ABCD][z]</b> = Extra Handhole with grounding provision <sup>11</sup> <b>VDF</b> = Vibration Dampener - Factory Installed for 2nd mode vibration <b>INT</b> = Interior coating (8 feet from base inside pole; 3 mils of epoxy or "tar") <b>ABS</b> = ABS Base Cover & handhole cover (black, bronze, or white - closest match to chosen finish) <b>TR</b> = Tamper Resistant handhole cover(s) <b>CMB-A/[ABCD][z]</b> = Camera Mounting Bracket "A" with 1/2" hole <sup>11</sup> <b>BMODxxxx</b> = Base Modification (where xxxx is reference number) <sup>10</sup> <b>UL</b> = UL listed with label (includes NEC) <b>CSA</b> = CSA listed with label <b>DP1</b> = DuraPro Level 1 extended corrosion resistance premium finish <b>DP3</b> = DuraPro Level 3 extended corrosion resistance premium pre-treatment & finish <sup>14</sup> <b>L/AB</b> = Less Anchor Bolts and template <b>EAB</b> = Anchor Bolts and Template Shipped Early

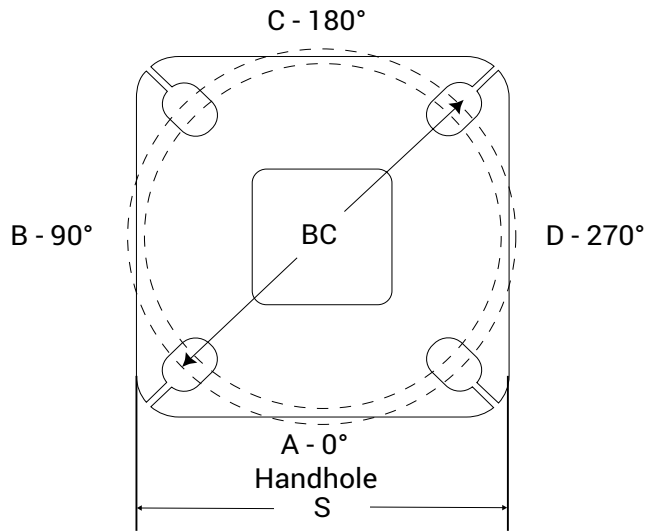
- NOTES:**
- Only product configurations with this prefix are built to be compliant with the Buy American Act of 1933 (BAA) or the Buy America Build America Act (BABA). BABA is the minimum government compliance requirement for the Buy America Build America standards which is part of the Infrastructure and Investment Jobs Act (IIJA). Individual government agencies may have more stringent compliance standards. Please refer to the [DOMESTIC PREFERENCES](#) website or consult the CLS Domestic Preferences team for more information. Components shipped separately may be separately analyzed under domestic preference requirements.
  - Up to 30" mounting height
  - Up to 35" mounting height
  - CLS Simplex arm ordered separately. See page 4 for details.
  - Available only with galvanized pre-finish.
  - Requires approval. Additional lead times may apply
  - Specify quadrant A, B, C, or D using mounting details, pg. 3. Specify height [z] in inches (min = 12" above base. Max = 6" below pole mounting height). Consult factory for exceptions
  - When location not specified by "[ABCD][z]", the default location will be A48 (same side as handhole, 4-feet from base).
  - Specify each one required, maximum of 4, with it's [ABCD][z] location.
  - Requires -GV = Galvanization option.
  - Refer to EPA tables for published size, lengths, and wall thicknesses. Shorter length available in 1/2-foot increments.

#### Accessories (Order Separately)<sup>1</sup>

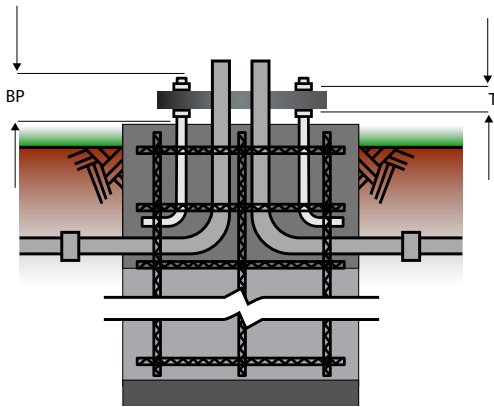
- BCP-SSS-xxxxxx = premium 2pc metal base cover<sup>2</sup>
- HCP-SSS-xxxxxx = premium metal handhole cover<sup>2</sup>
- BCABS-SSS-xxxxxx = 2pc ABS base cover (BK, BZ, or WH finish)<sup>2</sup>
- HCABS-SSS-xxxxxx = ABS handhole cover (BK, BZ, or WH finish)<sup>2</sup>
- VDF-SSS-xx = vibration dampener<sup>3</sup>
- ABKIT-SSS-xxxx-STD = Anchor Bolt Kit and template<sup>4</sup>
- PTC-SSS-xxxx = Pole cap assembly, ABS smooth black<sup>4</sup>
- GRD-KIT = Electrical grounding kit
- DRL-PLUG-KIT-xxxx = drill plugs, painted to match pole finish<sup>5</sup>

- NOTES:**
- Add "BABA" as prefix for BABA-compliant accessories
  - xxxxxx = shaft size, wall thickness, and finish (ex. BCP-SSS-4-11-GM or BCABS-SSS-4-11-BZ)
  - xx = mounting height (ex. VDF-SSS-20)
  - xxxx = shaft size and wall thickness (ex. ABKIT-SSS-4-11-STD, PTC-SSS-4-11)
  - xxxx = Drill pattern and finish (ex. DRL-PLUG-KIT-N4-BZ)

### Mounting Plate Details



A/B/C/D denote pole quadrants. Handhole always at 'A' or 0°



**NOTE:**  
If custom base option required, please specify BMODxxxx option and provide drawing. Approval required, additional lead times may apply. Premium metal base cover included.

Shaft size & gauge	Base Size		Anchor Bolt Details <sup>1</sup>		
	Square Size (S)	Thickness (T)	Bolt Circle (BC)	Bolt Size	Bolt projection (BP)
4-11, & 4-7	8	0.75	8.5	.75 x 17 x 3	3.0 - 3.5
5-11	11	0.75	11	.75 x 17 x 3	3.0 - 3.5
5-7 & 5-3	11	1	11	1 x 36 x 4	3.5 - 4.0
6-11, 6-7, & 6-3	11.5	1	11.5	1 x 36 x 4	3.5 - 4.0

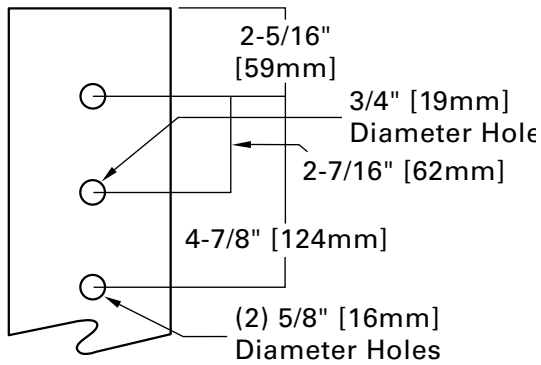
**NOTES:**

Dimensions in inches

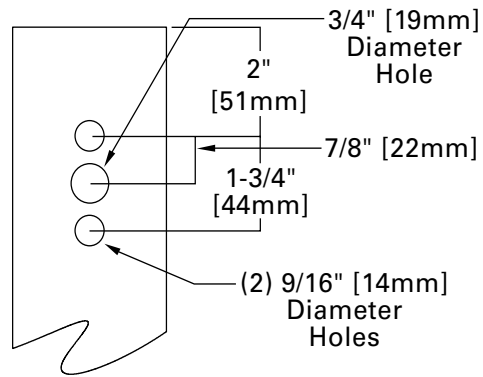
1. Anchor Bolts and template included.

### Drill Pattern Details

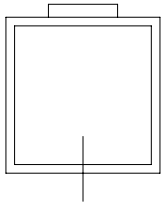
#### TYPE "M"



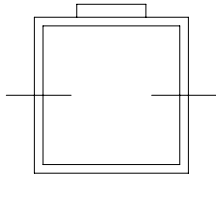
#### TYPE "N"



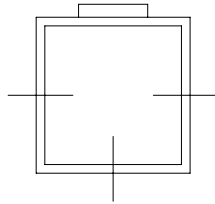
Single  
M1, N1



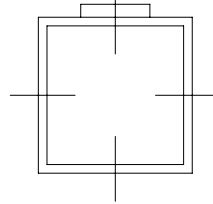
2 at 180°  
M2, N2



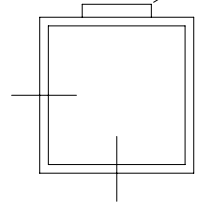
3 at 90°  
M3, N3



4 at 90°  
M4, N4



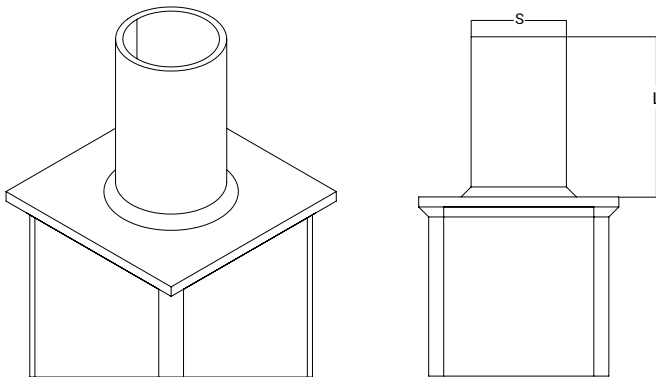
2 at 90°  
M5, N5



Denotes  
handhole  
location

### Tenon Adapter Details

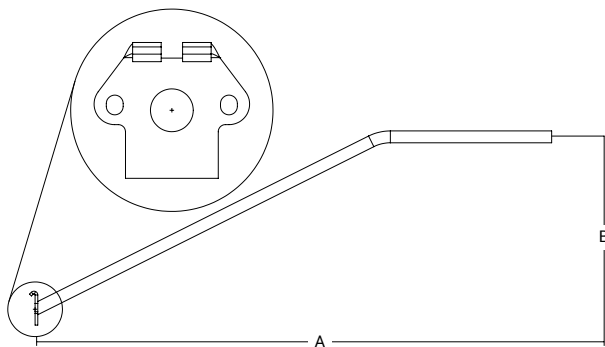
Welded to top of pole with .25" thick plate



Tenon Adapter	Shaft Size - S (in.)	Length - L (in.)
T23S	2-3/8"	4"
T23L	2-3/8"	6"
T300	3"	4"
T350	3.5"	5"
T40S	4"	6"
T40L	4"	10"

### CLS Simplex Fitting Details

Simplex fitting welded to pole to match simplex-ready arms. Positioning on pole based on preferred arm length and rise.



Arm with simplex-capable plate (shown as reference)

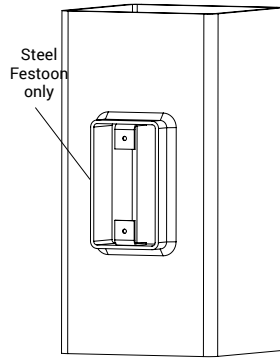
Simplex Option	Arm Catalog Number <sup>1</sup>	Arm Length - A	Arm Rise - B <sup>2</sup>
S13	P200S020SX	2'	13"
S15	P200S026SX	2.5'	15"
S19	P200S040SX	4'	19"
S24	P200S060SX	6'	24"
S30	P200S080SX	7.5'	30"

**NOTE:**

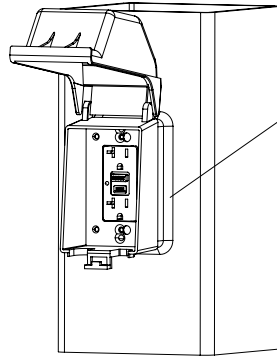
- "P" series steel arm for steel poles with simplex fitting. Default is galvanized. Add finish to end of CAT logic to match pole. (ex. P200S020SXBK). Order separately.
- Simplex fitting will be located below pole top by amount shown. Luminaire mounting height will match height of pole on order.

### Convenience Outlet Details

Steel provision welded to pole for use with GFCI, duplex, and single receptacles.



CO/[ABCD][z] - Convenience Outlet  
Less Electrical <sup>1,2</sup>



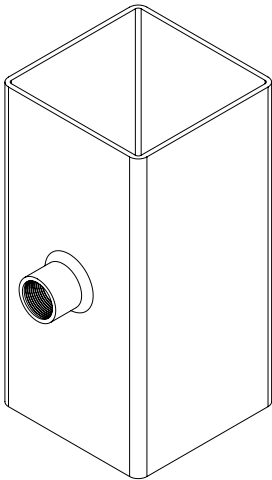
ECO/[ABCD][z] - Convenience Outlet  
with 20A GFCI <sup>1,2</sup>

**NOTES:**

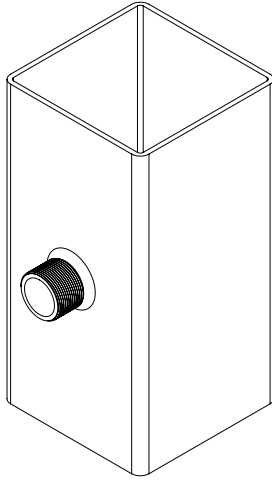
1. Specify quadrant A, B, C, or D using mounting details, pg. 3. Specify height [z] in inches (Min = 12" above base. Max = 6" below pole mounting height). Consult factory for exceptions
2. When location not specified by "[ABCD][z]", the default location will be A48 (same side as handhole, 4-feet from base).

### Couplings (Internal & External Threads) Details

Steel provision welded to pipe for additional luminaire/accessory mounting needs.



Internal thread coupling <sup>1,2</sup>



External thread coupling <sup>1,2</sup>

Internal Coupling	Length (in.)	OD (in.)	ID
ITC050	1.56"	1.07"	1/2" NPT
ITC075	1.63"	1.32"	3/4" NPT
ITC100	2.00"	1.59"	1" NPT
ITC125	2.06"	1.91"	1-1/4" NPT
ITC150	2.06"	2.21"	1-1/2" NPT
ITC200	3.13"	2.76"	2" NPT

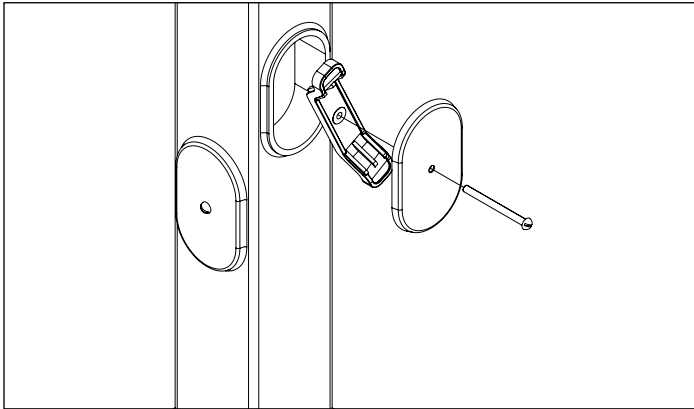
External Coupling	Length (in.)	OD	ID (in.)
ETC050	1.13"	1/2" NPT	.62"
ETC075	1.38"	3/4" NPT	.82"
ETC100	1.50"	1" NPT	1.05"
ETC125	1.63"	1-1/4" NPT	1.38"
ETC150	1.75"	1-1/2" NPT	1.61"
ETC200	2.00"	2" NPT	2.07"

**NOTES:**

1. Specify quadrant A, B, C, or D using mounting details, pg. 3. Specify height [z] in inches (Min = 12" above base. Max = 6" below pole mounting height). Consult factory for exceptions.
2. Specify each one required, maximum of 4, with it's [ABCD][z] location.

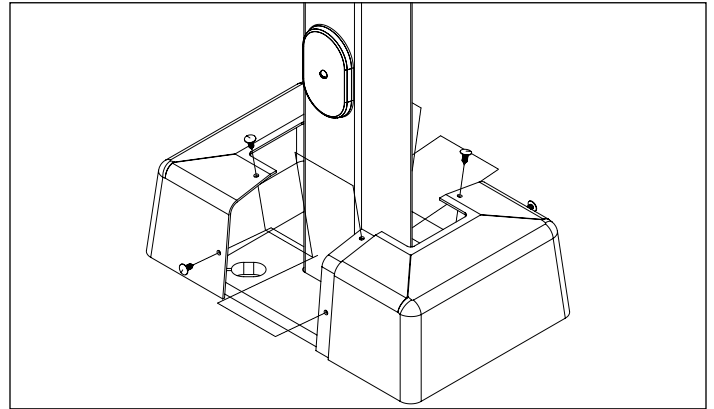
### Extra Handhole with Cover Details

Additional handhole and cover with hardware (specify pole quadrant and height in CAT logic selection)



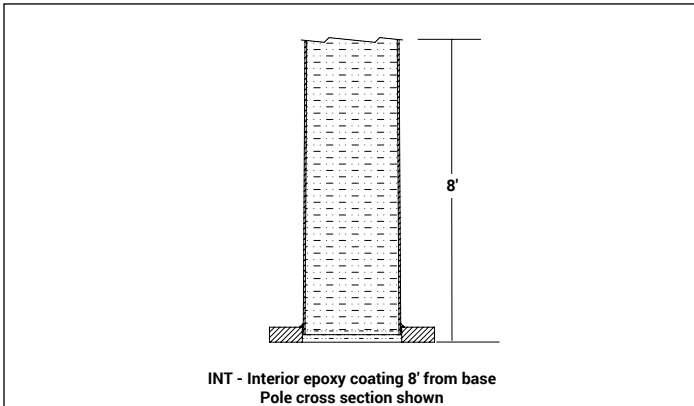
### 2-Piece Base Cover Details

2-Piece ABS Plastic Base Cover with Press-in ABS Hardware (offered in Bronze, Black, and White only – color may not exactly match the specified pole)



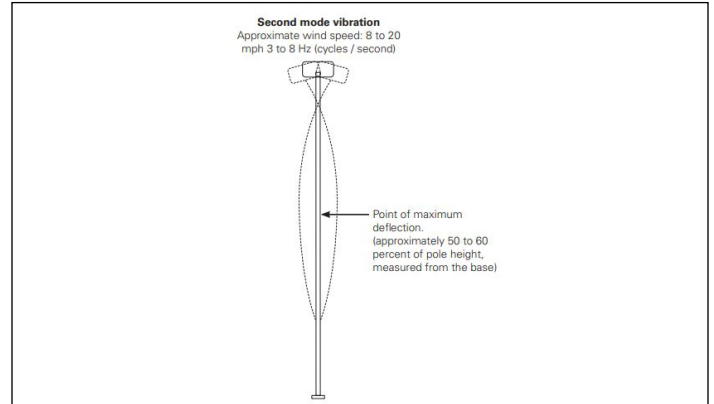
### Internal Coating Details

8 feet maximum from base inside pole; 3 mils of epoxy or "tar"



### Vibration Dampener Details

Factory installed for minimizing 2nd mode vibration <sup>1</sup>

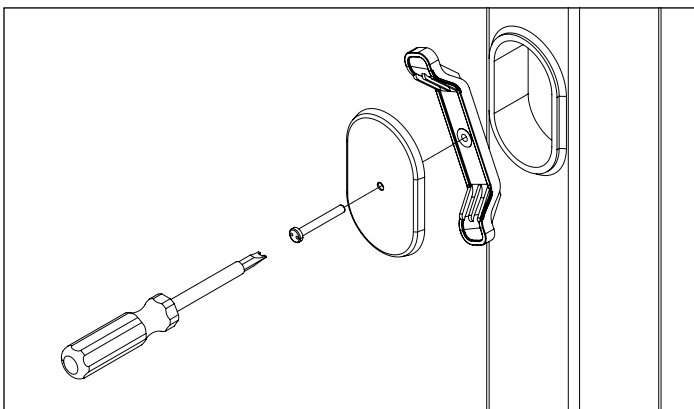


**NOTES:**

1. CLS employs a factory-installed chain dampener encased in plastic tubing. For details on vibration mitigation, please see CLS White Paper [WP513001EN](#)

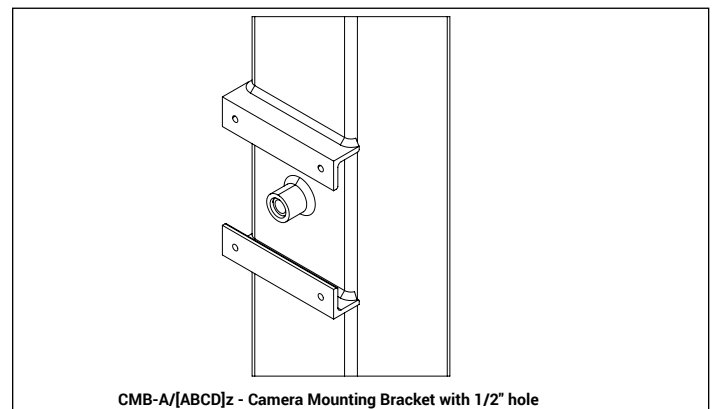
### Tamper Resistant Handhole Cover Details

Handhole cover with included tamper-resistant fastener and screwdriver



### Camera Mounting Bracket Details



Welded bracket provision for camera mounting



**NOTES:**

1. Specify quadrant A, B, C, or D using mounting details, pg. 3. Specify height [z] in inches.
2. Drill pattern matches Axis® TQ5001-E pole mount for M55, P56, and Q60 cameras. Stainless steel 1/4-20 bolts with nylon lock nut recommended.
3. For any other camera application, please specify via drawing. Additional lead-times may apply.

### Certification Details

Certification	Description
	CSA: CSA® listed with label
	UL: UL® listed with label (includes NEC)

### Finish Options

Finish	Description
<b>DP1</b>	DuraPro Level 1 -- Premium finish minimizes corrosion risk, extends finish life, and improves adhesion
<b>DP3</b>	DuraPro Level 3 -- Galvanization after fabrication plus premium finish provides superior corrosion resistance, adhesion, and extended finish life

### Anchor Bolt Shipping Options (Add as suffix)

Standard Kits = 4 fully galvanized anchor bolts, 8 galvanized nuts & washers, and template

Option	Description
<b>L/AB</b>	Less Anchor Bolts and Template Kit <i>Ex. SSS-10-4-11-AB-BK-L/AB</i>
<b>EAB</b>	Anchor Bolts and Template Kit Shipped Early (Supports starting the foundation quickly) <i>Ex. SSS-10-4-11-AB-BK-EAB</i>

### Additional Services Offered

Services are offered to support the engineering and design community when required.

Service	Description
<b>DSGN-FOUNDATION-[XX]</b> <sup>1,3</sup>	Foundation Design; per pole type, per revision
<b>DSGN-PE-POLE-[XX]</b> <sup>1</sup>	Professional Engineering Stamped Drawings; per pole type, per revision
<b>DSGN-POLE-CALCULATIONS</b> <sup>2</sup>	Pole Calculations; per pole type, per revision
<b>DSGN-POLE-SUBMITTALS</b> <sup>2</sup>	Pole submittal Drawings; per pole type per revision

**NOTES:**

1. XX to be replaced by state abbreviation (EX. DSGN-FOUNDATION-GA).
2. Original and first revision free of charge.
3. Available only in AL, AR, CT, FL, GA, IA, KS, KY, MA, MI, MN, NC, ND, NE, NV, PA, SC, SD, TN, TX, WA, WI, and WY

### AASHTO Certification Data

#### ASCE 7-93 EPA [SQ. FT] WITH 1.3 GUST (COMMONLY USED STANDARDS) <sup>1, 2, 3, 4</sup>

Catalog Number	80 MPH		90 MPH		100 MPH		110 MPH	
	Max EPA (sq. ft)	Max Fixture Load (lb)	Max EPA (sq. ft)	Max Fixture Load (lb)	Max EPA (sq. ft)	Max Fixture Load (lb)	Max EPA (sq. ft)	Max Fixture Load (lb)
SSS-5-4-11-AB	56.05	1401.25	44.07	1101.75	35.51	887.75	29.17	729.25
SSS-10-4-11-AB	26.53	663.25	20.54	513.5	16.25	406.25	13.08	327
SSS-10-4-7-AB	37.15	928.75	28.93	723.25	23.05	576.25	18.7	467.5
SSS-10-5-11-AB	37.51	937.75	29.11	727.75	23.1	577.5	18.65	466.25
SSS-10-5-7-AB	72.19	1804.75	56.51	1412.75	45.28	1132	36.98	924.5
SSS-10-6-11-AB	51	1275	39.65	991.25	31.54	788.5	25.54	638.5
SSS-15-4-11-AB	12.61	315.25	9.42	235.5	7.14	178.5	5.45	136.25
SSS-15-4-7-AB	18.33	458.25	13.94	348.5	10.8	270	8.48	212
SSS-15-5-11-AB	18.1	452.5	13.63	340.75	10.42	260.5	8.05	201.25
SSS-15-5-7-AB	36.66	916.5	28.29	707.25	22.3	557.5	17.86	446.5
SSS-15-5-3-AB	45.78	1144.5	35.49	887.25	28.13	703.25	22.69	567.25
SSS-15-6-11-AB	24.93	623.25	18.88	472	14.56	364	11.36	284
SSS-15-6-7-AB	47.35	1183.75	36.6	915	28.91	722.75	23.22	580.5
SSS-15-6-3-AB	49.61	1240.25	3838	95950	30.36	759	24.41	610.25
SSS-20-4-11-AB	7.28	182	4.9	122.5	3.2	80	1.94	48.5
SSS-20-4-7-AB	11.65	291.25	8.36	209	6	150	4.25	106.25
SSS-20-5-11-AB	10.88	272	7.53	188.25	5.14	128.5	3.37	84.25
SSS-20-5-7-AB	24.77	619.25	18.51	462.75	14.03	350.75	10.71	267.75
SSS-20-5-3-AB	31.72	793	24	600	18.48	462	14.39	359.75
SSS-20-6-11-AB	15.48	387	10.95	273.75	7.72	193	5.32	133
SSS-20-6-7-AB	32.37	809.25	24.3	607.5	18.53	463.25	14.26	356.5
SSS-20-6-3-AB	32.41	810.25	24.33	608.25	18.55	463.75	14.28	357
SSS-25-4-11-AB	3.57	89.25	1.68	42	0.34	8.5	N/A	N/A
SSS-25-4-7-AB	7.16	179	4.52	113	2.63	65.75	1.23	30.75
SSS-25-5-11-AB	5.91	147.75	3.25	81.25	1.35	33.75	N/A	N/A
SSS-25-5-7-AB	16.97	424.25	11.99	299.75	8.42	210.5	5.78	144.5
SSS-25-5-3-AB	22.69	567.25	16.5	412.5	12.08	302	8.81	220.25
SSS-25-6-11-AB	9.05	226.25	5.45	136.25	2.87	71.75	0.96	24
SSS-25-6-7-AB	22.66	566.5	16.2	405	11.58	289.5	8.16	204

\*Continued on next page

Catalog Number	80 MPH		90 MPH		100 MPH		110 MPH	
	Max EPA (sq. ft)	Max Fixture Load (lb)	Max EPA (sq. ft)	Max Fixture Load (lb)	Max EPA (sq. ft)	Max Fixture Load (lb)	Max EPA (sq. ft)	Max Fixture Load (lb)
SSS-25-6-3-AB	22.7	567.5	16.23	405.75	11.6	290	8.18	204.5
SSS-30-4-11-AB	0.56	14	N/A	N/A	N/A	N/A	N/A	N/A
SSS-30-4-7-AB	3.37	84.25	1.37	34.25	N/A	N/A	N/A	N/A
SSS-30-5-11-AB	1.83	45.75	N/A	N/A	N/A	N/A	N/A	N/A
SSS-30-5-7-AB	10.14	253.5	6.39	159.75	3.71	92.75	1.73	43.25
SSS-30-5-3-AB	14.63	365.75	9.95	248.75	6.59	164.75	4.11	102.75
SSS-30-6-11-AB	3.7	92.5	0.98	24.5	N/A	N/A	N/A	N/A
SSS-30-6-7-AB	14.1	352.5	9.2	230	5.7	142.5	3.11	77.75
SSS-30-6-3-AB	14.13	353.25	9.23	230.75	13.63	340.75	3.12	78
SSS-35-4-7-AB	0.66	16.5	N/A	N/A	N/A	N/A	N/A	N/A
SSS-35-5-11-AB	N/A	N/A	N/A	N/A	N/A	N/A	N/A	N/A
SSS-35-5-7-AB	5.71	142.75	2.54	63.5	0.27	6.75	N/A	N/A
SSS-35-5-3-AB	9.75	243.75	5.73	143.25	2.86	71.5	N/A	N/A
SSS-35-6-11-AB	N/A	N/A	N/A	N/A	N/A	N/A	N/A	N/A
SSS-35-6-7-AB	8.74	218.5	4.53	113.25	1.53	38.25	N/A	N/A
SSS-35-6-3-AB	4.56	114	4.56	114	1.55	38.75	N/A	N/A
SSS-39-5-7-AB	2.67	66.75	N/A	N/A	N/A	N/A	N/A	N/A
SSS-39-5-3-AB	6.47	161.75	2.86	71.5	0.28	7	N/A	N/A
SSS-39-6-11-AB	N/A	N/A	N/A	N/A	N/A	N/A	N/A	N/A
SSS-39-6-7-AB	5.1	127.5	1.33	33.25	N/A	N/A	N/A	N/A
SSS-39-6-3-AB	5.13	128.25	1.35	33.75	N/A	N/A	N/A	N/A

**NOTES:**

1. Maximum weight based on 25 pounds per square foot of EPA. Weights lower than maximum will result in higher EPA values.
2. EPAs based on shaft properties with wind normal to flat. EPAs calculated using base wind velocity as indicated plus 30% gust factor.
3. For pole heights that are not shown, use the values for taller poles.
4. The Cooper Lighting Solutions on-line configurator has detailed maximum EPA and weight to refine the design.

### LATEST FLORIDA BUILDING CODES & AASHTO STANDARDS EPA [SQ. FT] (WITH 3SEC GUST) - 100 LBS FIXTURE LOAD <sup>1, 2, 3, 4</sup>

Catalog Number	90 MPH		100 MPH		110 MPH		120 MPH		130 MPH		140 MPH		150 MPH		160 MPH		170 MPH		180 MPH	
	Max EPA (sq. ft)	Max Fixture Load (lb)	Max EPA (sq. ft)	Max Fixture Load (lb)	Max EPA (sq. ft)	Max Fixture Load (lb)	Max EPA (sq. ft)	Max Fixture Load (lb)	Max EPA (sq. ft)	Max Fixture Load (lb)	Max EPA (sq. ft)	Max Fixture Load (lb)	Max EPA (sq. ft)	Max Fixture Load (lb)	Max EPA (sq. ft)	Max Fixture Load (lb)	Max EPA (sq. ft)	Max Fixture Load (lb)	Max EPA (sq. ft)	Max Fixture Load (lb)
SSS-5-4-11-AB	127.02	100	102.58	100	84.49	100	70.74	100	60.03	100	51.54	100	44.69	100	39.08	100	34.43	100	30.53	100
SSS-10-4-11-AB	61.63	100	49.38	100	40.32	100	33.43	100	28.07	100	23.81	100	20.38	100	17.57	100	15.24	100	13.29	100
SSS-10-4-7-AB	61.96	100	49.71	100	40.65	100	33.75	100	28.39	100	24.13	100	20.69	100	17.88	100	15.55	100	13.6	100
SSS-10-5-11-AB	78.71	100	62.86	100	51.13	100	42.22	100	35.28	100	29.77	100	25.33	100	21.69	100	18.68	100	16.15	100
SSS-10-5-7-AB	146.17	100	117.51	100	96.3	100	80.17	100	67.61	100	57.65	100	49.62	100	43.04	100	37.59	100	33.02	100
SSS-10-6-11-AB	159.23	100	127.97	100	104.84	100	87.25	100	73.56	100	62.7	100	53.93	100	46.76	100	40.82	100	35.83	100
SSS-15-4-11-AB	38.77	100	30.6	100	24.56	100	19.96	100	16.38	100	13.54	100	11.25	100	9.38	100	7.82	100	6.52	100
SSS-15-4-7-AB	39.26	100	31.08	100	25.03	100	20.43	100	16.85	100	14.01	100	11.72	100	9.84	100	8.28	100	6.98	100
SSS-15-5-11-AB	50.16	100	39.58	100	31.76	100	25.8	100	21.17	100	17.5	100	14.53	100	12.1	100	10.09	100	8.41	100
SSS-15-5-7-AB	95.62	100	76.49	100	62.34	100	51.58	100	43.2	100	36.55	100	31.19	100	26.8	100	23.16	100	20.11	100
SSS-15-5-3-AB	96.13	100	76.98	100	62.82	100	52.05	100	43.67	100	37.02	100	31.65	100	27.26	100	23.62	100	20.57	100
SSS-15-6-11-AB	103	100	82.14	100	66.71	100	54.97	100	45.83	100	38.58	100	32.73	100	27.95	100	23.98	100	20.66	100
SSS-15-6-7-AB	98.96	100	78.95	100	64.15	100	52.89	100	44.13	100	37.18	100	31.57	100	26.98	100	23.17	100	19.98	100
SSS-15-6-3-AB	99.48	100	79.46	100	64.64	100	53.38	100	44.61	100	37.65	100	32.04	100	27.44	100	23.64	100	20.45	100
SSS-20-4-11-AB	25.09	100	19.31	100	15.03	100	11.78	100	9.25	100	7.24	100	5.62	100	4.29	100	3.2	100	2.27	100
SSS-20-4-7-AB	25.69	100	19.9	100	15.62	100	12.37	100	9.83	100	7.82	100	6.2	100	4.87	100	3.77	100	2.85	100
SSS-20-5-11-AB	32.44	100	24.96	100	19.42	100	15.21	100	11.93	100	9.33	100	7.23	100	5.52	100	4.09	100	2.9	100
SSS-20-5-7-AB	64.85	100	51.31	100	41.3	100	33.69	100	27.76	100	23.06	100	19.26	100	16.16	100	13.58	100	11.43	100
SSS-20-5-3-AB	65.46	100	51.92	100	41.9	100	34.28	100	28.34	100	23.64	100	19.84	100	16.73	100	14.16	100	12	100
SSS-20-6-11-AB	69.1	100	54.35	100	43.43	100	35.12	100	28.66	100	23.53	100	19.4	100	16.01	100	13.21	100	10.85	100
SSS-20-6-7-AB	66.51	100	52.35	100	41.88	100	33.91	100	27.72	100	22.8	100	18.83	100	15.58	100	12.89	100	10.63	100
SSS-20-6-3-AB	67.14	100	52.97	100	42.49	100	34.51	100	28.31	100	23.38	100	19.41	100	16.16	100	13.47	100	11.21	100
SSS-25-4-11-AB	16.74	100	12.33	100	9.06	100	6.58	100	4.64	100	3.11	100	1.87	100	0.86	100	0.02	100	N/A	100
SSS-25-4-7-AB	17.46	100	13.04	100	9.77	100	7.29	100	5.35	100	3.81	100	2.58	100	1.56	100	0.72	100	0.02	100
SSS-25-5-11-AB	21.63	100	15.91	100	11.68	100	8.47	100	5.96	100	3.98	100	2.37	100	1.06	100	N/A	100	N/A	100
SSS-25-5-7-AB	46.64	100	36.3	100	28.65	100	22.84	100	18.31	100	14.72	100	11.82	100	9.45	100	7.48	100	5.83	100
SSS-25-5-3-AB	47.37	100	37.02	100	29.37	100	23.54	100	19.01	100	15.42	100	12.52	100	10.14	100	8.18	100	6.53	100
SSS-25-6-11-AB	49.05	100	37.62	100	29.28	100	22.94	100	18	100	14.09	100	10.93	100	8.34	100	6.2	100	4.4	100
SSS-25-6-7-AB	47.18	100	36.37	100	28.37	100	22.28	100	17.55	100	13.79	100	10.76	100	8.27	100	6.22	100	4.5	100

\*Continued on next page

Catalog Number	90 MPH		100 MPH		110 MPH		120 MPH		130 MPH		140 MPH		150 MPH		160 MPH		170 MPH		180 MPH	
	Max EPA (sq. ft)	Max Fixture Load (lb)	Max EPA (sq. ft)	Max Fixture Load (lb)	Max EPA (sq. ft)	Max Fixture Load (lb)	Max EPA (sq. ft)	Max Fixture Load (lb)	Max EPA (sq. ft)	Max Fixture Load (lb)	Max EPA (sq. ft)	Max Fixture Load (lb)	Max EPA (sq. ft)	Max Fixture Load (lb)	Max EPA (sq. ft)	Max Fixture Load (lb)	Max EPA (sq. ft)	Max Fixture Load (lb)	Max EPA (sq. ft)	Max Fixture Load (lb)
SSS-25-6-3-AB	47.93	100	37.1	100	29.09	100	23	100	18.26	100	14.5	100	11.46	100	8.98	100	6.92	100	5.19	100
SSS-30-4-11-AB	10.96	100	7.42	100	4.8	100	2.8	100	1.25	100	0.02	100	N/A	100	N/A	100	N/A	100	N/A	100
SSS-30-4-7-AB	11.81	100	8.26	100	5.64	100	3.64	100	2.09	100	0.85	100	N/A	100	N/A	100	N/A	100	N/A	100
SSS-30-5-11-AB	14.14	100	9.55	100	6.16	100	3.57	100	1.56	100	N/A	100	N/A	100	N/A	100	N/A	100	N/A	100
SSS-30-5-7-AB	34.47	100	26.17	100	20.03	100	15.37	100	11.73	100	8.85	100	6.52	100	4.62	100	3.04	100	1.72	100
SSS-30-5-3-AB	35.32	100	27.02	100	20.87	100	16.2	100	12.56	100	9.68	100	7.35	100	5.44	100	3.86	100	2.54	100
SSS-30-6-11-AB	35.26	100	26.21	100	19.52	100	14.43	100	10.47	100	7.33	100	4.8	100	2.72	100	1	100	N/A	100
SSS-30-6-7-AB	34.16	100	25.48	100	19.06	100	14.18	100	10.37	100	7.36	100	4.93	100	2.93	100	1.28	100	N/A	100
SSS-30-6-3-AB	35.03	100	26.34	100	19.91	100	15.1	100	11.21	100	8.19	100	5.75	100	3.76	100	2.11	100	N/A	100
SSS-35-4-7-AB	3.7	100	1.2	100	N/A	100	N/A	100	N/A	100	N/A	100	N/A	100	N/A	100	N/A	100	N/A	100
SSS-35-5-11-AB	8.47	100	4.66	100	1.84	100	N/A	100	N/A	100	N/A	100	N/A	100	N/A	100	N/A	100	N/A	100
SSS-35-5-7-AB	25.61	100	18.72	100	13.63	100	9.75	100	6.74	100	4.34	100	2.41	100	0.83	100	N/A	100	N/A	100
SSS-35-5-3-AB	26.59	100	19.7	100	14.59	100	10.71	100	7.69	100	5.26	100	3.36	100	1.78	100	N/A	100	N/A	100
SSS-35-6-11-AB	25.24	100	17.73	100	12.17	100	7.95	100	4.66	100	2.05	100	N/A	100	N/A	100	N/A	100	N/A	100
SSS-35-6-7-AB	24.6	100	17.4	100	12.06	100	8.01	100	4.85	100	2.35	100	N/A	100	N/A	100	N/A	100	N/A	100
SSS-35-6-3-AB	25.6	100	18.38	100	13.04	100	8.97	100	5.81	100	3.3	100	1.28	100	N/A	100	N/A	100	NA	100
SSS-39-5-7-AB	20.02	100	13.97	100	9.5	100	6.1	100	3.45	100	1.35	100	N/A	100	N/A	100	N/A	100	N/A	100
SSS-39-5-3-AB	13.81	100	8.53	100	4.73	100	1.91	100	N/A	100	N/A	100	N/A	100	N/A	100	N/A	100	N/A	100
SSS-39-6-11-AB	18.83	100	12.24	100	7.37	100	3.66	100	N/A	100	N/A	100	N/A	100	N/A	100	N/A	100	N/A	100
SSS-39-6-7-AB	18.51	100	12.18	100	7.5	100	3.94	100	1.17	100	N/A	100	N/A	100	N/A	100	N/A	100	N/A	100
SSS-39-6-3-AB	19.6	100	13.27	100	8.58	100	5.01	100	2.23	100	0.03	100	N/A	100	N/A	100	N/A	100	N/A	100

**NOTES:**

1. The maximum EPA values are based upon the published maximum weight noted. Lower weights will result in higher EPA values.
2. Includes Florida Building Code 2023/2020, AASHTO LRFD-LTS-1, and ASCE-7 standards.
3. For pole heights that are not shown, use the values for taller poles.
4. The Cooper Lighting Solutions on-line configurator has detailed maximum EPA and weight to refine the design.

### LATEST FLORIDA BUILDING CODES & AASHTO STANDARDS EPA [SQ. FT] (WITH 3SEC GUST) - 400 LBS FIXTURE LOAD <sup>1, 2, 3, 4</sup>

Catalog Number	90 MPH		100 MPH		110 MPH		120 MPH		130 MPH		140 MPH		150 MPH		160 MPH		170 MPH		180 MPH	
	Max EPA (sq. ft)	Max Fixture Load (lb)	Max EPA (sq. ft)	Max Fixture Load (lb)	Max EPA (sq. ft)	Max Fixture Load (lb)	Max EPA (sq. ft)	Max Fixture Load (lb)	Max EPA (sq. ft)	Max Fixture Load (lb)	Max EPA (sq. ft)	Max Fixture Load (lb)	Max EPA (sq. ft)	Max Fixture Load (lb)	Max EPA (sq. ft)	Max Fixture Load (lb)	Max EPA (sq. ft)	Max Fixture Load (lb)	Max EPA (sq. ft)	Max Fixture Load (lb)
SSS-5-4-11-AB	127.8	400	103.21	400	85.02	400	71.18	400	60.41	400	51.86	400	44.97	400	39.33	400	34.65	400	30.73	400
SSS-10-4-11-AB	62.02	400	49.7	400	40.58	400	33.65	400	28.26	400	23.98	400	20.52	400	17.7	400	15.35	400	13.39	400
SSS-10-4-7-AB	62.36	400	50.03	400	40.91	400	33.97	400	28.57	400	24.29	400	20.84	400	18.01	400	15.66	400	13.7	400
SSS-10-5-11-AB	79.21	400	63.27	400	51.48	400	42.5	400	35.52	400	29.98	400	25.51	400	21.85	400	18.82	400	16.28	400
SSS-10-5-7-AB	146.68	400	117.92	400	96.64	400	80.45	400	67.86	400	57.86	400	49.8	400	43.2	400	37.73	400	33.15	400
SSS-10-6-11-AB	159.56	400	128.23	400	105.06	400	87.43	400	73.71	400	62.83	400	54.05	400	46.86	400	40.9	400	35.91	400
SSS-15-4-11-AB	39.04	400	30.82	400	24.73	400	20.11	400	16.51	400	13.65	400	11.35	400	9.46	400	7.9	400	6.59	400
SSS-15-4-7-AB	39.52	400	31.3	400	25.21	400	20.58	400	16.98	400	14.12	400	11.81	400	9.92	400	8.36	400	7.05	400
SSS-15-5-11-AB	50.5	400	39.86	400	31.98	400	25.99	400	21.33	400	17.64	400	14.65	400	12.21	400	10.19	400	8.49	400
SSS-15-5-7-AB	95.96	400	76.77	400	62.57	400	51.77	400	43.36	400	36.69	400	31.31	400	26.91	400	23.26	400	20.2	400
SSS-15-5-3-AB	96.47	400	77.26	400	63.05	400	52.24	400	43.83	400	37.16	400	31.77	400	27.37	400	23.71	400	20.65	400
SSS-15-6-11-AB	103.13	400	82.24	400	66.79	400	55.04	400	45.89	400	38.63	400	32.78	400	27.99	400	24.02	400	20.69	400
SSS-15-6-7-AB	99.31	400	79.24	400	64.39	400	53.09	400	44.3	400	37.32	400	31.7	400	27.09	400	23.27	400	20.07	400
SSS-15-6-3-AB	99.83	400	79.74	400	64.88	400	53.58	400	44.78	400	37.8	400	32.17	400	27.56	400	23.74	400	20.53	400
SSS-20-4-11-AB	25.27	400	19.46	400	15.16	400	11.88	400	9.34	400	7.32	400	5.69	400	4.35	400	3.25	400	2.32	400
SSS-20-4-7-AB	25.87	400	20.05	400	15.75	400	12.47	400	9.92	400	7.9	400	6.27	400	4.93	400	3.82	400	2.9	400
SSS-20-5-11-AB	32.68	400	25.15	400	19.58	400	15.34	400	12.05	400	9.43	400	7.32	400	5.59	400	4.16	400	2.96	400
SSS-20-5-7-AB	65.09	400	51.51	400	41.46	400	33.82	400	27.87	400	23.16	400	19.35	400	16.23	400	13.65	400	11.49	400
SSS-20-5-3-AB	65.7	400	52.11	400	42.06	400	34.41	400	28.46	400	23.74	400	19.93	400	16.81	400	14.23	400	12.06	400
SSS-20-6-11-AB	69.11	400	54.35	400	43.43	400	35.13	400	28.67	400	23.54	400	19.4	400	16.01	400	13.21	400	10.86	400
SSS-20-6-7-AB	66.76	400	52.56	400	42.05	400	34.06	400	27.84	400	22.9	400	18.92	400	15.66	400	12.96	400	10.7	400
SSS-20-6-3-AB	67.39	400	53.17	400	42.65	400	34.65	400	28.43	400	23.49	400	19.5	400	13.03	400	13.54	400	11.27	400
SSS-25-4-11-AB	16.88	400	12.44	400	9.16	400	6.66	400	4.71	400	3.17	400	1.92	400	0.9	400	0.06	400	N/A	400
SSS-25-4-7-AB	17.61	400	13.16	400	9.87	400	7.37	400	5.42	400	3.87	400	2.63	400	1.61	400	0.76	400	0.05	400
SSS-25-5-11-AB	21.81	400	16.06	400	11.81	400	8.57	400	6.05	400	4.05	400	2.44	400	1.12	400	0.03	400	N/A	400
SSS-25-5-7-AB	46.82	400	36.45	400	28.77	400	22.94	400	18.4	400	14.79	400	11.88	400	9.5	400	7.53	400	5.88	400
SSS-25-5-3-AB	47.55	400	37.17	400	29.49	400	23.65	400	19.1	400	15.49	400	12.58	400	10.2	400	8.23	400	6.57	400
SSS-25-6-11-AB	48.83	400	37.57	400	29.24	400	22.91	400	17.98	400	14.06	400	10.91	400	8.32	400	6.18	400	4.39	400
SSS-25-6-7-AB	47.37	400	36.52	400	28.49	400	22.39	400	17.64	400	13.87	400	10.83	400	8.34	400	6.27	400	4.54	400

\*Continued on next page

Catalog Number	90 MPH		100 MPH		110 MPH		120 MPH		130 MPH		140 MPH		150 MPH		160 MPH		170 MPH		180 MPH	
	Max EPA (sq. ft)	Max Fixture Load (lb)	Max EPA (sq. ft)	Max Fixture Load (lb)	Max EPA (sq. ft)	Max Fixture Load (lb)	Max EPA (sq. ft)	Max Fixture Load (lb)	Max EPA (sq. ft)	Max Fixture Load (lb)	Max EPA (sq. ft)	Max Fixture Load (lb)	Max EPA (sq. ft)	Max Fixture Load (lb)	Max EPA (sq. ft)	Max Fixture Load (lb)	Max EPA (sq. ft)	Max Fixture Load (lb)	Max EPA (sq. ft)	Max Fixture Load (lb)
SSS-25-6-3-AB	48.12	400	37.26	400	29.22	400	23.11	400	18.35	400	14.57	400	11.53	400	9.04	400	6.97	400	5.24	400
SSS-30-4-11-AB	11.07	400	7.51	400	4.87	400	2.87	400	1.31	400	0.07	400	N/A	400	N/A	400	N/A	400	N/A	400
SSS-30-4-7-AB	11.92	400	8.35	400	5.71	400	3.7	400	2.14	400	0.9	400	N/A	400	N/A	400	N/A	400	N/A	400
SSS-30-5-11-AB	14.29	400	9.67	400	6.25	400	3.66	400	1.63	400	0.03	400	N/A	400	N/A	400	N/A	400	N/A	400
SSS-30-5-7-AB	34.61	400	26.29	400	20.13	400	15.45	400	11.8	400	8.91	400	6.58	400	4.67	400	3.09	400	1.76	400
SSS-30-5-3-AB	35.47	400	27.14	400	20.97	400	16.28	400	12.63	400	9.74	400	7.4	400	5.49	400	3.9	400	2.58	400
SSS-30-6-11-AB	35.16	400	26.14	400	19.46	400	14.38	400	10.43	400	7.29	400	4.76	400	2.69	400	N/A	400	N/A	400
SSS-30-6-7-AB	34.31	400	25.61	400	19.16	400	14.26	400	10.45	400	7.42	400	4.98	400	2.98	400	1.33	400	N/A	400
SSS-30-6-3-AB	35	400	26.46	400	20.01	400	15.02	400	11.28	400	8.25	400	5.81	400	3.81	400	2.15	400	N/A	400
SSS-35-4-7-AB	3.77	400	1.25	400	N/A	400	N/A	400	N/A	400	N/A	400	N/A	400	N/A	400	N/A	400	N/A	400
SSS-35-5-11-AB	8.59	400	4.76	400	1.92	400	N/A	400	N/A	400	N/A	400	N/A	400	N/A	400	N/A	400	N/A	400
SSS-35-5-7-AB	25.73	400	18.82	400	13.71	400	9.82	400	6.8	400	4.39	400	2.46	400	0.87	400	N/A	400	N/A	400
SSS-35-5-3-AB	26.71	400	19.79	400	14.67	400	10.78	400	7.75	400	5.35	400	3.41	400	1.82	400	N/A	400	N/A	400
SSS-35-6-11-AB	25.11	400	17.63	400	12.09	400	7.88	400	4.6	400	2	400	N/A	400	N/A	400	N/A	400	N/A	400
SSS-35-6-7-AB	24.73	400	17.5	400	12.15	400	8.08	400	4.91	400	2.4	400	N/A	400	N/A	400	N/A	400	N/A	400
SSS-35-6-3-AB	25.72	400	18.48	400	13.12	400	9.05	400	5.87	400	3.36	400	1.33	400	N/A	400	N/A	400	N/A	400
SSS-39-5-7-AB	20.12	400	14.06	400	9.57	400	6.16	400	3.5	400	1.39	400	N/A	400	N/A	400	N/A	400	N/A	400
SSS-39-5-3-AB	13.89	400	8.59	400	4.78	400	1.96	400	N/A	400	N/A	400	N/A	400	N/A	400	N/A	400	N/A	400
SSS-39-6-11-AB	18.7	400	12.14	400	7.28	400	3.59	400	N/A	400	N/A	400	N/A	400	N/A	400	N/A	400	N/A	400
SSS-39-6-7-AB	18.62	400	12.27	400	7.58	400	4	400	N/A	400	N/A	400	N/A	400	N/A	400	N/A	400	N/A	400
SSS-39-6-3-AB	84.95	400	13.36	400	8.65	400	5.07	400	2.29	400	0.08	400	N/A	400	N/A	400	N/A	400	N/A	400

**NOTES:**

1. The maximum EPA values are based upon the published maximum weight noted. Lower weights will result in higher EPA values.
2. Includes Florida Building Code 2023/2020, AASHTO LRFD-LTS-1, and ASCE-7 standards.
3. For pole heights that are not shown, use the values for taller poles.
4. The Cooper Lighting Solutions on-line configurator has detailed maximum EPA and weight to refine the design.

### Considerations

#### DESIGN CONSIDERATIONS - VIBRATIONS AND NON-GROUND MOUNTED INSTALLATIONS

---

The information contained herein is for general guidance only and is not a replacement for professional judgment. Design considerations for wind induced vibrations and non-ground mounted installations (e.g., installations on bridges or buildings) are not included in this document. Consult with a professional, and local and federal standards, before ordering to ensure product is appropriate for the intended purpose and installation location. Refer to the Cooper Lighting Solutions Light Pole White Paper for risk factors and design considerations. [Learn more.](#)

**NOTE:** The [Limited warranty](#) for this product specifically excludes fatigue failure or similar damage resulting from vibration, harmonic oscillation or resonance.

Specifications and dimensions subject to change without notice. Consult your lighting representative at Cooper Lighting Solutions or visit [www.cooperlighting.com](http://www.cooperlighting.com) for available options, accessories and ordering information.

#### VIBRATION

---

Vibrations may cause damage to structures, including poles. Vibrations are unpredictable, and there are many factors and variables that can cause damaging vibrations. Many wind conditions exist that can create damaging vibrations to poles and luminaires, such as constant winds between 10-30 mph. Although all pole types can experience vibration, straight square poles seem to be most prone. Vibration dampeners and/or a round tapered design may be used to mitigate damage from vibrations, but there is no guarantee damaging vibrations will be prevented. Vibration dampeners are not included with this pole but can be ordered separately. Consult with a professional, and local and federal standards, to ensure this pole is appropriate for the intended purpose and installation location. Refer to Cooper Lighting Solutions' Light Pole [White Paper](#) for risk factors and design considerations.

#### MAINTENANCE

---

Perform inspections periodically. A prudent inspection schedule would be: one week after installation, one month after installation, yearly after installation, and following any major wind event. During the inspection, check the poles for cracks. If cracks are detected, remedial action is required. Recheck anchor bolt torques and re-tighten according to the recommended torque values. Check for missing covers and pole caps and replace as necessary. Check the pole for corrosion and deterioration of the finish. Should there be corrosion or deterioration, take remedial action to correct.

**WARNING:** Customer is responsible for engineering analysis to confirm pole and fixture compatibility for all applications. Refer to pole white paper [WP513001EN](#) for additional support information. Before installing, make sure proper anchor bolts and templates are obtained. The use of unauthorized accessories such as banners, signs, cameras or pennants for which the pole was not designed voids the pole warranty and may result in pole failure causing serious injury or property damage. Information regarding total loading capacity can be supplied upon request. The pole warranty is void unless poles are used and installed as a complete pole and luminaire combination. This warranty specifically excludes failure as the result of a third party act or omission, misuse, unanticipated uses, fatigue failure or similar phenomena resulting from induced vibration, harmonic oscillation or resonance associated with movement of air currents around the product.

Specifications and dimensions subject to change without notice. Consult your lighting representative at Cooper Lighting Solutions or visit [www.cooperlighting.com](http://www.cooperlighting.com) for available options, accessories, and ordering information.