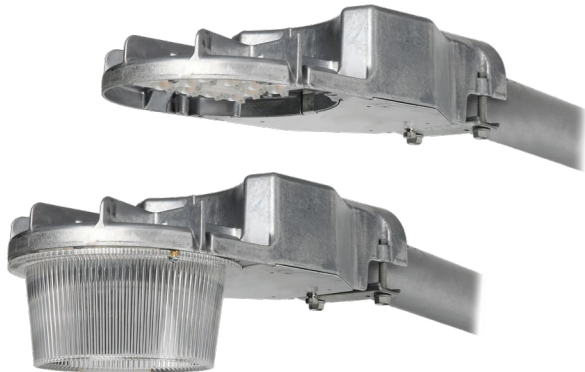


Project		Catalog #		Type	
Prepared by		Notes		Date	



Lumark

Caretaker Nano

Dusk-to-Dawn Area / Security Luminaire

Product Certifications & Features



Light ARchitect™

Interactive Menu

- **Ordering Information** page 2
- **Accessory & Mounting Details** page 2
- **Installation Overview** page 3
- **Energy and Performance Data** page 4
- **Optical Distributions** page 4

Product Specifications

PHYSICAL CHARACTERISTICS

- All aluminum construction, with die cast housing
- Raw aluminum finish
- Tool-less access and removable driver door for easy maintenance
- Corrosion-resistant hardware
- Mounts to pipe arms 1-5/8" to 2-3/8" OD. included Wall/Pole Bracket allows direct mount to wood pole or wall.
- Approximate net weight without refractor (open bottom) : 4.25lbs
- EPA (without refractor) = 0.30
EPA (with CNR refractor) = 0.36

OPTICAL

- 70CRI at 4000K with a T5 Distribution.
- Acrylic refractor accessory available
- Compatible with ANSI/NEMA open bottom refractor assembly
- Field installable snap-on shielding (single square or perimeter fence shield)

ELECTRICAL

- 120-277V; 50/60Hz
- Standard 0-10V dimming with integrated 6kV surge protection
- 10kV and 20kV surge protection options in parallel or series configurations
- -40°C to 40°C ambient temperature operating range; -40°C to 50°C ambient temperature operating range at 20-30W

CONTROLS

- 3-pin Photocell Receptacle option available
- Photocontrol accessory option available

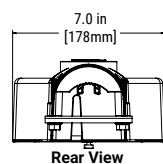
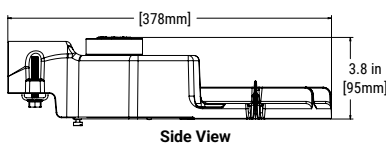
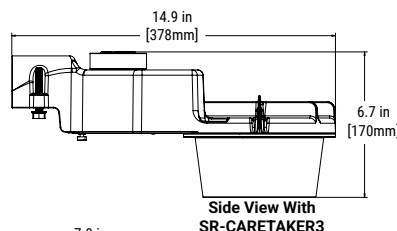
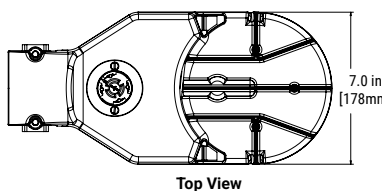
COMPLIANCE

- Meets ANSI C136.25 for IP66 Optical enclosure rating
- Meets ANSI C136.31 for 3G luminaire vibration. Customer is responsible for engineering analysis to confirm pole and fixture compatibility for all applications
- Safety listing - Wet Location UL 1598
- DLC and DLC Premium listed- visit designlights.org to confirm listed variations

- Five-year limited warranty. Consult website for details. www.cooperlighting.com/legal

WARRANTY

Dimensional Details



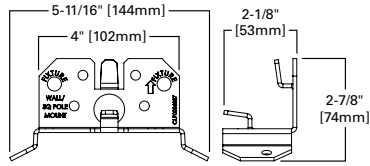
Stock Ordering Information

Model Number	Refractor	Accessories
CTKRV1C =Caretaker Nano 30W, 4500lm, UNV, Dimming, Photocontrol CTKRV2C =Caretaker Nano 50W, 6200lm, UNV, Dimming, Photocontrol	CNR-CARETAKER NANO =Acrylic Refractor	TH =Tool-less Door Hardware PR =Photocontrol V =(3) 5' #14 external leads WPBKT =Wall or pole mounting bracket FADC =Field Adjustable Dimming Controller

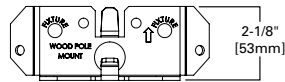
Mounting Details

Optional Wall/Pole Mounting Bracket

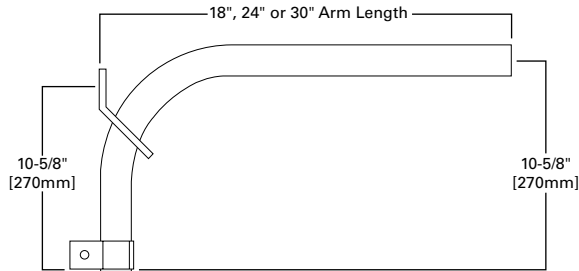
Wall Mount / Square Pole Mount



Pole Mount



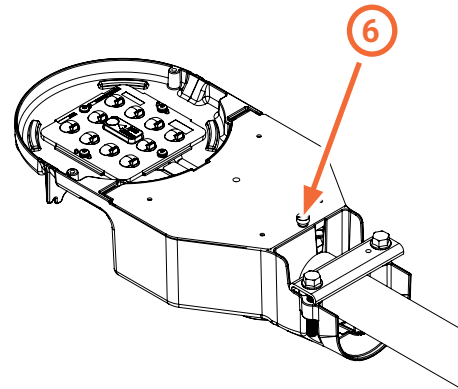
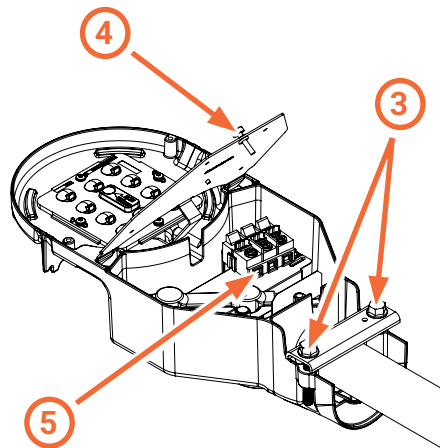
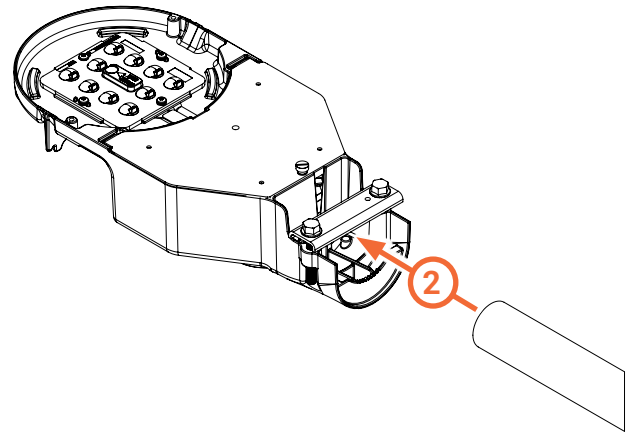
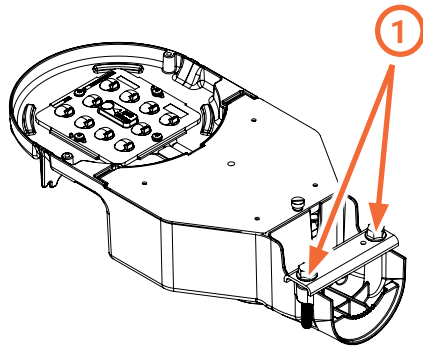
Optional Wood Pole Pipe Arm



Installation Overview

Quick Instruction Steps:

1. Loosen Mounting Bolts for Pole Clamp
2. Insert Pole Arm Into Fixture
3. Tighten Mounting Bolts on Pole Clamp
4. Open Door by Unscrewing the Door Screw
5. Pull Wires into Housing Through Rear Slot and Wire Appropriately
6. Close fixture Door with Door Screw



Energy and Performance Data

Nominal Power (Watts)	30	50
Actual Power (Watts)	32	48
Wattage Label	30	50
Input Current @ 120V (A)	0.27	0.40
Input Current @ 277V (A)	0.12	0.17

70 CRI, 4000K			
T5R	Lumens	4,798	6,494
	Lumens per Watt	149	136
	BUG Rating	B3-U0-G1	B3-U0-G1
T5R w SR-CARETAKER3	Lumens	4,617	6,250
	Lumens per Watt	143	131
	BUG Rating	B3-U3-G2	B3-U3-G2

Lumen Multiplier

Ambient Temperature	Lumen Multiplier
0°C	1.02
10°C	1.01
25°C	1.00
40°C	0.99
50°C	0.97

LED Color Multipliers

	4000
CRI	
70	1.00

Note: * Estimates, refer to IES files for accuracy.

Lumen Maintenance

Ambient Temperature	25,000 hours*	50,000 hours*	60,000 hours*	100,000 hours*	L70*
25°C	98.1%	96.3%	95.6%	92.8%	>102,000
40°C	98.0%	96.1%	95.3%	92.3%	>102,000
50°C	97.8%	95.6%	94.8%	91.4%	>102,000

Note: * Calculations provided in accordance with IES TM-21-11 using the configuration resulting in highest LED temperature.

FADC Settings

FADC Position	Percent of Typical Lumen Output
1	25%
2	48%
3	56%
4	65%
5	75%
6	80%
7	85%
8	90%
9	95%
10	100%

Note: +/-5% typical value

Optical Distributions

T5R
(Type V Roadway)

