

Installation Instructions – XAS All-Selectable Area Site

Instructions d'installation – XAS All-Selectable Area Site

Instrucciones de instalación – XAS All-Selectable Area Site

IMPORTANT: Read carefully before installing product. Retain for future reference. Failure to comply with these instructions may result in death, serious bodily injury and property damage.

WARNING



Risk of Fire, Electrical Shock, Cuts or other Casualty Hazards- Installation and maintenance of this product must be performed by a qualified electrician. This product must be installed in accordance with the applicable installation code by a person familiar with the construction and operation of the product and hazards involved.



Risk of Fire and Electric Shock- Make certain power is OFF before starting installation or attempting any maintenance. Disconnect power at fuse or circuit breaker.



Risk of Fire- Refer to product label for specific minimum supply conductor requirements.



Risk of Personal Injury- Fixture may become damaged and/or unstable if not installed properly.

DISCLAIMER OF LIABILITY: Cooper Lighting Solutions assumes no liability for damages or losses of any kind that may arise from the improper, careless, or negligent installation, handling or use of this product.

NOTICE: Green ground wire provided in proper location. Do not relocate.

ATTENTION Receiving Department: Note actual fixture description of any shortage or noticeable damage on delivery receipt. File claim for common carrier (LTL) directly with carrier. Claims for concealed damage must be filed within 15 days of delivery. All damaged material, complete with original packing must be retained.

Safety: This fixture must be wired in accordance with the National Electrical Code and applicable local codes and ordinances. Proper grounding is required to insure personal safety. Carefully observe grounding procedure under installation section.

APPLICATIONS: This lighting fixture is designed for outdoor lighting applications, and should not be used in area of limited ventilation or inside high ambient temperature enclosures. It must be stored in a dry location prior to installation. Do not expose lighting fixture to rain, dust or other environmental conditions prior to installation and insertion of photo control or shorting cap (if so equipped). Best results will be obtained if installed and maintained according to the following instructions.

NOTE: Adjustable Arm/Slipfitter/Yoke Mounted with PHOTOCCELL function tilt angle should not exceed 15° .

Installation Instructions – XAS Area Site

Square/Round Pole Mount

Tools Required

- #2 Phillips screwdriver
- 5/16" Allen wrench
- 9/16" Torque Wrench
- 3/4" Open End Wrench
- Torque Wrench

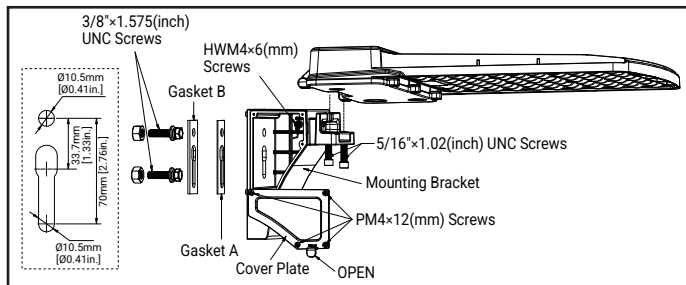
1. Remove the cover plate on the pole mount arm by removing the four Phillips head screws and using the pull tab labeled "open". Set door aside.
2. Align pole mount arm top hole with top hole in pole. Align pole mount slot with bottom hole in pole.

Note: Fixture suitable for down mount only. Do not install with slot on top.

3. Route the leads coming from the pole mount arm through wireway hole in to the pole.
4. From inside the pole, insert bolts through pole, silicone gasket(s), pole mount arm, washers, and splitwashers.

Note: Use Gasket A (curved silicone gasket) when mounting to a round pole with the curved side of the gasket contacting the mounting arm. Use both silicone gaskets when mounting to a square pole with the curved side of Gasket A contacting the mounting arm.

5. Hand tighten nuts onto bolts within the pole mount arm cavity.
6. Torque bolts using 9/16" torque wrench to 17 ft-lbs Hold nuts still with 3/4" open end wrench.
7. Route wire leads from luminaire into the pole mount arm and slide the luminaire onto the pole mount arm. Secure with two Allen screws and tighten to 9.5 ft-lbs.
8. Connect fixture leads within pole mount arm to supply wires:
 - a. Connect supply side line voltage to black lead.
 - b. Connect supply side common voltage to white lead.
 - c. Connect supply side ground wire to green lead.
9. Reinstall cover plate on to pole mount arm via four Phillips head screws. Torque to 10 in-lbs.



Adjustable Arm Mount

Tools Required

- #2 Phillips screwdriver
- 5/16" Allen wrench
- 9/16" Torque Wrench
- 3/4" Open End Wrench
- Torque Wrench
- 17mm Torque Wrench

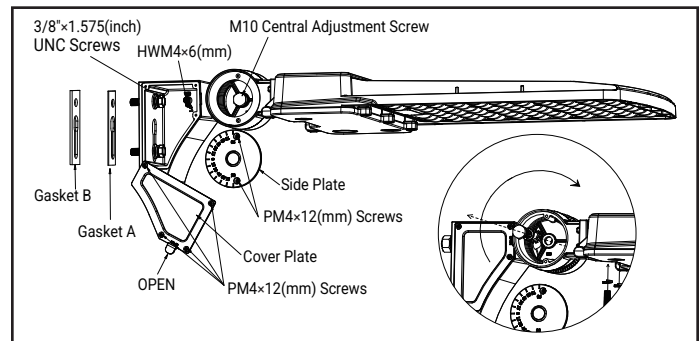
1. Remove the cover plate on the adjustable pole mount arm by removing the four Phillips head screws and using the pull tab labeled "open". Set door aside.
2. Remove the Side Plate covering the M10 central adjustment screw and set aside.
3. Align the adjustable pole mount arm top hole with top hole in pole. Align the adjustable pole mount slot with bottom hole in pole.

Note: Fixture suitable for down mount only. Do not install with slot on top.

4. From inside the pole, insert bolts through pole, silicone gasket(s), adjustable pole mount arm, washers, and splitwashers.

Note: Use Gasket A (curved silicone gasket) when mounting to a round pole with the curved side of the gasket contacting the mounting arm. Use both silicone gaskets when mounting to a square pole with the curved side of Gasket A contacting the mounting arm.

5. Hand tighten nuts onto bolts within the adjustable pole mount arm cavity.
 6. Torque bolts using 9/16" torque wrench to 17 ft-lbs Hold nuts still with 3/4" open end wrench.
 7. Route wire leads from the luminaire through the adjustable pole mount arm and slide the luminaire onto the adjustable pole mount arm. Secure the luminaire to the arm with two Allen screws and tighten to 9.5 ft-lbs.
 8. Connect fixture leads within pole mount arm to supply wires:
 - a. Connect supply side line voltage to black lead.
 - b. Connect supply side common voltage to white lead.
 - c. Connect supply side ground wire to green lead.
 9. Reinstall cover plate on to pole mount arm via four Phillips head screws. Torque to 10 in-lbs.
 10. Adjust the angle of the luminaire by loosening the M10 Central Adjustment Screw and rotating to desired position. Using a 17mm torque wrench, retighten M10 Central Adjustment Screw to 12 ft-lbs.
- Note:** Fixture suitable for down mount only. Do not tilt above 45° from horizontal.
11. Reinstall Side Plate on to pole mount arm via 2 Phillips head screws. Torque to 10 in-lbs.



Wall Mount

Tools Required

- #2 Phillips screwdriver
- 5/16" Allen wrench
- 9/16" Torque Wrench
- 3/4" Open End Wrench
- Torque Wrench

1. Use the provided wall mount template to confirm the hole positions on the wall then drill out holes for 3/8" x 1.575" expansion bolts (provided by others). The wall mount template may be discarded after drilling is complete.
2. Attach the EVA Gasket to the back of the steel mounting plate.
3. Remove the cover plate on the wall mount arm by removing the four Phillips head screws and using the pull tab labeled "open". Set door aside.
4. Align wall mount arm top hole with top hole in steel mounting plate.

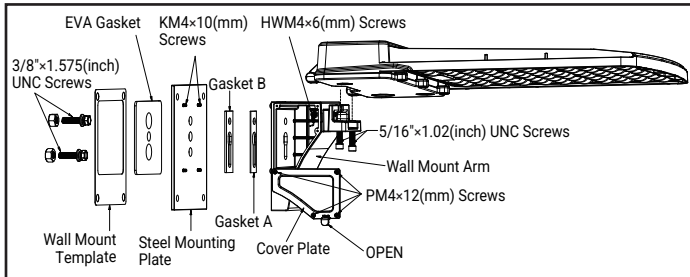
Note: Fixture suitable for down mount only. Do not install with slot on top.

5. Align Gasket A and Gasket B with the mounting holes and place them on the back side of the Wall Mount Arm. Position the Steel Plate over the gaskets and secure them using four KM4 x 10 screws. Tighten the screws to a torque of 5-6 in-lbs.
6. Secure the steel mounting plate to the wall mount arm by inserting bolts through the EVA Gasket, the steel mounting plate, both silicone gaskets, wall mount arm, washers, and splitwashers.
7. Hand tighten nuts onto bolts within the wall mount arm cavity.
8. Torque bolts using 9/16" torque wrench to 17 ft-lbs Hold nuts still with 3/4" open end wrench.
9. Secure the wall mount arm and steel mounting plate to the wall using four 3/8" x 1.575" expansion bolts (provided by others).
10. Route wire leads from luminaire into the wall mount arm and slide the

Installation Instructions – XAS Area Site

luminaire onto the wall mount arm. Secure with two Allen screws and tighten to 9.5 ft-lbs.

11. Connect fixture leads within wall mount arm to supply wires:
 - a. Connect supply side line voltage to black lead.
 - b. Connect supply side common voltage to white lead.
 - c. Connect supply side ground wire to green lead.
12. Reinstall cover plate on to wall mount arm via four Phillips head screws
Torque to 10 in-lbs.



Slipfitter Mount

Tools Required

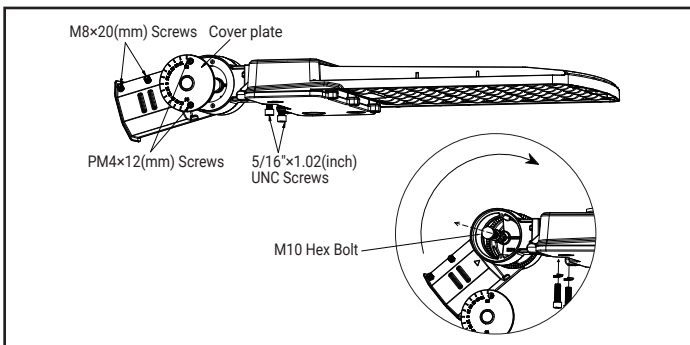
- #2 Phillips screwdriver
- 5/16" Allen wrench
- 17mm Socket
- Torque Wrench

1. 1. Remove the cover plate on the slipfitter by removing the two Phillips head screws. Set cover plate aside.
2. 2. Route wire leads from luminaire into the slipfitter and install slipfitter onto luminaire. Secure with two 5/16" Allen screws. Tighten to 9.5 ft-lbs.
3. 3. Adjust slipfitter to the desired angle by loosening the center M10 hex bolt enough to rotate and adjust. Retighten the center M10 hex bolt to 12 ft-lbs to secure.

Note: Fixture suitable for down mount only. Do not tilt above 45 degrees from horizontal.

4. 4. Reinstall slipfitter cover plate via two Phillips head screws and tighten to 10 in-lbs.
5. 5. Connect luminaire leads to supply wires:

- a. Connect supply side line voltage to black lead.
- b. Connect supply side common voltage to white lead.
- c. Connect supply side ground wire to green lead.



Yoke Mount

Tools Required

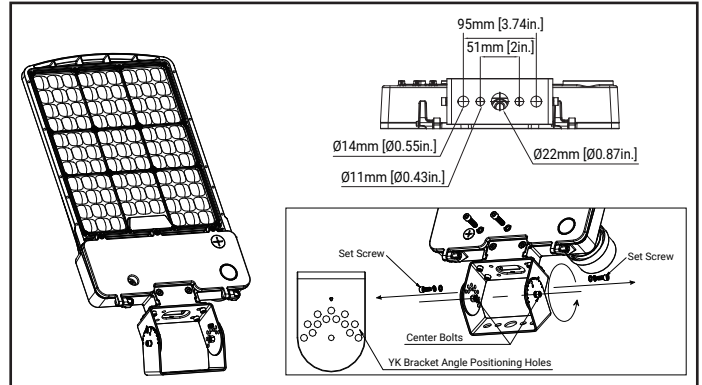
- M5 Allen Wrench
- 10mm Open End Wrench
- Torque Wrench

1. Mount trunnion bracket onto surface using the hole pattern on the back of the trunnion bracket. Mounting hardware is supplied by others and must be appropriate for the mounting surface.

2. Mount luminaire onto the trunnion mount and secure with the two 5/16 Allen head screws. Tighten to 9.5 ft-lbs.
3. Loosen the trunnion mount center bolts and set screw.
4. Rotate fixture to desired aiming position and retighten the center bolts and set screws to 9.5 ft-lbs.

Note: Fixture suitable for down mount only. Do not tilt above 45 degrees from horizontal.

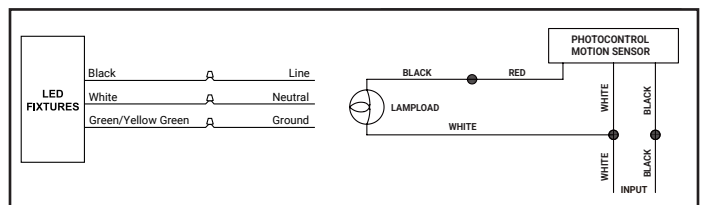
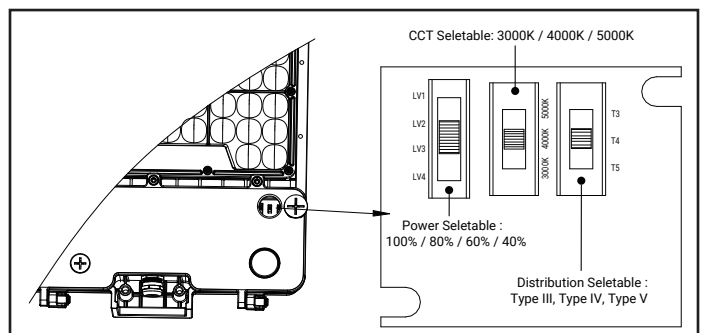
5. Connect fixture leads to supply wires:
 - a. Connect supply side line voltage to black lead.
 - b. Connect supply side common voltage to white lead.
 - c. Connect supply side ground wire to green lead.



Wattage, CCT, and Distribution Selectable Version

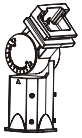
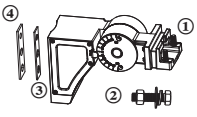
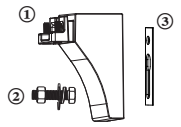
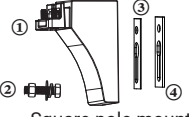
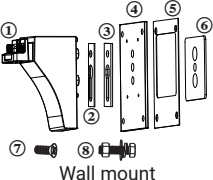

Note: Ensure there is no power to the luminaire before adjusting the switch positions.

1. Unscrew 3/4" plug from the bottom of the fixture in the location shown here. Set aside temporarily as it will be needed later.
2. Adjust the selectable CCT, Wattage, and Optical Distribution switches to desired position.
3. Reinsert the 3/4" plug that was removed in step 1. Tighten to 16 in-lbs.



Installation Instructions – XAS Area Site

ACCESSORY LIST

Mounting Type	Accessory	Specifications	Quantity
 Slipfitter mount	Slipfitter	Adjustable slipfitter	1
 Adjustable arm mount	① Adjustable Arm Mount	235 × 90 × 152mm Adjustable Arm Mount	1
	② Bolt	# 3/8"×1.575" Stainless Steel Hexagon Hexagon head bolt	2
	③ Gasket A	L100W22H2 Curved Silicone Gasket	1
	④ Gasket B	L100W30H3 Flat Silicone Gasket	1
 Round pole mount	① Pole Mount Arm	135 × 177 × 96mm Square pole mount arm	1
	② Bolt	# 3/8"×1.575" Stainless Steel Hexagon Hexagon head bolt	2
	③ Gasket A	L100W22H2 Curved Silicone Gasket	1
 Square pole mount	① Pole Mount Arm	135 × 177 × 96mm Square pole mount arm	1
	② Bolt	# 3/8"×1.575" Stainless Steel Hexagon Hexagon head bolt	2
	③ Gasket A	L100W22H2 Curved Silicone Gasket	1
	④ Gasket B	L100W30H3 Flat Silicone Gasket	1
 Wall mount	① Pole Mount Arm	135 × 177 × 96mm Square pole mount arm	1
	② Gasket A	L100W22H2 Curved Silicone Gasket	1
	③ Gasket B	L100W30H3 Flat Silicone Gasket	1
	④ Wall Mount Plate	203 × 152 × 5mm Steel Plate	1
	⑤ Wall Mount Template	188 × 144 × 0.5mm Back Plate	1
	⑥ EVA Gasket	L119W119H3,40°EVA Gasket	1
	⑦ Bolt	KM4 × 10" Stainless Steel flat head bolt	4
	⑧ Bolt	# 3/8"×1.575" Stainless Steel Hexagon Hexagon head bolt	2
 Yoke mount	Yoke Bracket	L129.5W60H88 upper bracket + L138W60H88 lower bracket + L44.5W115H49 bracket	1

FCC Statement

Note: This equipment has been tested and found to comply with the limits for a Class A digital device, pursuant to part 15 of the FCC Rules. These limits are designed to provide reasonable protection against harmful interference when the equipment is operated in a commercial environment. This equipment generates, uses, and can radiate radio frequency energy and, if not installed and used in accordance with the instruction manual, may cause harmful interference to radio communications. Operation of this equipment in a residential area is likely to cause harmful interference in which case the user will be required to correct the interference at his own expense.

Énoncé de la FCC

Note: Cet équipement a été mis à l'essai et déclaré conforme aux limites établies pour un dispositif numérique de catégorie A en vertu de l'article 15 des règlements de la FCC. Ces limites sont conçues pour assurer une protection raisonnable contre tout brouillage nuisible lorsque l'équipement fonctionne dans un environnement commercial. Cet équipement produit, utilise et peut émettre de l'énergie radioélectrique et, s'il n'est pas installé et utilisé conformément aux instructions, il peut créer des parasites nuisibles aux communications radio. L'utilisation de cet équipement dans une installation résidentielle est susceptible de provoquer des interférences nuisibles, auquel cas l'utilisateur devra corriger ces interférences à ses propres frais.

Declaración de FCC

Nota: Se ha probado este equipo y se ha determinado que cumple con los límites para un dispositivo digital de Clase A, de conformidad con la Sección 15 de las normas de la Comisión Federal de Comunicaciones (FCC, por sus siglas en inglés). Estos límites están diseñados para proporcionar una protección razonable contra interferencias perjudiciales cuando el equipo se opera en un entorno comercial. Este equipo genera, utiliza y puede emitir energía de radiofrecuencia y, si no se instala y utiliza de acuerdo con el manual de instrucciones, puede causar interferencias perjudiciales en las comunicaciones de radio. El funcionamiento de este equipo en un área residencial puede causar interferencias perjudiciales, en cuyo caso el usuario deberá corregir las interferencias por su cuenta.

Warranties and Limitation of Liability

Please refer to www.cooperlighting.com/global/resources/legal for our terms and conditions.

Garanties et limitation de responsabilité

Veuillez consulter le site www.cooperlighting.com/global/resources/legal pour obtenir les conditions générales.

Garantías y Limitación de Responsabilidad

Visite www.cooperlighting.com/global/resources/legal para conocer nuestros términos y condiciones.

Cooper Lighting Solutions
1121 Highway 74 South
Peachtree City, GA 30269
P: 770-486-4800
www.cooperlighting.com

Canada Sales
5925 McLaughlin Road
Mississauga, Ontario L5R 1B8
P: 905-501-3000
F: 905-501-3172

© 2026 Cooper Lighting Solutions
All Rights Reserved
Printed in USA
Imprimé aux États-Unis
Impreso en los EE. UU.

Publication No. IB51588326ML
January 23, 2026

Cooper Lighting Solutions is a registered trademark.
All trademarks are property of their respective owners.

Cooper Lighting Solutions est une marque de commerce déposée.
Toutes les autres marques de commerce sont la propriété de leur propriétaire respectif.

Cooper Lighting Solutions es una marca comercial registrada.
Todas las marcas comerciales son propiedad de sus respectivos propietarios.

Product availability, specifications, and compliances are subject to change without notice.

La disponibilité du produit, les spécifications et les conformités peuvent être modifiées sans préavis.

La disponibilidad de productos, las especificaciones y los cumplimientos están sujetos a cambio sin previo aviso.