

HALO LED H7 Series

ML7BXRFK is a retrofit enclosure designed to allow a qualified installer to complete a hard-wired retrofit of designated Halo 6" LED retrofit modules into existing open frame style fixtures. The ML7BXRFK is a retrofit enclosure that provides UL Classified retrofit of Halo LED into existing open frame fixtures; as installed in Non-Insulated ceilings.

Halo offers high quality, high efficacy LED – the result being great lighting and significant energy savings.

Catalog #		Type
Project		
Comments		Date
Prepared by		

SPECIFICATION FEATURES

MECHANICAL

Housings

- Single wall aluminum housing.
- One-piece housing features a flange around the aperture that seats against the ceiling surface.

Oversize Housing Ring

- The flange must be secured against a minimum 1/4" thick ceiling material. The flange must also seat around a uniform ceiling cut-out for proper mounting. For irregular ceiling cut-out openings the OH470WH oversize housing ring may be required.
- Oversize housing ring OH470WH is designed as an extension of the housing flange when a ceiling cut-out is too large or irregular. The OH470WH slips over the housing and seats against the flange. The OH470WH white finish matches Halo LED white trims.

MOUNTING

Adjustable Slide-Lock

- Housing adjusts to various open metal frame fixture platforms, accommodating from 1/4" up to 1-1/2" ceiling thickness.
- Channel-guided slide bar features tool-less and secure double locking with both a captive wing-nut and knurl-nut.
- Saw-tooth design on bottom of adjustment feet lock onto metal frame of existing open frame fixture, allowing easy centering of the ML7BXRFK enclosure in the existing frame.

ELECTRICAL

BX Connector

- With removal of an existing open frame fixture's reflector, the fixture will have a socket cup with flexible conduit whip that is to be disconnected at the junction box.
- The ML7BXRFK enclosure features a flexible conduit whip that terminates in a BX conduit connector for direct hard-wiring into the existing fixture's junction box.

LED Module Connection

Luminaire Power Connector: Halo LED modules feature a plug-in line voltage wiring connector (UL and CSA Listed Luminaire Disconnect). This non-screw-base connection preserves the high efficacy rating and prevents use of low efficacy sources.

UL Classification

- The ML7BXRFK is UL Classified for retrofit into the following open frame, non-IC fixtures:
 - Halo H600T
 - AtLite A32TP
 - Lightolier 1102P1
 - Lithonia LP6, GRS6HSG
 - Juno TC906
 - Capri CM6

Compliance Labels

- UL Classified Retrofit
- UL/cUL Listed for Damp Location
- UL/cUL Listed for Wet Location with designated trims*
- Rated for 15W maximum with Halo 600 Series and 900 Series
- Rated for 25W maximum with Halo 1200 Series
- Peel-down de-rating wattage label provides relamp de-rating from 25W maximum with 1200 Series LED modules to the 15W maximum rating when using Halo 600 Series and 900 Series LED Modules; as required by local or state energy building code or energy compliance regulations.

Qualification

May be used with qualified Halo LED modules and designated trims to meet industry standard and code compliant qualifications such as ENERGY STAR® *



ML7BXRFK

6" Retrofit Enclosure with Hard-Wired BX Connector

For use with Halo 6" LED Modules*

RA56 Adjustable Gimbal Modules

RL56 and LT56 Downlight Modules

ML56 600, 900, 1200 Series Modules with 69X Series Trims

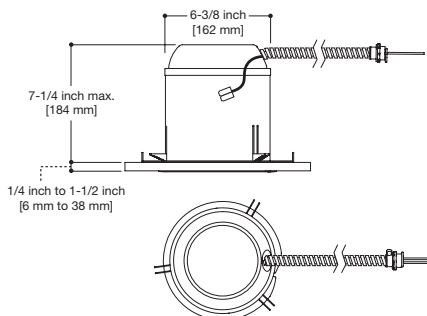
SLD6 600, 1200, and 1200 UNV Series Surface LED

FOR USE IN NON-INSULATED CEILING

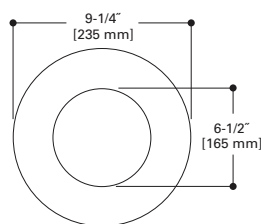
High Efficacy LED Housing

DIMENSIONS

ML7BXRFK



OH470WH



ORDERING INFORMATION

SAMPLE NUMBER:

A complete Halo LED open frame retrofit includes: 1) MLBXRFK enclosure, 2) Halo RA56, RL56, LT56 LED modules, SLD6 surface LED, or ML56 LED modules with 69X trim - ordered separately.

(Refer to respective LED Module and LED trim specification sheets for further information)

Open Frame Retrofit Kit

ML7

ML7= 6" LED Series compatible retrofit enclosure

BXRFK

BXRFK= Hard-wired BX retrofit frame kit

Open Frame Retrofit Accessories

Oversize Housing Ring

OH470WH 6" Oversize housing adapter ring for use with open frame retrofit enclosures ML7E26RFK and ML7BXRFK, 9-1/4" O.D.