

Project		Catalog #		Type	
Prepared by		Notes		Date	



Lumière

BOCA 696

LED / Halogen
In-ground Accent

Typical Applications

- Hospitality • Commerical Landscape • Outdoor Area/Site • Residential
- Architectural

Interactive Menu

- Order Information [page 2](#)
- BOCA 696 LED Photometric Data [page 3](#)
- BOCA 696 MR16 Halogen Photometric Data [page 4](#)
- Product Warranty

Product Certification



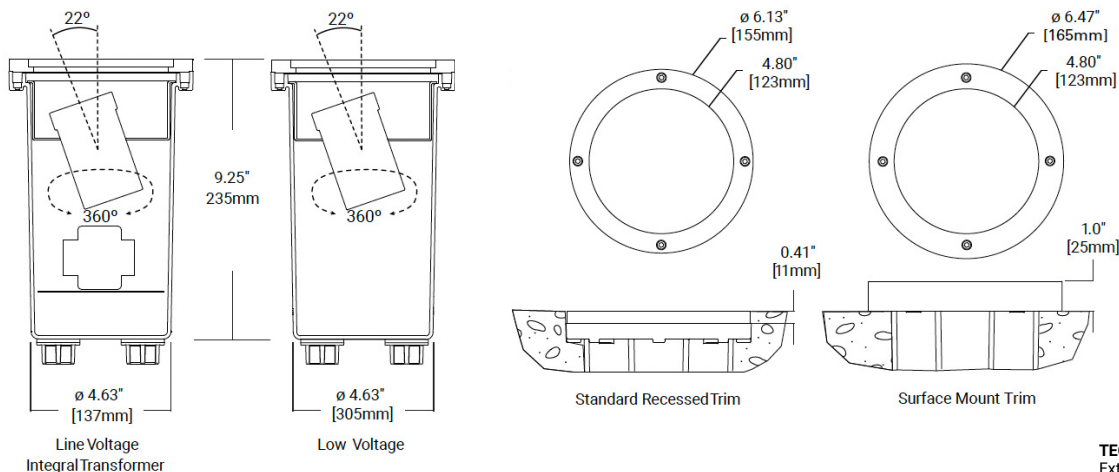
Product Features



Top Product Features

- Adjustable beam: 22° tilt, 360° rotation
- 12°, 21° and 41° beam spread options
- 2700K, 3000K, 4000K, 5700K and Amber, dimmable
- IP67 thermoplastic compression molded recessed housing
- Suitable for indoor or outdoor use
- Options to meet Buy American Act (BAA) and Build America Buy America (BABA) requirements

Dimensions



TECHNICAL DATA
External Supply Wiring 90°C Minimum 8W LED

Order Information

SAMPLE ORDER NUMBER: **696-8LED2710-120/12-BK**

Domestic Preferences	Series	Trim	Source (select from each column and combine)			Voltage	Finish	Options
Domestic Preferences ⁽³⁾	Series	Trim	Source (select from each column and combine)			Voltage	Finish ^(1,5)	Options ⁽²⁾
[Blank] =Standard BAA =Buy American Act BABA =Build America Buy America Act	696 =6 1/4" dia. Boca Inground LED Uplight, 22° Tilt, 360° Rotation	[Blank] =Standard Round Trim SM =Round Surface Mount Trim	8LED =8W LED	27 =2700K 30 =3000K 40 =4000K*	10 =10° Spot 25 =25° Narrow 36 =36° Wide	12 =12 Volt Remote Transformer Required (not included) 120/12 =120V Integral Transformer 277/12 =277V Integral Transformer	Painted BK =Black BZ =Bronze CS =City Silver VE =Verde WT =White	LBB =Less Back Box
Notes (3) Only product configurations with these prefixes are built to be compliant with the Buy America Act of 1933 (BAA) or Buy America Build America Act (BABA). Please see the Compliance section in Product Specifications for more detail.	Notes	Notes	Notes * Not Title 20 compliant.			Notes	Notes (1) Custom and RAL color matching available upon request. Consult factory for further information. * For natural bronze ROHS material consult factory. (5) Consult factory for premium/natural metals material finish.	Notes (2) When specifying LBB option the back box needs to be ordered separately 600-BB.

Optical Accessories - Order Separately

Filters (2.00" Diameter)	Optical Lenses (2.00" Diameter)	Optical Louvers (2.00" Diameter)
Filters (2.00" Diameter) ⁽⁴⁾	Optical Lenses (2.00" Diameter) ⁽⁴⁾	Optical Louvers (2.00" Diameter) ⁽⁴⁾
F71 =Peach Dichroic F72 =Amber Dichroic F73 =Green Dichroic F74 =Medium Blue F75 =Yellow Dichroic F76 =Red Dichroic F77 =Dark Blue Dichroic F78 =Light Blue Dichroic F79 =Neutral Density Dichroic F80 =Magenta Dichroic F22 =Red Color F33 =Blue Color F44 =Green Color F55 =Yellow Color F66 =Mercury Vapor	LSL =Linear Spread Lens (elongates standard beam spread) DIF =Diffused lens (provides even illumination) OSL =Overall Spread Lens (increases standard beam spread)	LVR =45° Hex Cell Louver (reduces glare)
Notes (4) Accessories sold separately will be separately analyzed under domestic preference requirements. Consult factory for further information.	Notes	Notes

Product Specifications

Construction

- Recessed housing is constructed from corrosion-resistant, glass reinforced polyester BMC molding compound
- Recessed housing and trim ring are sealed with a high temperature silicone molded gasket to prevent water intrusion
- The painted trim ring is precision machined from corrosion resistant 6061-T6 aluminum
- The trim ring is also available in machined C360 brass, C932 bronze*, C10 copper or 303/304 stainless steel, brass, bronze* or machined copper.
 - *For natural bronze ROHS material consult factory.

Finish

- The painted trim is double protected by a ROHS* compliant chemical film undercoating and polyester powder coat finish
- A variety of standard colors are available or RAL and custom color matches are available upon request
- Trims constructed from brass, bronze*, copper and stainless steel are left unpainted to reveal the natural beauty of the material
- Brass, bronze* and copper will patina naturally over time.

Lens

- Minimum 1/4" thick tempered glass lens, factory sealed with high temperature adhesive to prevent water intrusion
- Suitable for drive-over** applications up to 5000 pounds
 - **Drive over fixtures not qualified for roadway or heavy traffic applications.

Hardware

- Stainless steel hardware is standard to provide maximum corrosion-resistance

Electrical

- When ordered as a line voltage fixture, an integral 12V magnetic transformer is included for connection to 120V or 277V line voltage
- When ordered as a low voltage fixture, a remote 12V transformer is required (not included)
- Initial power draw on LED equipped fixtures is 12 watts. Nominal power draw after startup is 8 watts
- When sizing transformer use 12 watts per LED fixture
- The LED module is designed to operate within the range 12V +/- 1.2V. Any less or more voltage can cause premature failures
- Dimming only available for 120V option
- See technical notes for compatible dimmer switches

LED Sources

- LED sources can be included and are available in three color temperatures (2700,3000,4000) and three distributions (spot, narrow, and flood)
- Both color temperature and distribution must be specified when ordering

Recessed Housing

- Recessed housing can be ordered separately to ship in advance of complete fixture for rough-in purposes. Utilize the "-LBB" option and order the recessed housing "600-BB" separately.
- Equipped with two 1/2"-14 NPSM conduit fittings for through wiring

Compliance

- UL and cUL listed, standard wet label
- IP 67 rated
- BABA domestic preference option meets BABA requirements. BABA products meet minimum government compliance requirements for Buy America Build America standard, part of the Infrastructure and Investment Jobs Act (IIJA). Individual government agencies may have more stringent compliance standards
- See [DOMESTIC PREFERENCES](#) website or consult the CLS Domestic Preferences team for more information

Warranty

- Lumière warrants its fixtures against defects in materials & workmanship for three (3) years.
- Auxiliary equipment such as transformers carry the original manufacturer's warranty

**Drive over fixtures not qualified for roadway or heavy traffic applications.

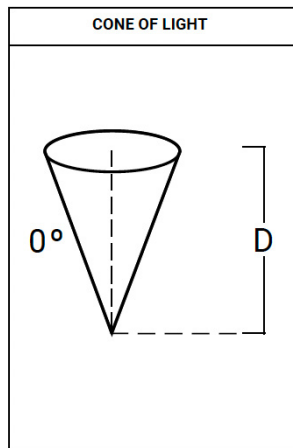
BOCA 696 LED Photometric Data

[View IES files](#)

LED Lumen and CBCP Table - 3000K

Beam Angle	Optical Configuration	Standard Trim (Black)		
		CBCP	LUMENS	LPW
10	BASE	6047	355	44.4
	+DIFF	996	290	36.3
	+LSL	1325	313	39.2
	+LVR	5330	245	31.1
	+OSL	1705	332	42.0
25	BASE	2721	422	54.1
	+DIFF	769	342	43.9
	+LSL	804	379	48.6
	+LVR	2423	289	37.1
	+OSL	1468	287	49.7
36	BASE	1157	413	53.7
	+DIFF	548	340	44.2
	+LSL	491	375	48.7
	+LVR	1042	271	35.2
	+OSL	940	388	50.5

Horizontal Illuminance on Surface - Boca 696 Standard Trim in Black - 3000K



Filename: 696-FL-8LED3010-12-BK.ies			
Test No.: P349420			
Distance	FC	Beam Diameter	
2'	1939.5	0.4	
4'	484.9	0.8	
6'	215.5	1.2	
8'	121.2	1.6	
10'	77.6	2	
15'	34.5	3	
20'	19.4	4.2	
30'	8.6	6.2	
40'	4.8	8.4	

Filename: 696-FL-8LED3025-12-BK.ies			
Test No.: P349500			
Distance	FC	Beam Diameter	
2'	863.4	0.6	
4'	215.9	1.2	
6'	95.9	1.8	
8'	54	2.4	
10'	34.5	3	
15'	15.3	4.6	
20'	8.6	6.2	
30'	3.8	9.2	
40'	2.2	12.4	

Filename: 696-FL-8LED3036-12-BK.ies			
Test No.: P349485			
Distance	FC	Beam Diameter	
2'	367.2	1	
4'	91.8	2.2	
6'	40.8	3.4	
8'	22.9	4.6	
10'	14.7	5.8	
15'	6.5	8.6	
20'	3.7	11.6	
30'	1.6	17.4	
40'	0.9	23.2	

CCT Multiplier Table

CCT (K) / Color	Multiplier
2700K	1.04
3000K	1.00
4000K	0.78

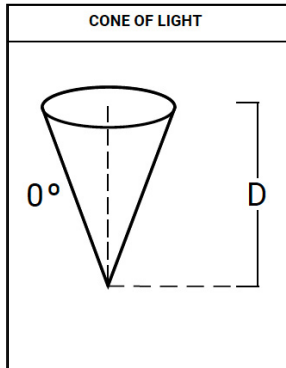
NOTES: Multiplier can be used to calculate center beam candle power (CBCP), Lumens and footcandle (FC) values.

Technical Notes

1. Dimming is dependant on remote transformer compatibility with LED module. Please see compatibility matrix for dimmer switch and transformer selection.
2. When using a magnetic dimmer switch there are two recommended LED compatible 120V magnetic dimming switches: Lutron Ariadni AVLV-600P and Lutron Diva DVLV-600P
3. IMPORTANT: When sizing transformer use 12 watts per LED fixture. Nominal power draw after start up is 8 watts. Any less or more voltage can cause premature failures.

BOCA 696 MR16 Halogen Photometric Data

[View IES files](#)



Horizontal Illuminance on Surface - Boca 696 Standard Trim in Black - 50W MR16

Filename	696-50MR16-12-BK-NSP.ies	
Lamp	50W MR16 NSP	
CBCP	11,000	
D	FC	Beam Diameter
2'	2550	1'6"
4'	638	1'0"
6'	283	1'6"
8'	159	2'0"
10'	102	3'0"
15'	45	4'0"

Filename	696-50MR16-12-BK-NFL.ies	
Lamp	50W MR16 NFL	
CBCP	3,200	
D	FC	Beam Diameter
2'	725	1'0"
4'	181	2'6"
6'	81	4'0"
8'	45	5'0"
10'	29	6'6"
15'	13	10'0"

Wattage Multiplier Table

Lamp wattage	Multiplier
20W	0.32
35W	0.57

Filename	696-50MR16-12-BK-FL.ies	
Lamp	50W MR16 FL	
CBCP	2,000	
D	FC	Beam Diameter
2'	431	1'6"
4'	106	3'0"
6'	48	5'0"
8'	27	6'6"
10'	17	8'0"
15'	7	12'0"

Filename	696-50MR16-12-BK-WFL.ies	
Lamp	50W MR16 WFL	
CBCP	1,200	
D	FC	Beam Diameter
2'	269	2'0"
4'	67	4'6"
6'	30	7'6"
8'	17	9'0"
10'	11	11'6"
15'	5	17'0"

NOTES:

- Beam diameter is to 50% of maximum footcandles, rounded to the nearest half-foot.
- Footcandle values are initial. Apply appropriate light loss factors where necessary.
- Bare lamp data shown. Consult lamp manufacturers to obtain detailed specifications for their lamps.