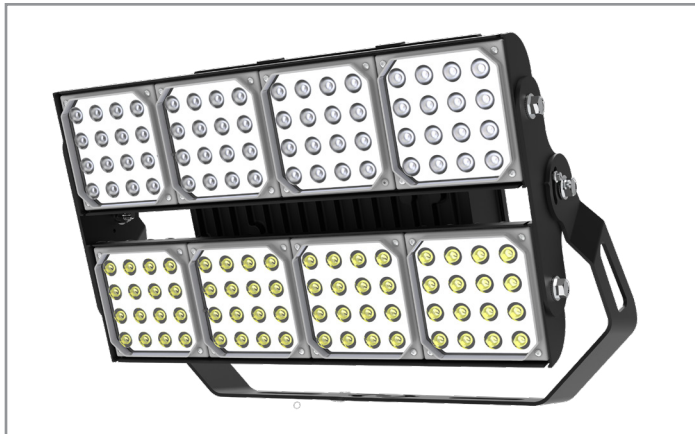


Project		Catalog #		Type	
Prepared by		Notes		Date	



# Ephesus

## LUMAVISION

CCT Tunable or Fixed-Color White LED Sports & Entertainment Luminaire

### Typical Applications

- Aerial and Ground Sports Venues • Multi-Event Centers
- Gymnasiums & Field Houses • Outdoor Courts • Basketball Courts
- Tennis Courts • Pickleball Courts • Volleyball Courts • Playgrounds & Skateparks
- Parks and Recreation Venues • Ice Hockey & Skating Arenas

### Interactive Menu

- Ordering Information [page 2](#)
- Performance Data [page 3](#)
- Ordering Information Accessories [page 6](#)
- Accessory Details [page 6](#)
- Dimensional and Mounting Details [page 9 - 24](#)
- Sample System Topology [page 25](#)

### Product Certification



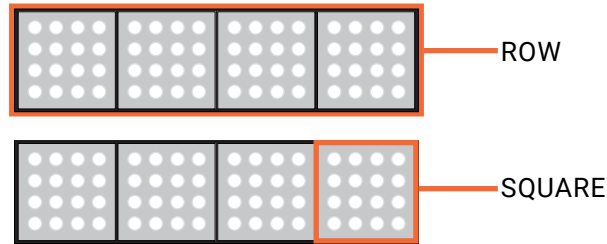
## Top Product Features

- **Optical Performance**
  - **AccuLED Optics™:** LumaVision utilizes patented and industry leading UV coated AccuLED Optics™ preventing yellowing and degradation over time.
  - **Glare and Spill Light Control:** Twenty (20) available beam distributions provide the flexibility and performance required for indoor and outdoor sports lighting.
  - **CCT Pro Tuning Option:** Allows for a tunable color temperature range of 3000K-6500K.
  - **Dark Sky Compliance Capable:** Light your game for the players and the community
- **Reliability**
  - **Built To Perform:** Thermally managed driver and LED housing provides demonstrated reliability confidence.
  - **L90:** With a 90,000+ hour rated life (at greater than 90% lumen maintenance), the LumaVision LED luminaire is designed for long life.
- **Take Control of Your System**
  - Compatible with the Ephesus control ecosystem, putting the control of your system in the palm of your hand.
- **Ease of Installation**
  - 6 flexible indoor/outdoor mounting options
- **Customizable**
  - 7 factory custom color options.
- **Accessories**
  - Custom visors provide additional cutoff and spill light control. Sport specific impact resistance technologies reduce maintenance on the system.

[Installation Manual](#)

## Product Model Terminology

Model Name	Description
LumaVision 3	1 Row, 3 Squares
LumaVision 4	1 Row, 4 Squares
LumaVision 6	2 Rows, 6 Squares
LumaVision 7	2 Rows, 7 Squares
LumaVision 8	2 Rows, 8 Squares



## Order Information -

NOTE: A complete fixture order requires a selection entry for **Brand, Family, Model, Drive Current, Voltage, Color, Trim Option, Mount, CRI/CCT, Optic, Control, Power Cable (AC), Surge Options, Construction Options.**

SAMPLE ORDER NUMBER: **EPH-VN-08-D-HV-AP-WHT-YOKE-930-11-010-A07-10MSP-ST**

Brand	Family	Model	Drive Current	Voltage	Color	Trim Option
<b>EPH</b> = Ephesus, Standard <b>TAA</b> =Trade Agreements Act <sup>1</sup>	<b>VN</b> = LumaVision	<b>03</b> = 3 Light Squares <sup>3</sup> <b>04</b> = 4 Light Squares <sup>3</sup> <b>06</b> = 6 Light Squares <sup>4</sup> <b>07</b> = 7 Light Squares <sup>4</sup> <b>08</b> = 8 Light Squares <sup>4</sup>	<b>D</b> = 1200 mA <sup>5</sup> <b>E</b> = 1500 mA	<b>HV</b> = High Voltage <b>LV</b> = Low Voltage	<b>AP</b> = Grey (Standard) <b>BK</b> = Black <b>BZ</b> = Bronze <b>WH</b> = White <b>GR</b> = Green <b>GM</b> = Graphite Metallic <b>DP</b> = Dark Platinum	<b>WHT</b> = White (Standard) <b>LCF</b> = Trim painted to match color <sup>6</sup>
Notes: (1) Only product configurations with this designated prefix are built to be compliant with the Trade Agreements Act of 1979 (TAA). Please refer to <a href="#">DOMESTIC PREFERENCES</a> website for more information. Components shipped separately may be separately analyzed under domestic preference requirements.	Notes:	Notes: (2) <b>PRO</b> = CCT Tuning 3000-6500K option only available in <b>04, 06, and 08</b> Models (3) Single Bar Configuration (4) Double Bar Configuration	Notes: (5) Available as a reduced drive current option for models with HA or HSS. <b>D</b> option also available for higher efficacy 8 square model.	Notes: <b>HV</b> = 347-480 VAC <b>LV</b> = 120-277 VAC	Notes:	Notes: (6) <b>LCF</b> Not available with optical types <b>33, 44, 55, 66, 77</b> and <b>LAM</b>

Mount	CRI/CCT	Optic	Control	Power Cable (AC)	Surge Options	Construction Options
<b>YOKE</b> = Yoke (Standard) <sup>7</sup> <b>PNDT</b> = Pendant <b>AAJL</b> = Adjustable arm direct pole mount <sup>7, 9</sup> <b>AAJC</b> = Adjustable arm direct pole (cord through housing) <sup>7</sup> <b>ADJL</b> = Slipfitter (Leads through slipfitter) <sup>7, 8, 9</sup> <b>ADJC</b> = Slipfitter (Cord through housing) <sup>7, 8</sup>	<b>730</b> = 70CRI, 3000K <b>735</b> = 70CRI, 3500K <b>740</b> = 70CRI, 4000K <b>750</b> = 70CRI, 5000K <b>760</b> = 70CRI, 5700K <b>930</b> = 90CRI, 3000K <b>935</b> = 90CRI, 3500K <b>940</b> = 90CRI, 4000K <b>950</b> = 90CRI, 5000K <b>PRO</b> = CCT Tuning 3000-6500K <sup>10</sup>	<b>33</b> = NEMA 3H x 3V <sup>11</sup> <b>44</b> = NEMA 4H x 4V <sup>11</sup> <b>55</b> = NEMA 5H x 5V <sup>11</sup> <b>66</b> = NEMA 6H x 6V <sup>11</sup> <b>77</b> = NEMA 7H x 7V <b>LAM</b> = Lambertian Distribution <b>T1</b> = Type I <b>T2</b> = Type II <b>T2R</b> = Type II Roadway <b>T3</b> = Type III <b>T3R</b> = Type III Roadway <b>T4FT</b> = Type IV Forward Throw <b>T4W</b> = Type IV Wide <b>5NQ</b> = Type V Narrow <b>5MQ</b> = Type V Square Medium <b>5WQ</b> = Type V Square Wide <b>SL2</b> = Type II w/Spill Control <b>SL3</b> = Type III w/Spill Control <b>SL4</b> = Type IV w/Spill Control <b>RW</b> = Rectangular Wide Type I	<b>010</b> = 0-10V (Standard) <b>AMS</b> = AirMesh <sup>11</sup> <b>DAL</b> = DALI <b>LBI</b> = DMX, Indoor <sup>12</sup> <b>LBO</b> = DMX, Outdoor <sup>12</sup>	<b>NC</b> = No Cord <b>A05</b> = 5ft cable <b>A07</b> = 7ft cable (Standard) <b>A10</b> = 10ft cable <b>A15</b> = 15ft cable <b>BH3</b> = 3 Pin Connector on AC, 3ft Standard Cable	<b>10MSP</b> = Parallel 10kV MOV Surge Protective Device (Standard) <b>20MSP</b> = Parallel 20kV MOV Surge Protective Device	<b>ST</b> = Standard <b>HA</b> = 50°C High Ambient <sup>16</sup> <b>CC</b> = Coastal Construction finish <b>HSS</b> = House Side Shield <sup>15, 16</sup>
Notes: (7) 3G Vibration Rated Per ANSI C136.31-2010 (8) Slipfitter mount to fasten luminaire to a 3 inch outer diameter tenon size. (9) Must use <b>NC</b> -No Cord for power cable (AC) option	Notes: (10) Available for 4 Square, 6 Square and 8 Square models. Requires an AMS, LBI or LBO control option. Only compatible with optics 33, 44, 55, 66, 77 or LAM.	Notes: (11) For downlight applications only, if uplight is required contact Ephesus for more details.	Notes: <b>010</b> = 5C/16 BLK Cord <b>AMS</b> = 3C/16 BLK Cord <b>DAL</b> = 5C/16 BLK Cord (11) For downlight applications only, if uplight is required contact Ephesus for more details. (12) DMX indoor is two XLR cables, DMX outdoor is a single 5-conductor cable for watertight connection. Not compatible with AAJC, ADJL or ADJC mounts. For more details on DMX system response rates please refer to the product installation manual.	Notes: (13) Power cable (AC) connecting the Driver Box to the electrical power source. <b>NC</b> -No Cord required for ADJL and AAJL mounting types. All other options require a cord length selection.	Notes: (14) Contact ephesus for additional protection options.	Notes: (15) Not available with optical types <b>33, 44, 55, 66, 77, LAM, T1, 5NQ, 5MQ, 5WQ &amp; RW</b> (16) Can not be used with drive current type <b>E</b> = 1500mA

DesignLights Consortium® Qualified. Refer to [www.designlights.org](http://www.designlights.org) Qualified Products List under Family Models for details

## Performance Data<sup>1</sup>

	LumaVision 3	LumaVision 4	LumaVision 6	LumaVision 7	LumaVision 8
<b>Nominal Lumen Output (at 70 CRI)<sup>2</sup></b>	28000	36000	55000	60000	73000
<b>Nominal Lumen Output (at 90 CRI)<sup>3</sup></b>	20200	26200	39700	42300	52000
<b>Nominal Power<sup>4</sup></b>	232	304	464	532	627
<b>Voltage Range (Low)</b>	120-277VAC				
<b>Voltage Range (High)</b>	347 - 480VAC				
<b>Efficacy (lm/W)</b>	121	119	119	111	116
<b>CRI<sup>5</sup></b>	70, 90 CRI				
<b>TLCI (at 90 CRI)<sup>5</sup></b>	92				
<b>CCT Range (at 70 CRI)</b>	3000-5700K				
<b>CCT Range (at 90 CRI)</b>	3000-5000K				
<b>CCT Tunable Range (PRO Option)</b>	3000-6500K				
<b>Distribution (NEMA)</b>	Refer to Order Information on page 3 for optic options				
<b>Dimming Range</b>	10%-100%				
<b>Operating Temperature Range</b>	-40°C to +40°C				
<b>Usage</b>	INDOOR, OUTDOOR				
<b>Electrical Certifications</b>	FCC Part 15, UL8750, UL1598, DLC STANDARD				
<b>Environmental Certifications</b>	IP66; ANSI C136.31-2010, RoHS				
<b>Impact Certifications<sup>6</sup></b>	IK10 Rated				
<b>Surge</b>	10kV (standard), 20kV (option)				

Luminaire Approximate Weight <sup>7</sup>	LumaVision 3	LumaVision 4	LumaVision 6	LumaVision 7	LumaVision 8
<b>With Yoke Weight (LBS)</b>	24.25	26.44	45.93	50.58	50.58
<b>With Pendant (LBS)</b>	24.48	26.28	42.16	45.31	45.31
<b>With Slipfitter (LBS)</b>	27.8	29.98	45.53	46.49	46.49

### Mount Vibration Rating Per ANSI C136.31-2010

<b>YOKE = Yoke (Standard)</b>	3G				
<b>PNDT = Pendant</b>	N/A				
<b>AAJL = Adjustable arm direct pole mount</b>	3G				
<b>AAJC = Adjustable arm direct pole (cord through housing)</b>	3G				
<b>ADJL = Slipfitter (Leads through slipfitter)</b>	3G				
<b>ADJC= Slipfitter (Cord through housing)</b>	3G				

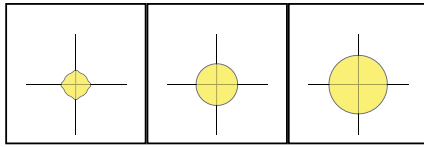
Effective Projected Area (EPA) <sup>8, 9</sup>	LumaVision 3	LumaVision 4	LumaVision 6	LumaVision 7	LumaVision 8
<b>YOKE = Yoke (Standard)</b>	1.61 (sq. ft.)	1.64 (sq. ft.)	2.38 (sq. ft.)	2.78 (sq. ft.)	2.78 (sq. ft.)
<b>PNDT = Pendant</b>	1.6 (sq. ft.)	1.89 (sq. ft.)	2.34 (sq. ft.)	2.9 (sq. ft.)	2.9 (sq. ft.)
<b>AAJL = Adjustable arm direct pole mount</b>	1.8 (sq. ft.)	1.8 (sq. ft.)	1.8 (sq. ft.)	1.8 (sq. ft.)	1.8 (sq. ft.)
<b>AAJC = Adjustable arm direct pole (cord through housing)</b>	1.8 (sq. ft.)	1.8 (sq. ft.)	1.8 (sq. ft.)	1.8 (sq. ft.)	1.8 (sq. ft.)
<b>ADJL = Slipfitter (Leads through slipfitter)</b>	1.77 (sq. ft.)	2.04 (sq. ft.)	2.47 (sq. ft.)	2.99 (sq. ft.)	2.99 (sq. ft.)
<b>ADJC= Slipfitter (Cord through housing)</b>	1.77 (sq. ft.)	2.04 (sq. ft.)	2.47 (sq. ft.)	2.99 (sq. ft.)	2.99 (sq. ft.)

### NOTES:

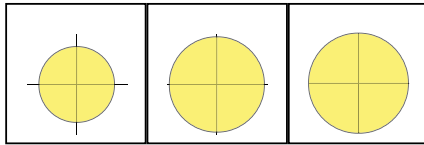
- (1) Specifications are subject to change without notice
- (2) Based on T4FT lens, 70 CRI, 5000K
- (3) Based on 66 lens, 90 CRI, 5000K
- (4) Values are +/- 5% when fixture is operated at 25°C ambient
- (5) Values are +/- 3 points
- (6) IK10 Rating applies to LumaVision configurations using the Vandal Shield accessory. (VSH3, VSH4, VSH6, VSH7, VSH8)
- (7) Weight varies depending on mounting bracket, lighthouse and driverbox selection
- (8) Calculated with luminaire aimed 45° to the ground
- (9) EPA varies depending on the aiming angle of the fixture

LUMAVISION AccuLED Optics™

Symmetrical

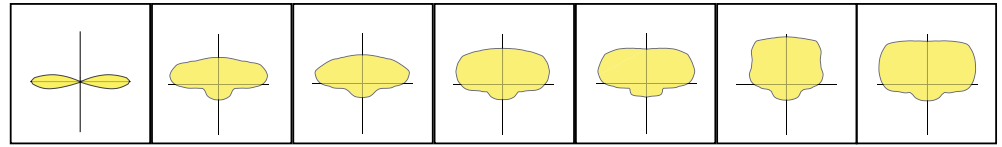


33 = NEMA 3H x 3V    44 = NEMA 4H x 4V    55 = NEMA 5H x 5V

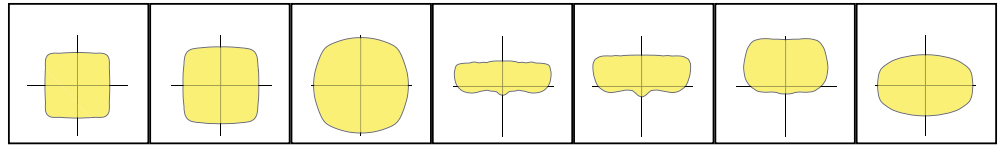


66 = NEMA 6H x 6V    77 = NEMA 7H x 7V    LAM = Lambertian Distribution

Asymmetrical

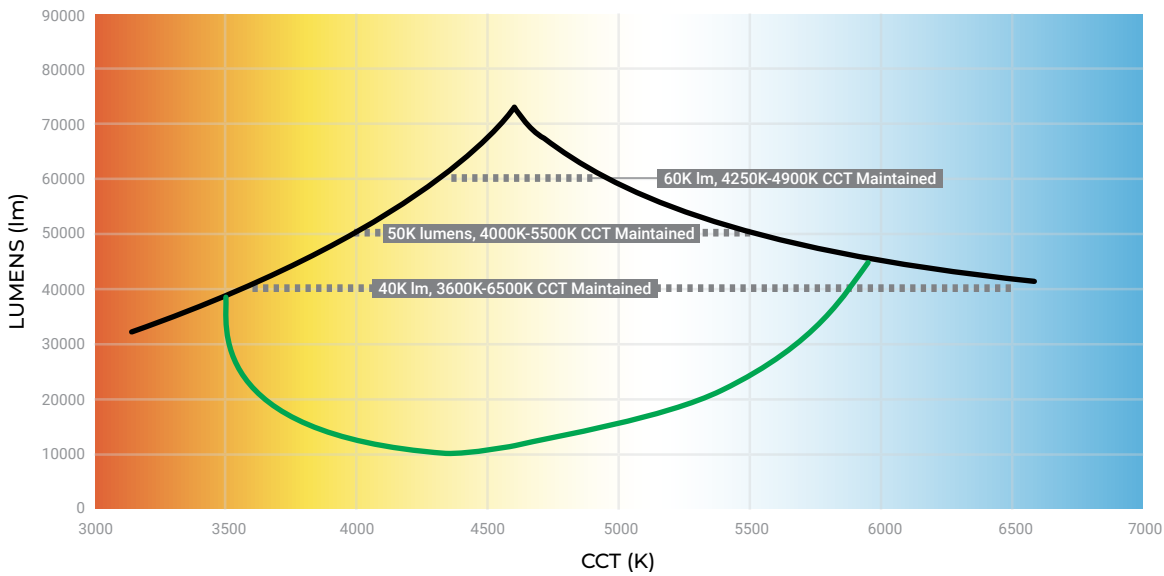


T1 = Type I    T2 = Type II    T2R = Type II Roadway    T3 = Type III    T3R = Type III Roadway    T4FT = Type IV Forward Throw    T4W = Type IV Wide



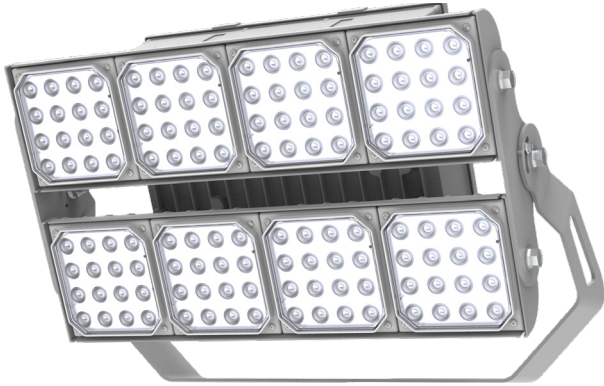
5NQ = Type V Narrow    5MQ = Type V Square Medium    5WQ = Type V Square Wide    SL2 = Type II w/Spill Control    SL3 = Type III w/Spill Control    SL4 = Type IV w/Spill Control    RW = Rectangular Wide Type I

LUMAVISION CCT PRO TUNING OPERATING RANGE



Key	
	Max Lumen Curve
	Min Dimming Curve

Color Options



**AP = GREY (STANDARD)**

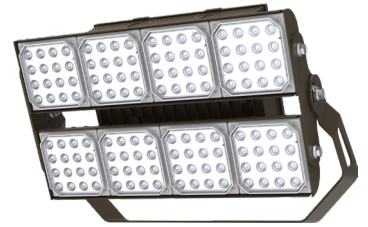
AP = GREY (STANDARD)	BK = BLACK	BZ = BRONZE	WH = WHITE	GR = GREEN	GM = GRAPHITE METALLIC	DP = DARK PLATINUM
----------------------	------------	-------------	------------	------------	------------------------	--------------------

- Customizeable color options (7 options)
- Factory custom built accessories

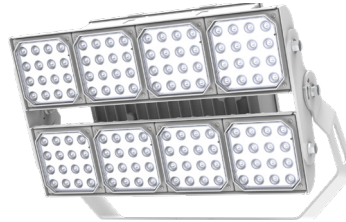
Note: colors may appear differently based on viewing device.



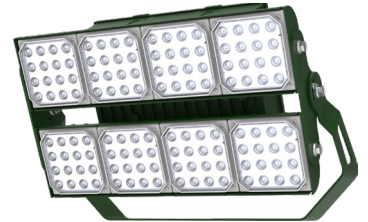
**BK = BLACK**



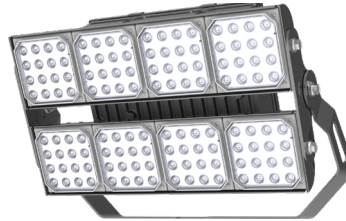
**BZ = BRONZE**



**WH = WHITE**



**GR = GREEN**



**GM = GRAPHITE METALLIC**



**DP = DARK PLATINUM**

## Ordering Information for External Accessories

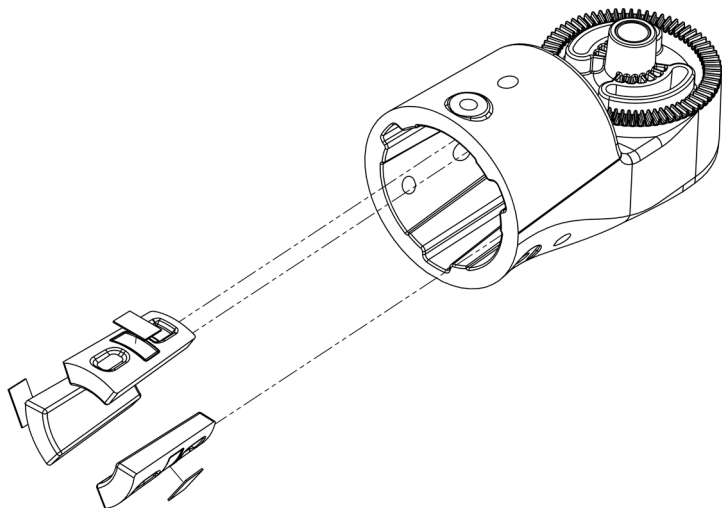
NOTE: A complete accessory order requires a selection entry for **Brand, Family, Accessory, Visor Color (If applicable)**.

SAMPLE ORDER NUMBER: **EPH-VN-VIS3-AP**

Brand	Family	Accessory	Visor Color	
EPH = Ephesus	VN = LumaVision	<b>VIS3</b> = Visor for Model <b>03</b> = 3 Light Squares <b>VIS4</b> = Visor for Model <b>04</b> = 4 Light Squares <b>VIS6</b> = Visor for Model <b>06</b> = 6 Light Squares <b>VIS7</b> = Visor for Model <b>07</b> = 7 Light Squares <b>VIS8</b> = Visor for Model <b>08</b> = 8 Light Squares	<b>AP</b> = Grey (Standard) <b>BK</b> = Black <b>BZ</b> = Bronze <b>WH</b> = White <b>GR</b> = Green <b>GM</b> = Graphite Metallic <b>DP</b> = Dark Platinum	For additional cutoff and spill light control.
		<b>VSH3</b> = Vandal Shield for Model <b>03</b> = 3 Light Squares <b>VSH4</b> = Vandal Shield for Model <b>04</b> = 4 Light Squares <b>VSH6</b> = Vandal Shield for Model <b>06</b> = 6 Light Squares <b>VSH7</b> = Vandal Shield for Model <b>07</b> = 7 Light Squares <b>VSH8</b> = Vandal Shield for Model <b>08</b> = 8 Light Squares		IK10 rated polycarbonate shield improves impact resistance to small projectiles (ie. rocks, or pellets).
		<b>WRG3</b> = Wire Guard for Model <b>03</b> = 3 Light Squares <b>WRG4</b> = Wire Guard for Model <b>04</b> = 4 Light Squares <b>WRG6</b> = Wire Guard for Model <b>06</b> = 6 Light Squares <b>WRG7</b> = Wire Guard for Model <b>07</b> = 7 Light Squares <b>WRG8</b> = Wire Guard for Model <b>08</b> = 8 Light Squares		Stainless steel cage improves impact resistance to large projectiles (ie. basketball, pucks).
		<b>SRA238</b> = Slipfitter Spacer		Used with the <b>ADJC</b> & <b>ADJL</b> Slipfitter mount to fasten luminaire to a 2 3/8in outer diameter tenon size.
		<b>HWCB</b> = Center Bolt Mount Fastening Hardware		Center Bolt Mount with a 3/4 - 10 x 1.75in bolt in the center of pendant mount. Fastening hardware used to replace common Arena Mounting style "CS" for catwalk brackets and other center stud mount applications.
		<b>HWMM</b> = Multi-Point Mount Fastening Hardware		Multi-Point Mounting with 2 qty. 5/16-18 x 1.25in bolts on either edge of the pendant yoke. Can be paired with "HWCB" or "HWCN" as necessary.
		<b>HWCN</b> = Conduit Nuts Fastening Hardware		Two Conduit Nuts to attach a standard 3/4in threaded conduit to the center of the pendant mount yoke. Equivalent to the Arena "MM" multi-mount style mount when paired with "HWMM".
Notes:				

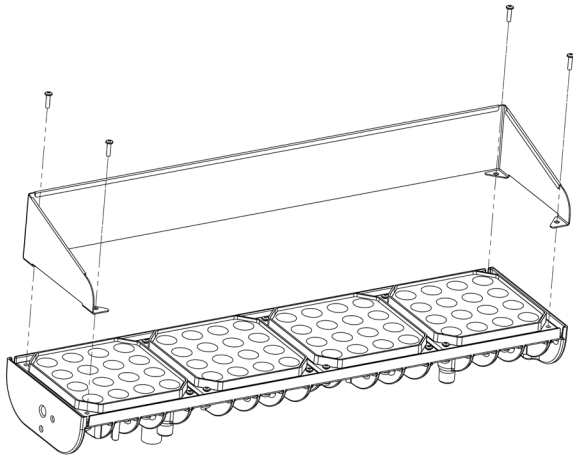
Specifications and dimensions subject to change without notice. Consult your lighting representative at Ephesus Sports Lighting or visit [www.EphesusLighting.com](http://www.EphesusLighting.com) for available options, accessories and ordering information.

### Mounting Accessory Part Details:



**Slipfitter Spacer (SRA238)**

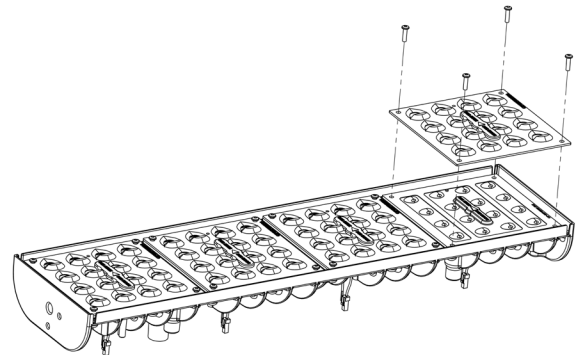
External Optical Cut-off Accessory Part Details:



Visor Full Bar (VIS) Parts<sup>1</sup>

ITEM NO.	DESCRIPTION	WEIGHT (LBS)
VIS3	Visor for Model 03 = 3 Light Squares	1.19
VIS4	Visor for Model 04 = 4 Light Squares	1.46
VIS6	Visor for Model 06 = 6 Light Squares	2.38
VIS7	Visor for Model 07 = 7 Light Squares	2.65
VIS8	Visor for Model 08 = 8 Light Squares	2.92

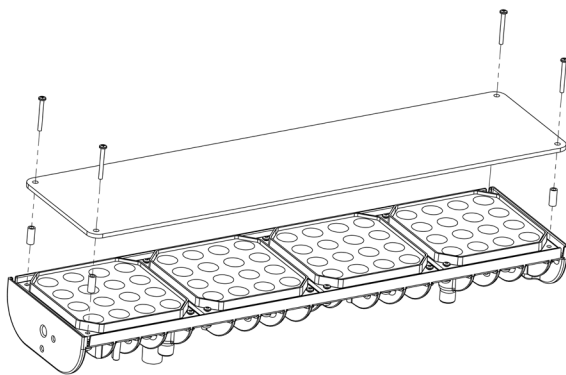
<sup>1</sup>image shown in EPH-VN-VIS4-XX configuration. See page 5 for color options.



House Side Shield (HSS)

Factory Installation only

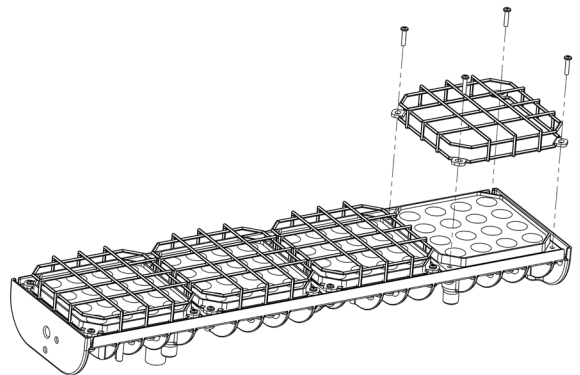
External Impact Shield and Guard Accessory Part Details:



Vandal Shield (VSH) Parts<sup>1</sup>

ITEM NO.	DESCRIPTION	WEIGHT (LBS)
VSH3	Vandal Shield for Model 03 = 3 Light Squares	0.78
VSH4	Vandal Shield for Model 04 = 4 Light Squares	1.04
VSH6	Vandal Shield for Model 06 = 6 Light Squares	1.56
VSH7	Vandal Shield for Model 07 = 7 Light Squares	1.82
VSH8	Vandal Shield for Model 08 = 8 Light Squares	2.08

<sup>1</sup>image shown in EPH-VN-VSH4 configuration

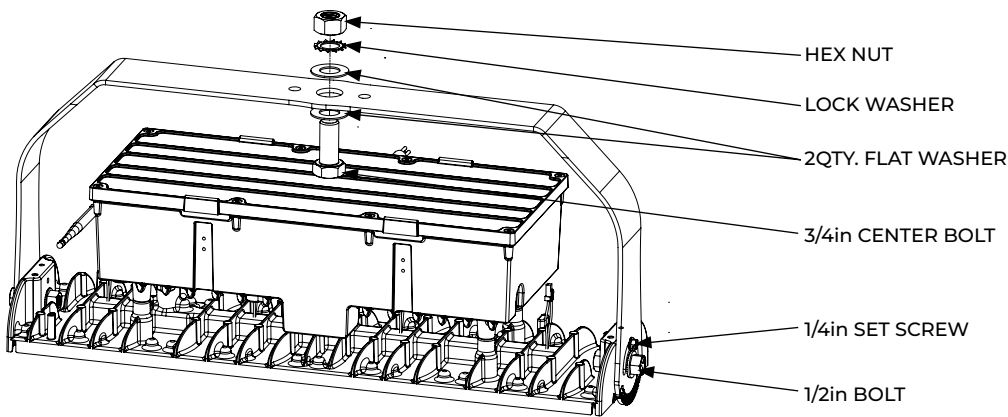


Wire Guard (WRG) Parts<sup>1</sup>

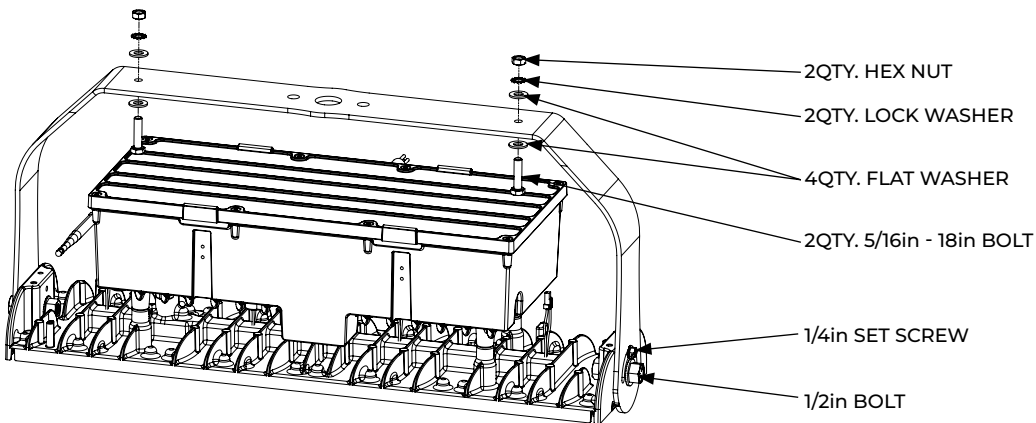
ITEM NO.	DESCRIPTION	WEIGHT (LBS)
WRG3	Wire Guard for Model 03 = 3 Light Squares	1.08
WRG4	Wire Guard for Model 04 = 4 Light Squares	1.44
WRG6	Wire Guard for Model 06 = 6 Light Squares	2.16
WRG7	Wire Guard for Model 07 = 7 Light Squares	2.52
WRG8	Wire Guard for Model 08 = 8 Light Squares	2.88

<sup>1</sup>image shown in EPH-VN-WRG4 configuration

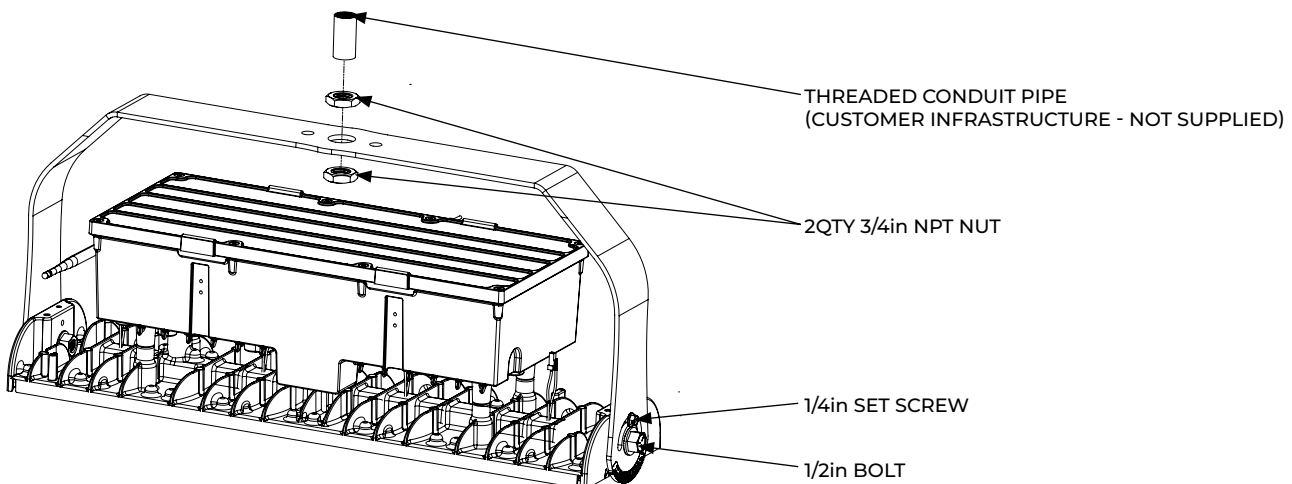
**Fastening Hardware Accessory Part Details:**



**Center Bolt Mount Fastening Hardware (HWCB)**



**Multi-point Mount Fastening Hardware (HWMM)**



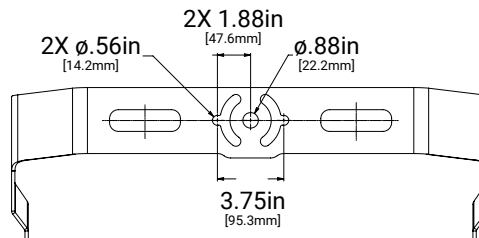
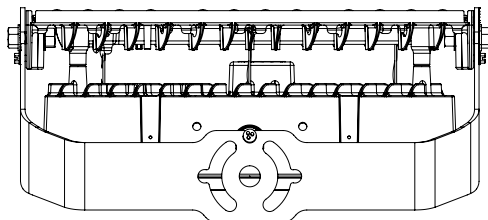
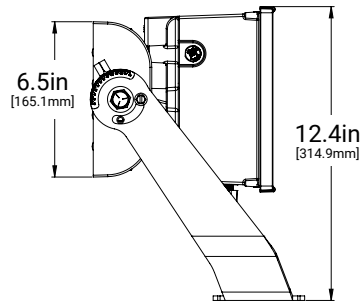
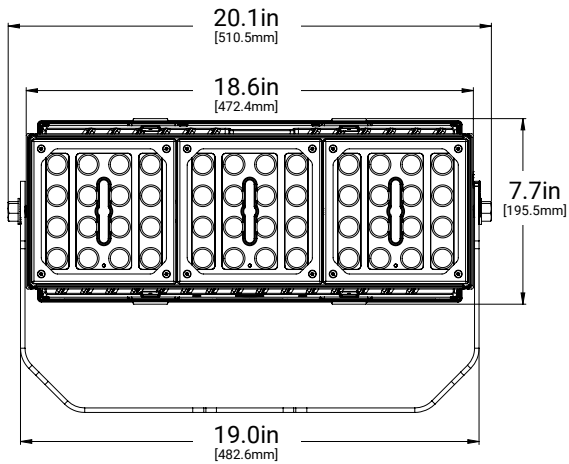
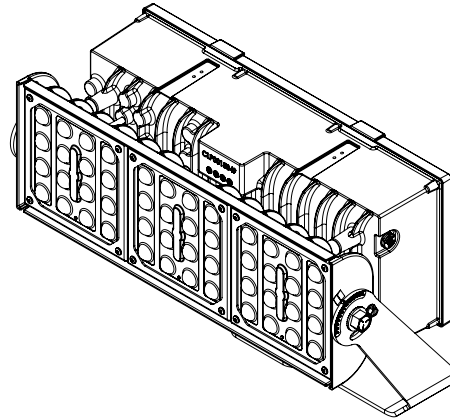
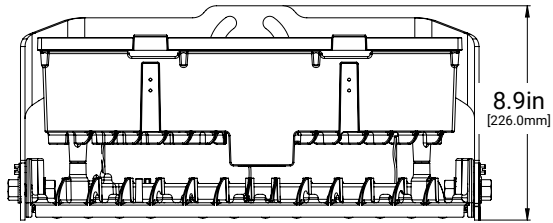
**Conduit Nuts Fastening Hardware (HWCN)**

Dimensional & Mounting Details

PRODUCT FAMILY: LUMAVISION

MODEL: 3

MOUNT TYPE: YOKE (YOKE MOUNT)

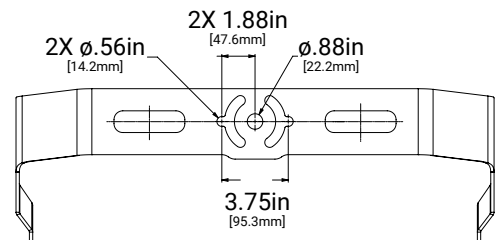
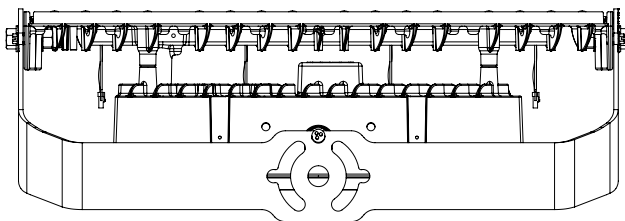
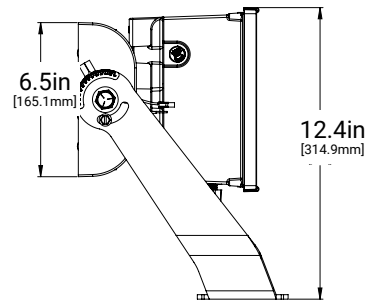
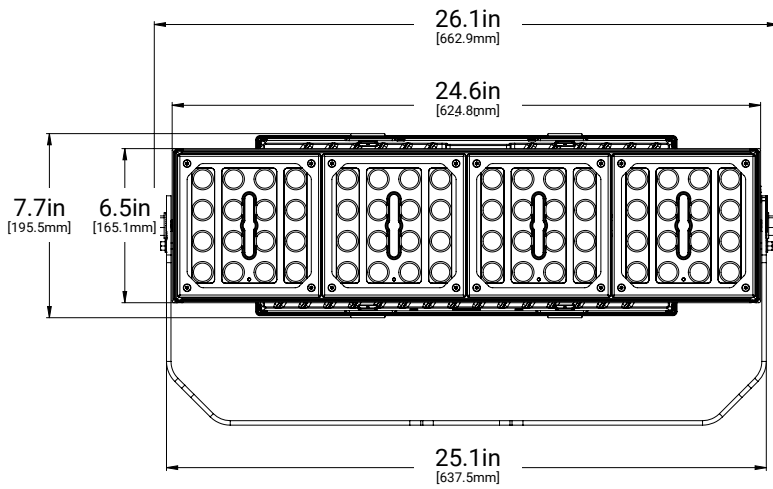
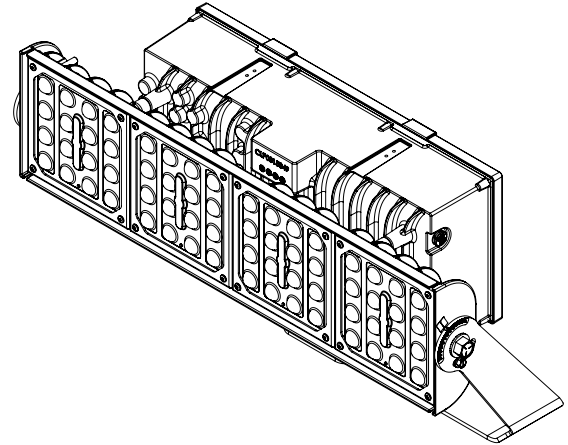
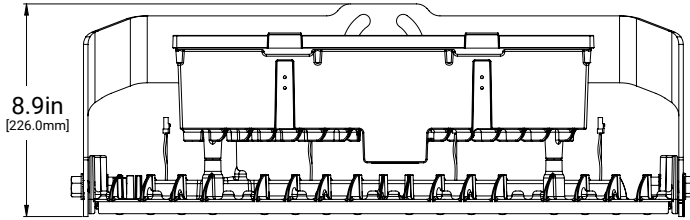


Dimensional & Mounting Details

PRODUCT FAMILY: LUMAVISION

MODEL: 4

MOUNT TYPE: YOKE (YOKE MOUNT)

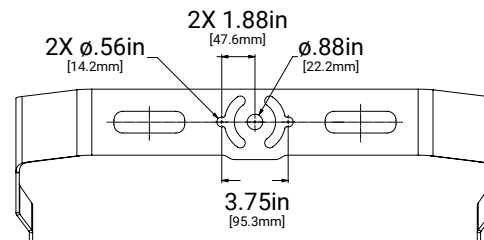
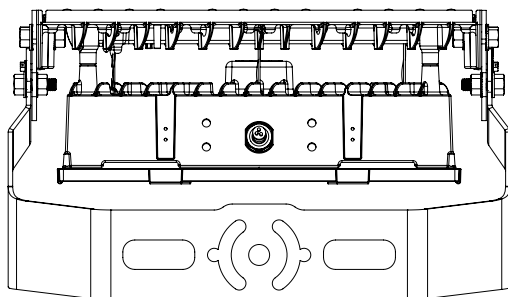
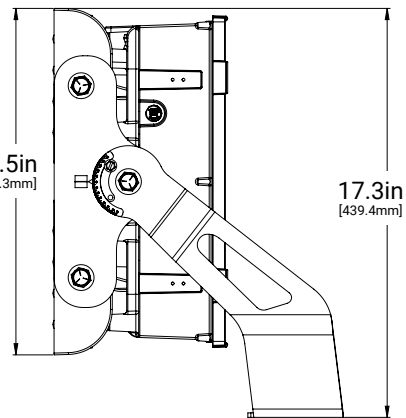
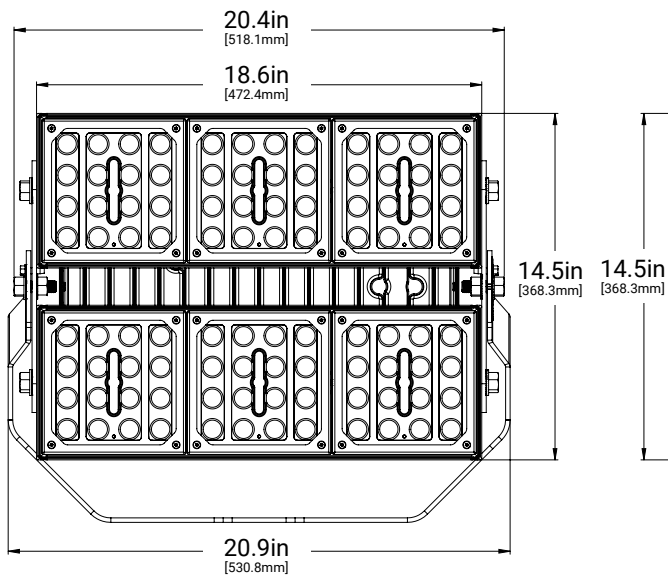
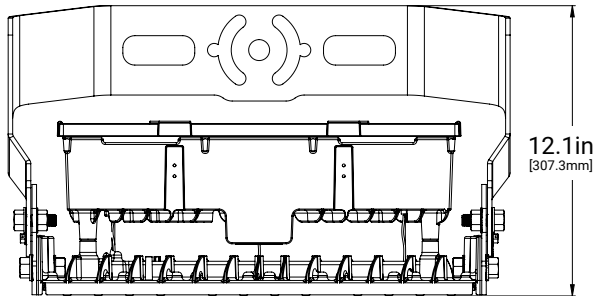


Dimensional & Mounting Details

PRODUCT FAMILY: LUMAVISION

MODEL: 6

MOUNT TYPE: YOKE (YOKE MOUNT)

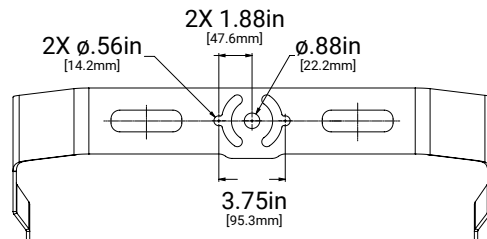
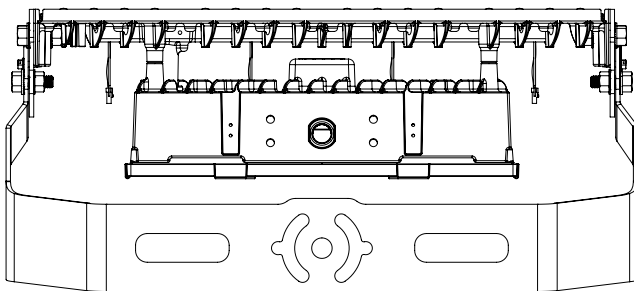
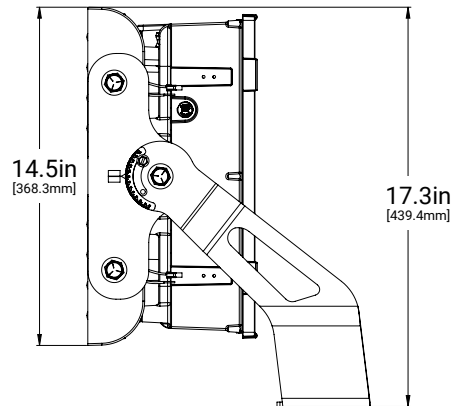
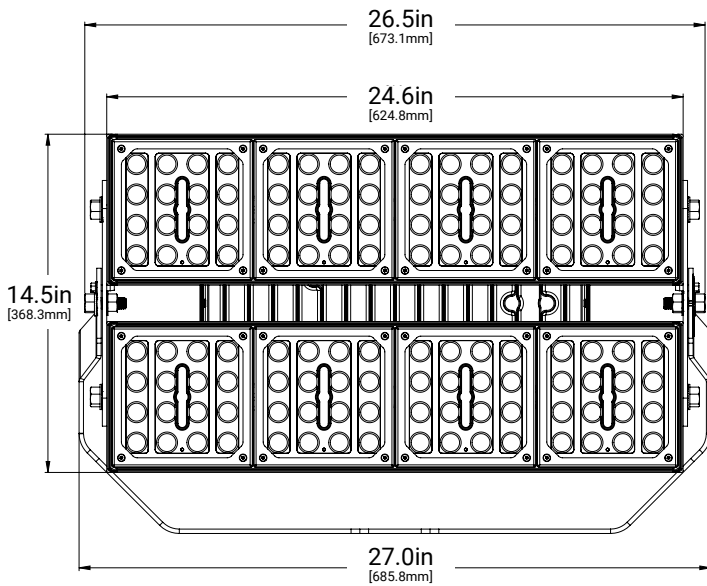
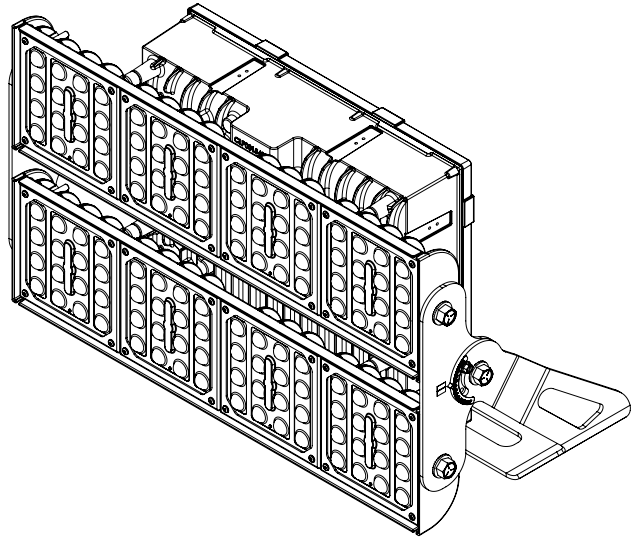
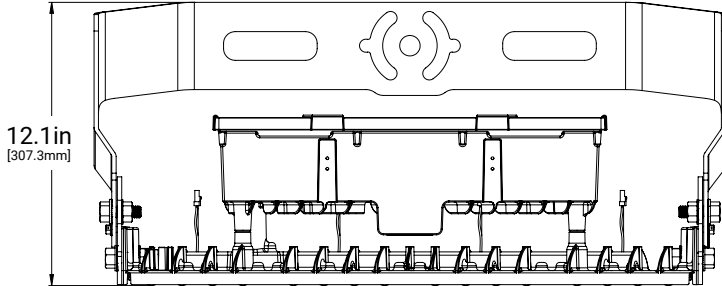


Dimensional & Mounting Details

PRODUCT FAMILY: LUMAVISION

MODEL: 7 & 8

MOUNT TYPE: YOKE (YOKE MOUNT)

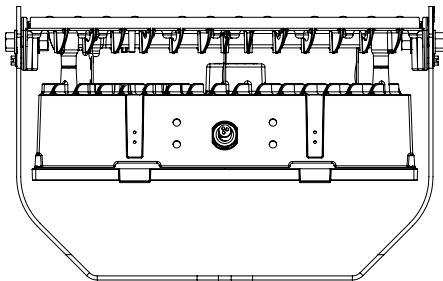
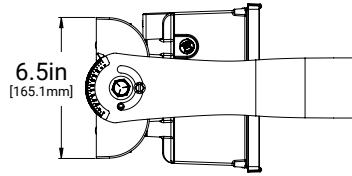
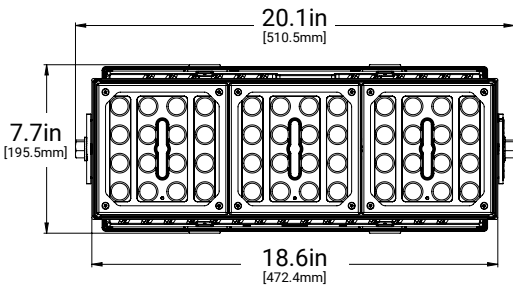
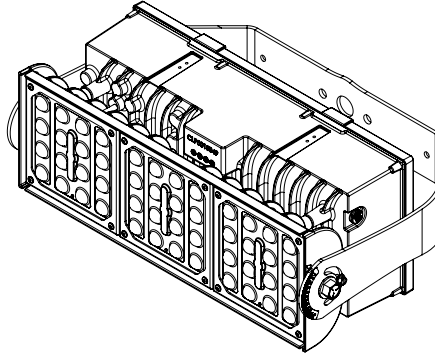
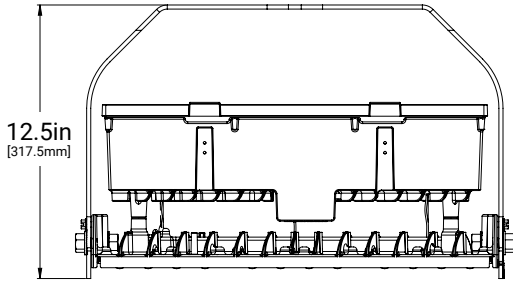


Dimensional & Mounting Details

PRODUCT FAMILY: LUMAVISION

MODEL: 3

MOUNT TYPE: PNDT (PENDANT MOUNT)

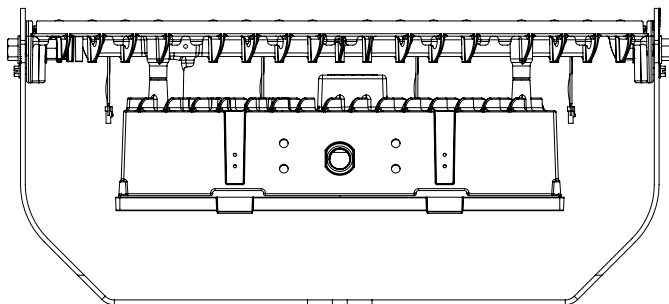
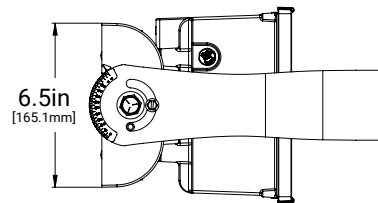
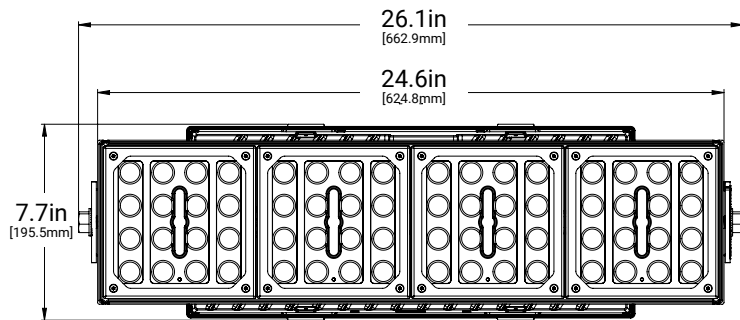
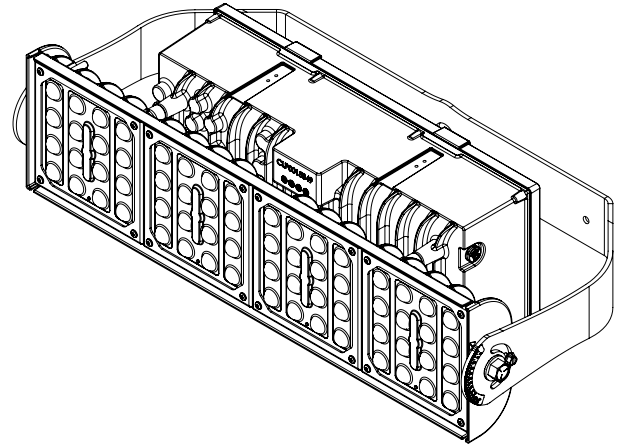
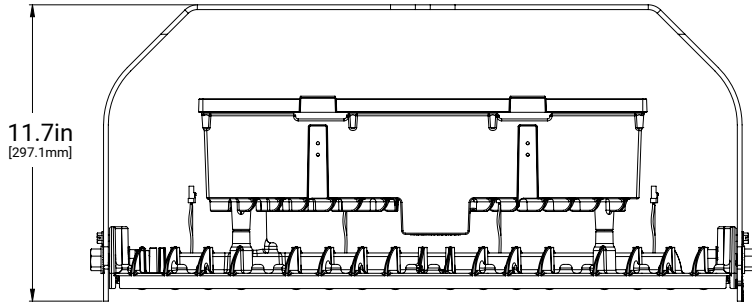


Dimensional & Mounting Details

PRODUCT FAMILY: LUMAVISION

MODEL: 4

MOUNT TYPE: PNDT (PENDANT MOUNT)

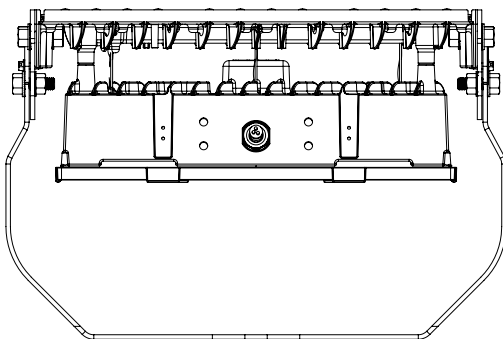
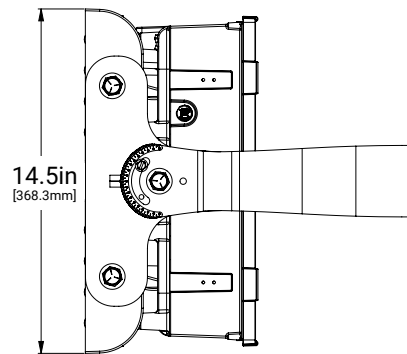
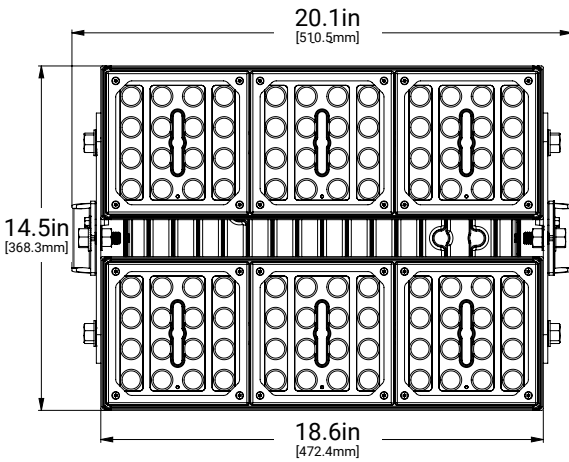
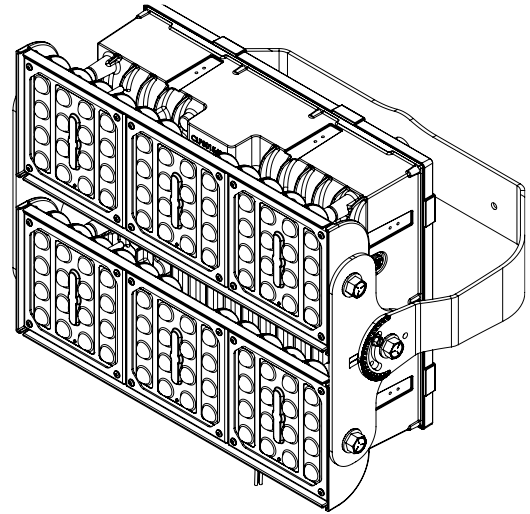
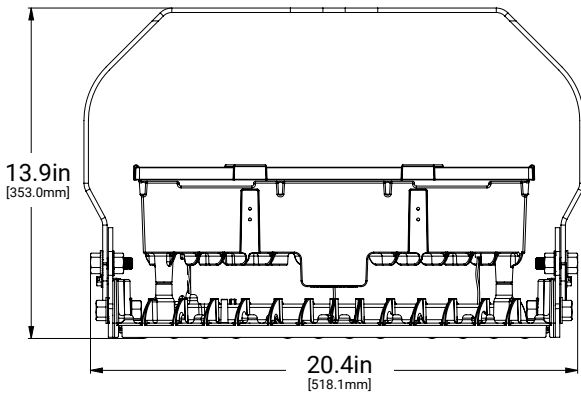


Dimensional & Mounting Details

PRODUCT FAMILY: LUMAVISION

MODEL: 6

MOUNT TYPE: PNDT (PENDANT MOUNT)

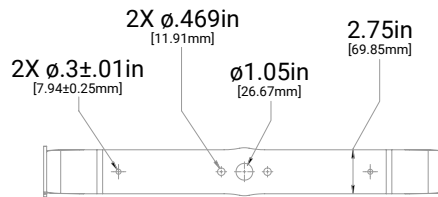
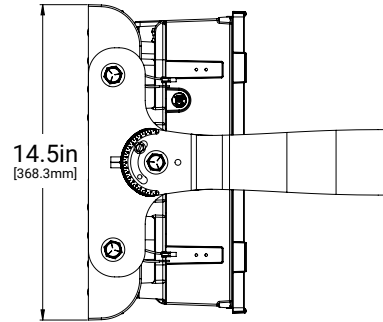
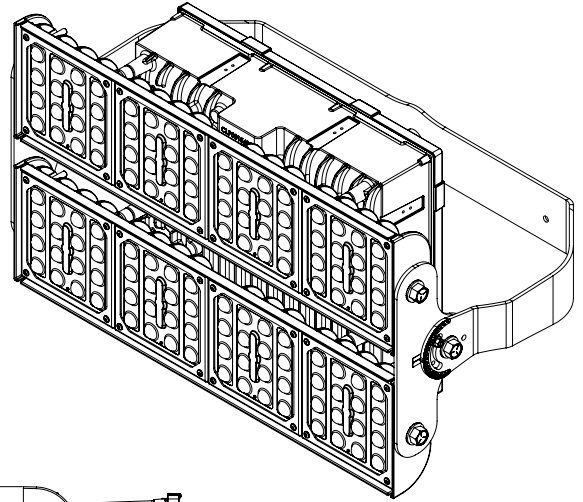
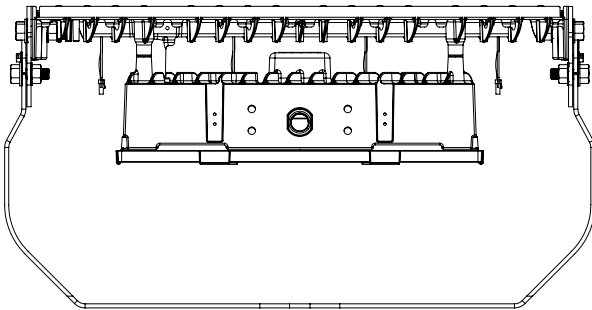
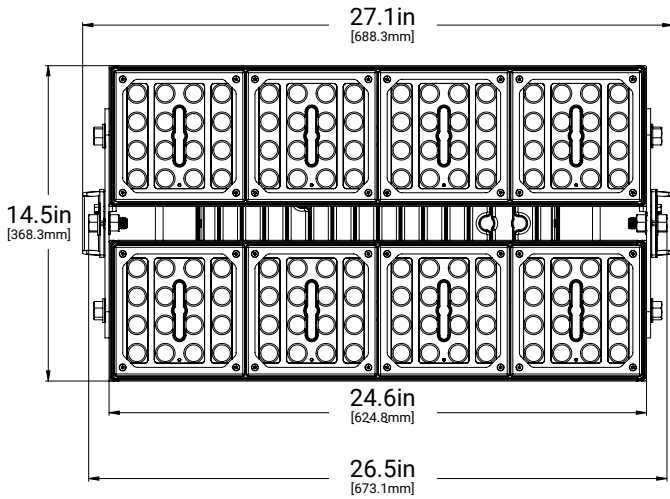
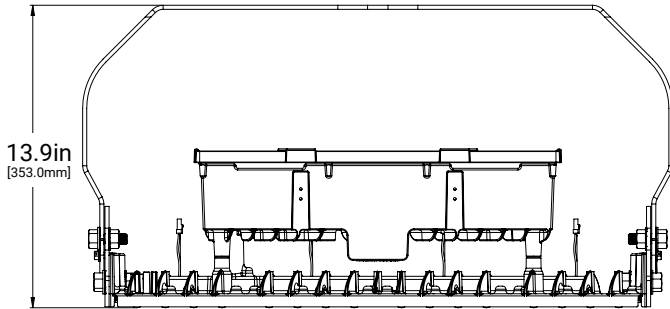


Dimensional & Mounting Details

PRODUCT FAMILY: LUMAVISION

MODEL: 7 & 8

MOUNT TYPE: PNDT (PENDANT MOUNT)



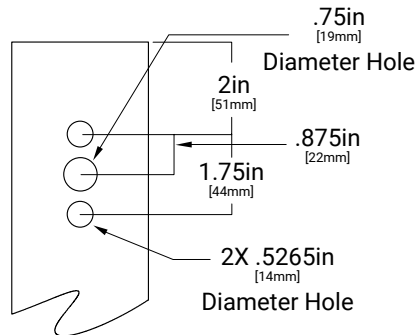
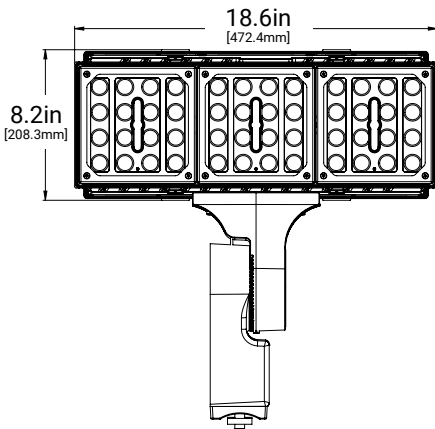
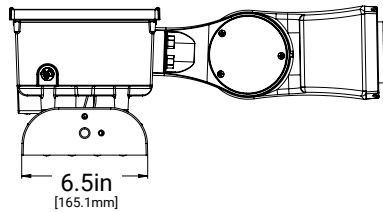
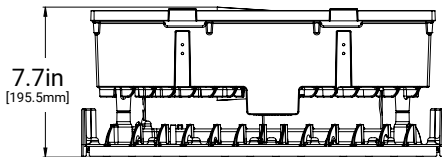
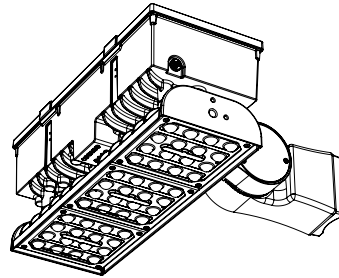
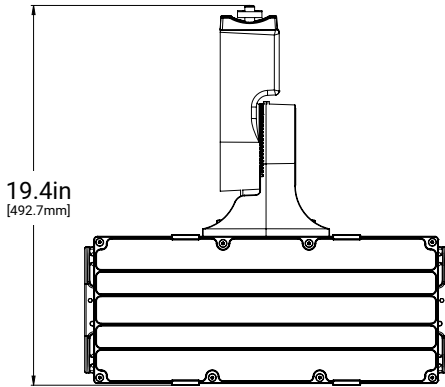
Dimensional & Mounting Details

PRODUCT FAMILY: LUMAVISION

MODEL: 3

MOUNT TYPE:

- AAJL (ADJUSTABLE ARM DIRECT POLE MOUNT)
- AAJC (ADJUSTABLE ARM DIRECT POLE MOUNT [CORD THROUGH HOUSING])



**WARNING:** Customer is responsible for engineering analysis to confirm pole and fixture compatibility for all applications. Refer to [Pole Drill Patterns Document](#) for additional support information.

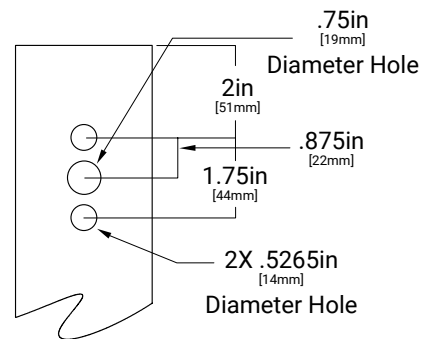
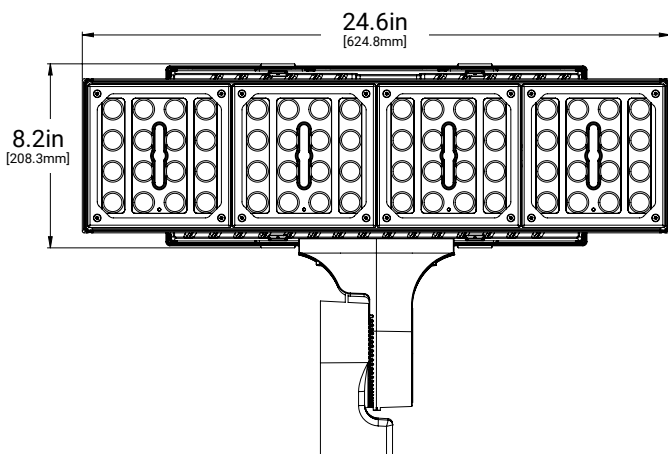
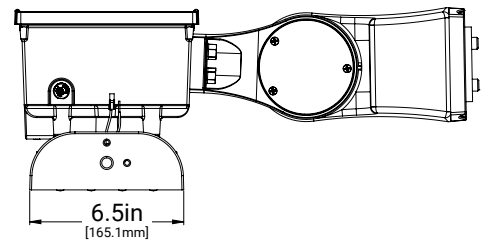
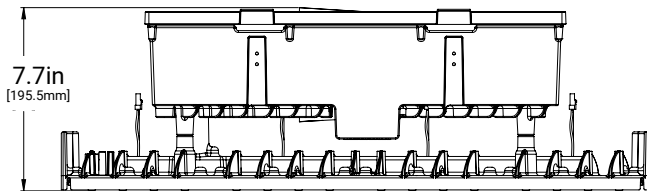
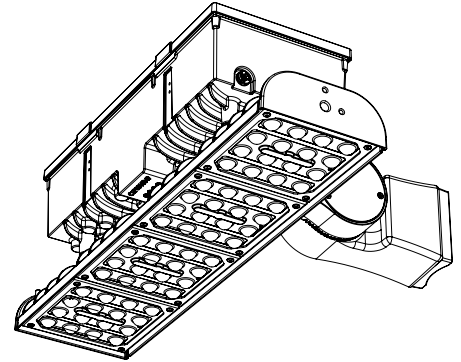
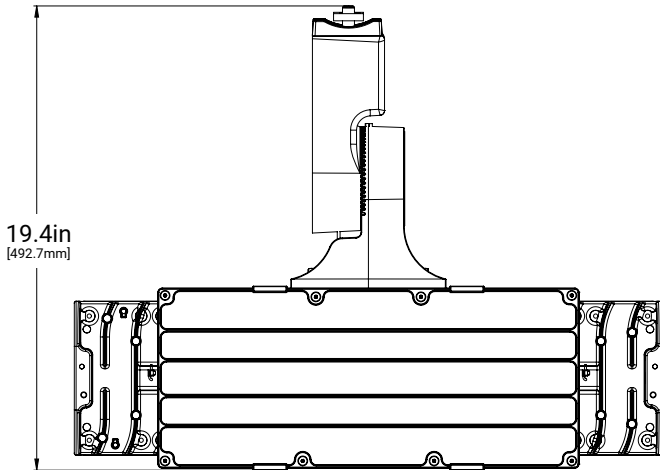
Dimensional & Mounting Details

PRODUCT FAMILY: LUMAVISION

MODEL: 4

MOUNT TYPE:

- AAJL (ADJUSTABLE ARM DIRECT POLE MOUNT)
- AAJC (ADJUSTABLE ARM DIRECT POLE MOUNT [CORD THROUGH HOUSING])



**WARNING:** Customer is responsible for engineering analysis to confirm pole and fixture compatibility for all applications. Refer to [Pole Drill Patterns Document](#) for additional support information.

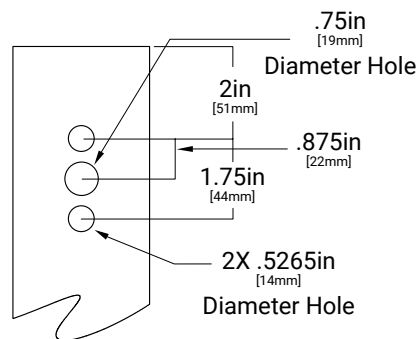
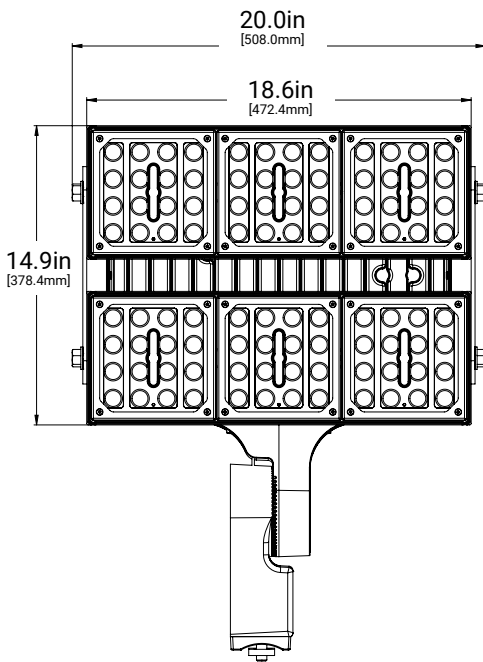
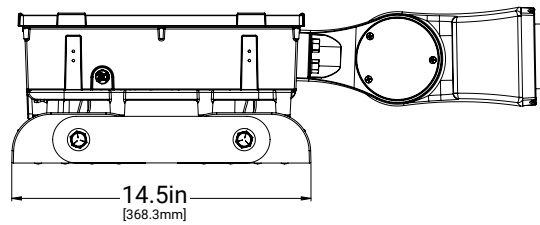
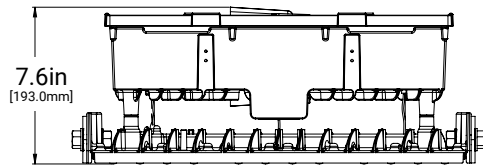
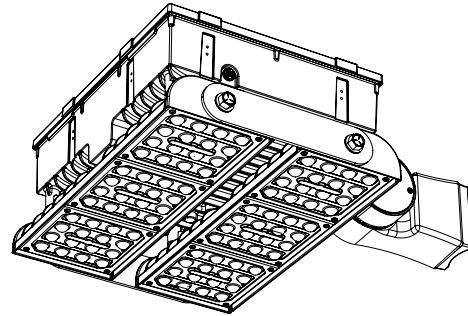
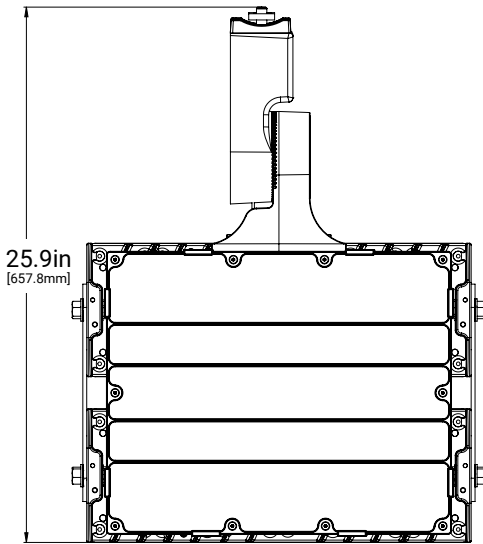
Dimensional & Mounting Details

PRODUCT FAMILY: LUMAVISION

MODEL: 6

MOUNT TYPE:

- AAJL (ADJUSTABLE ARM DIRECT POLE MOUNT)
- AAJC (ADJUSTABLE ARM DIRECT POLE MOUNT [CORD THROUGH HOUSING])



**WARNING:** Customer is responsible for engineering analysis to confirm pole and fixture compatibility for all applications. Refer to [Pole Drill Patterns Document](#) for additional support information.

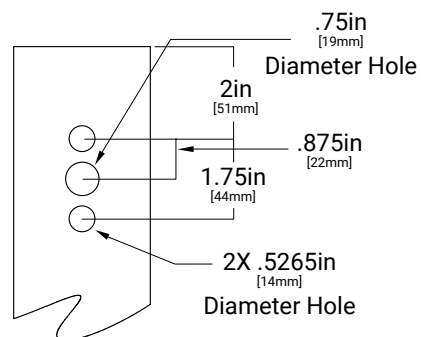
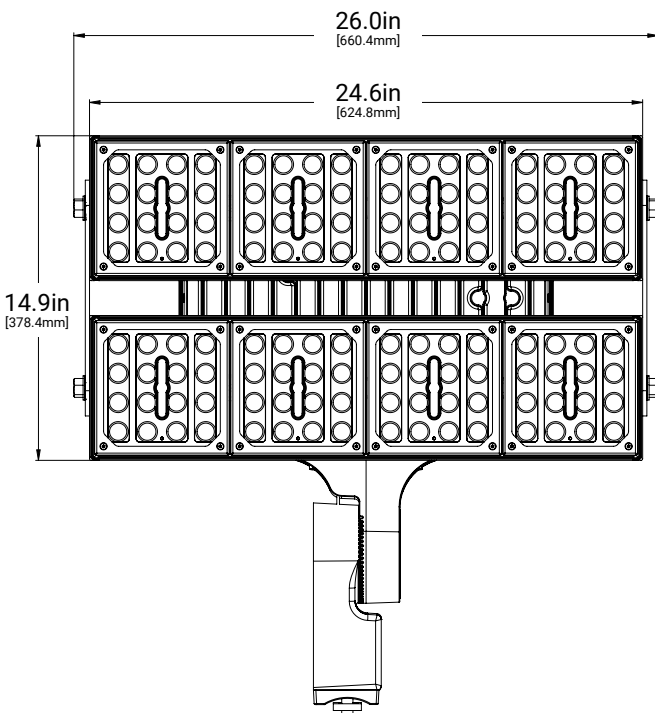
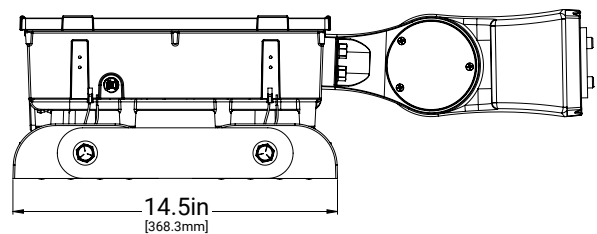
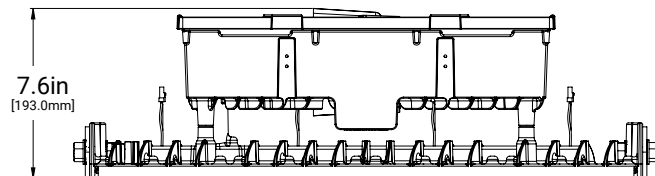
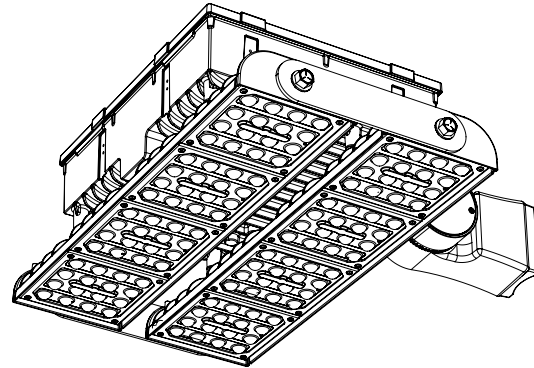
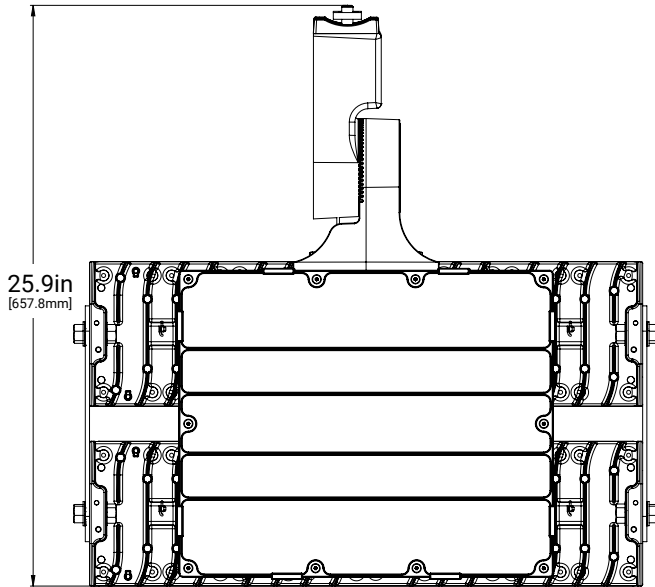
Dimensional & Mounting Details

PRODUCT FAMILY: LUMAVISION

MODEL: 7 & 8

MOUNT TYPE:

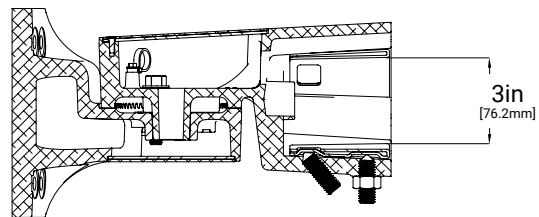
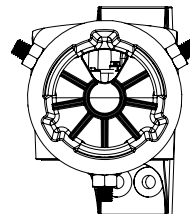
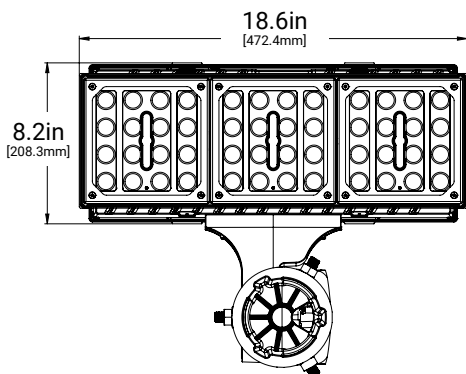
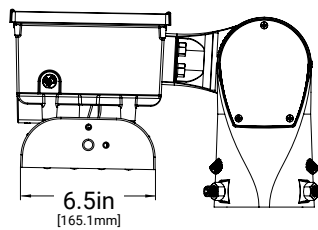
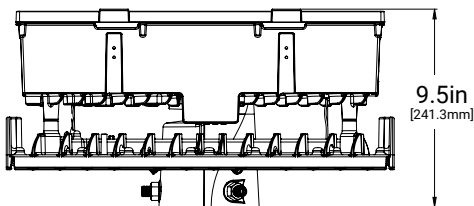
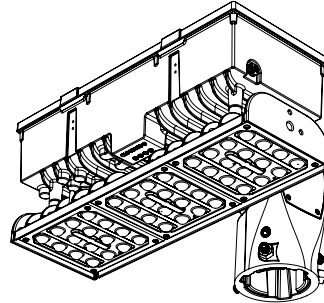
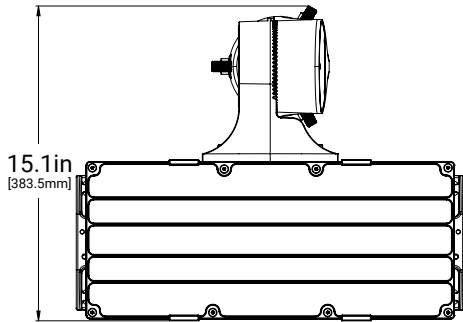
- AAJL (ADJUSTABLE ARM DIRECT POLE MOUNT)
- AAJC (ADJUSTABLE ARM DIRECT POLE MOUNT [CORD THROUGH HOUSING])



**WARNING:** Customer is responsible for engineering analysis to confirm pole and fixture compatibility for all applications. Refer to [Pole Drill Patterns Document](#) for additional support information.

Dimensional & Mounting Details

PRODUCT FAMILY: LUMAVISION  
 MODEL: 3  
 MOUNT TYPE: SLIPFITTER



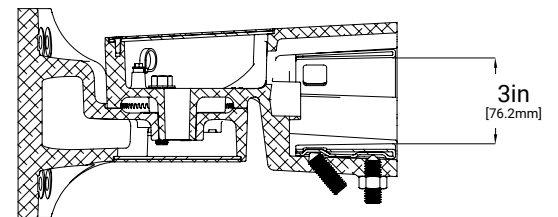
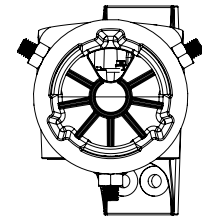
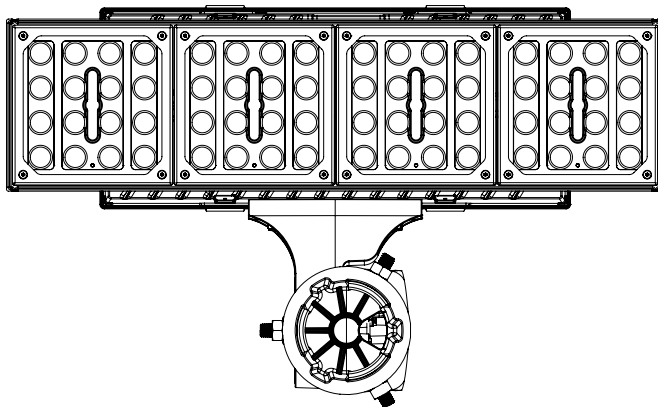
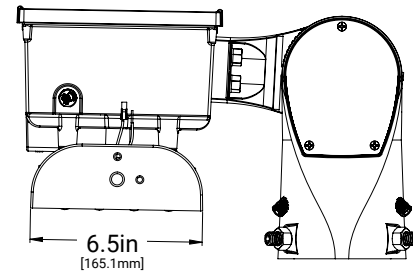
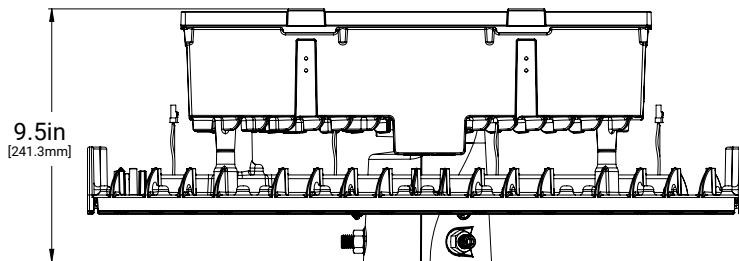
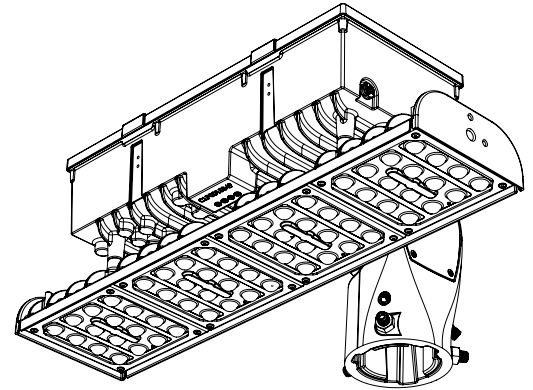
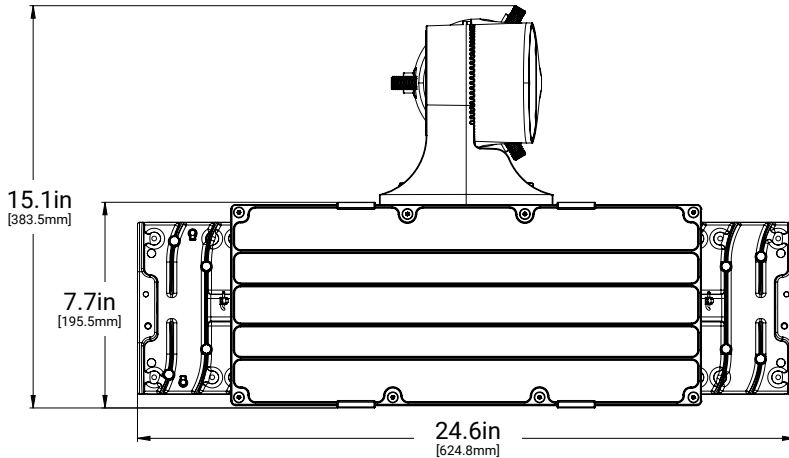
**Note:** The slip fitter is only intended to mount on a vertical orientation with a suitable 3 inch diameter pole or accessory tenon top-per. For 2.375 inch tenon sizes, a separate spacer accessory is needed that isn't included with the standard unit.

Dimensional & Mounting Details

PRODUCT FAMILY: LUMAVISION

MODEL: 4

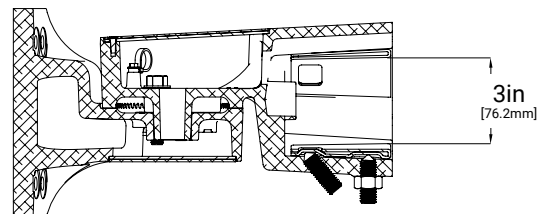
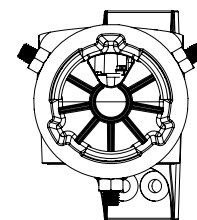
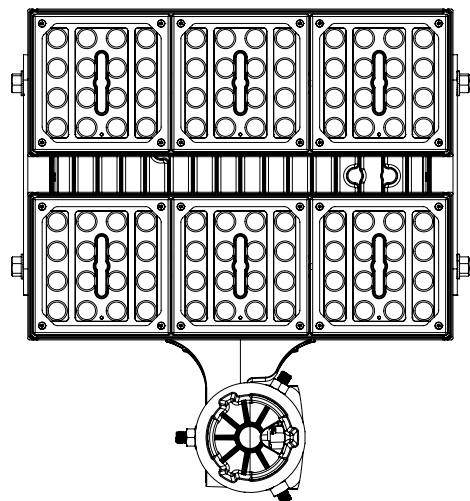
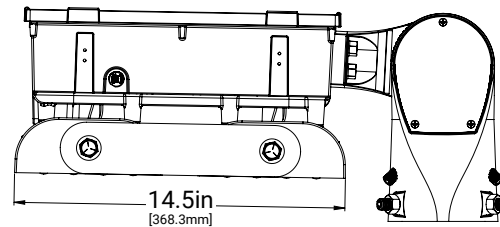
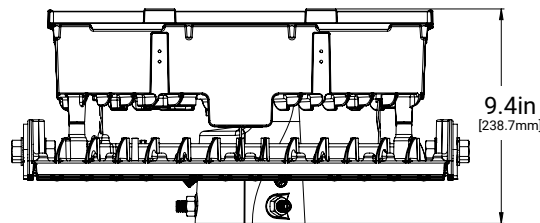
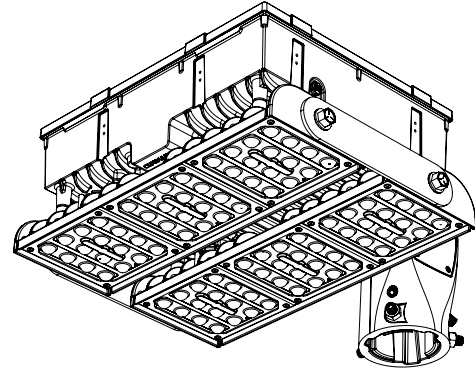
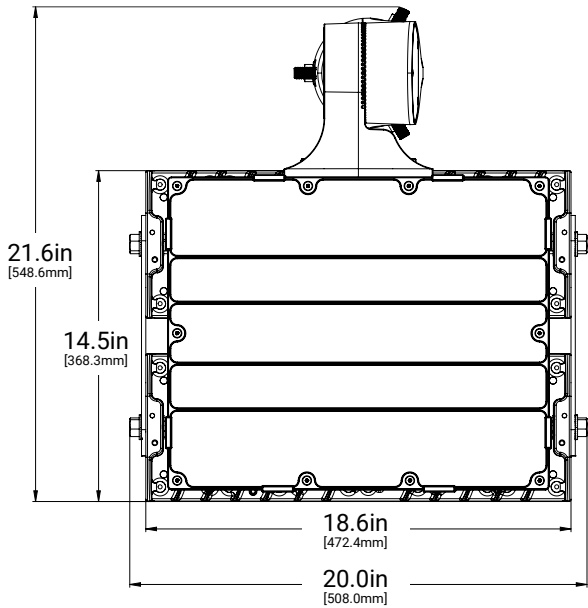
MOUNT TYPE: SLIPFITTER



**Note:** The slip fitter is only intended to mount on a vertical orientation with a suitable 3 inch diameter pole or accessory tenon topper. For 2.375 inch tenon sizes, a separate spacer accessory is needed that isn't included with the standard unit.

Dimensional & Mounting Details

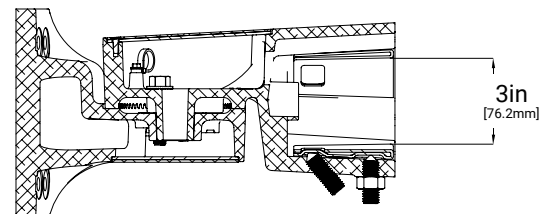
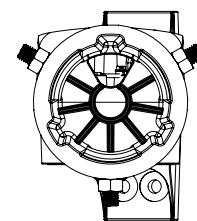
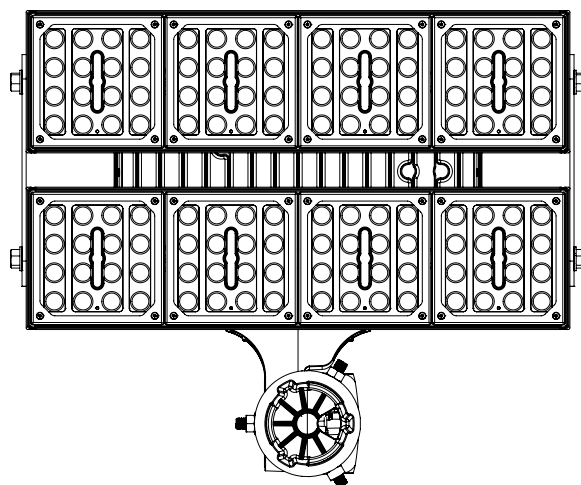
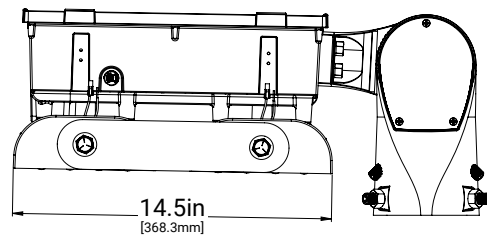
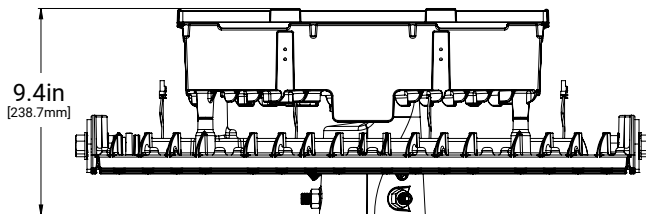
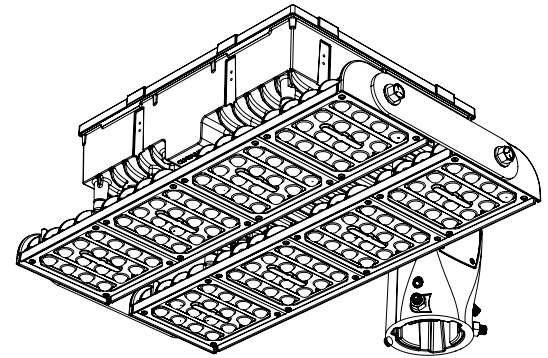
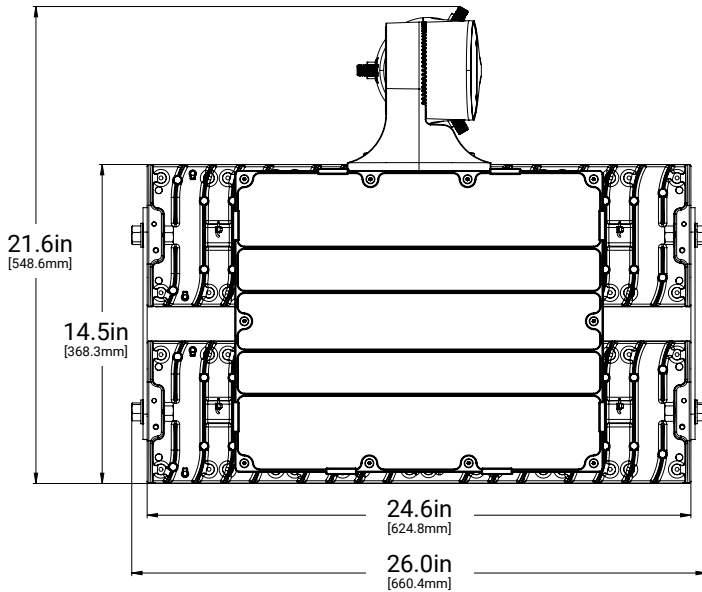
PRODUCT FAMILY: LUMAVISION  
 MODEL: 6  
 MOUNT TYPE: SLIPFITTER



**Note:** The slip fitter is only intended to mount on a vertical orientation with a suitable 3 inch diameter pole or accessory tenon topper. For 2.375 inch tenon sizes, a separate spacer accessory is needed that isn't included with the standard unit.

Dimensional & Mounting Details

PRODUCT FAMILY: LUMAVISION  
 MODEL: 7 & 8  
 MOUNT TYPE: SLIPFITTER



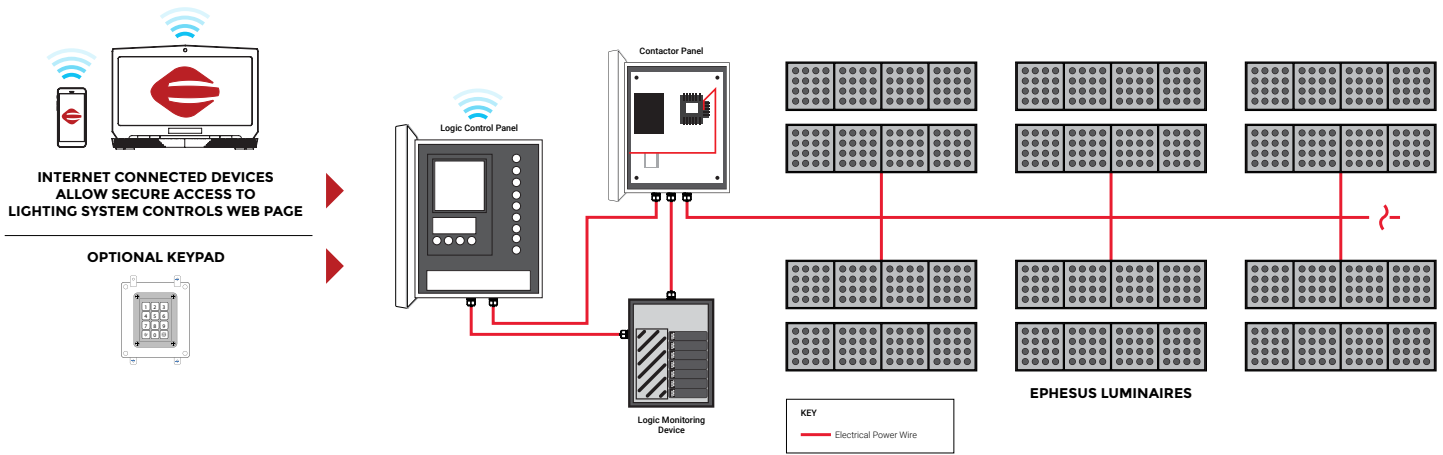
**Note:** The slip fitter is only intended to mount on a vertical orientation with a suitable 3 inch diameter pole or accessory tenon topper. For 2.375 inch tenon sizes, a separate spacer accessory is needed that isn't included with the standard unit.

### Example Topology: Recreation Management Controls

#### Controls Protocol: Contactor Controls

Example system topology showing the LUMAVISION System in a Wired Contactor Controls Installation.

Note: Laptop and mobile device not included. A cellular network connection requires a cellular carrier network plan.

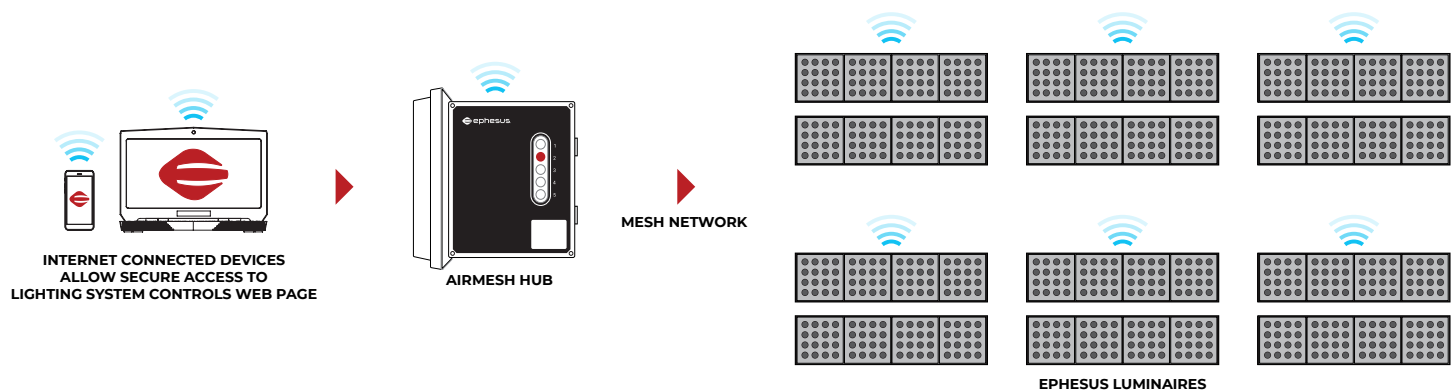


### Example Topology: Wireless Controls

#### Controls Protocol: AirMesh

Example system topology showing the LUMAVISION System in a Wireless AirMesh Control Installation.

Note: Laptop and mobile device not included. A cellular network connection requires a cellular carrier network plan.



### Example System Topology: Wired Controls

#### Controls Protocol: DMX

Example system topology showing the LUMAVISION System in a commonly used wired DMX Control Installation.

Refer to the specifications and limitations of your wired DMX control device before installing this configuration.

