

Catalog #		Date		Prepared by	
Project		Type		Notes	

# HALO™

OUTDOOR SECURITY



## TGS - HIGH OUTPUT SECURITY FLOODLIGHTS

WITH LUMEN SELECT TECHNOLOGY



**Interactive Menu**

- [Order Information](#) page 4
- [Product Specification](#) page 4
- [Product Warranty](#) page 4
- [Product Dimensions](#) page 3
- [Photometric Data](#) page 5

HIGH OUTPUT DIE-CAST SECURITY FLOODLIGHTS | 120V-277V INPUT | 4000K | MOTION, DUSK-TO-DAWN, & SWITCH ACTIVATED | BRONZE & WHITE FINISH | LUMEN SELECT TECHNOLOGY

The TGS Floodlight Family is designed to cover a range of different use cases by including a lumen-selectable switch that can dim the light intensity. Ideal for both residential and commercial applications

### TOP PRODUCT FEATURES



- Durable diecast constructed light head with UV resistant polycarbonate lens
- 3 selectable brightness levels with Lumen Select feature (6100, 4200, 2700 lumens)
- Larger square single head for high output
- Switch activated, Dusk to Dawn, and Motion Activated models available
- Maintenance-free LEDs with 70,000 hours of life.
- Wall or eave mounted to recessed or surface junction boxes (with optional accessory)
- Easy to install with Quick Connect wiring harness

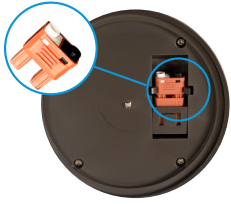
### PRODUCT CERTIFICATION



CATEGORY	AVAILABLE TYPE	AVAILABLE FINISH	LUMENS
TGS5S - SINGLE HEAD <b>MOTION</b>			
TGS5S - SINGLE HEAD <b>DUSK TO DAWN</b>		<b>WHITE</b> <b>BRONZE</b>	<b>UP TO 5800 LUMENS</b>
TGS5S - SINGLE HEAD <b>SWITCH ACTIVATED</b>			

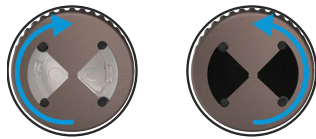
### PRODUCT FEATURE HIGHLIGHTS

#### Quick Connect wiring harness



Halo's quick connect wiring system allows for simple installation without wire nuts.

#### Selectable Photocell

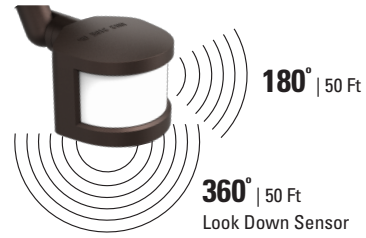


**PHOTOCELL ON**  
Dusk to Dawn Mode

**PHOTOCELL OFF**  
Switch Activated Mode

Dusk to Dawn TGS fixtures can be manually set to a switch activated fixture by simply rotating the photocell cover cap

#### DualTech - Motion Sensor

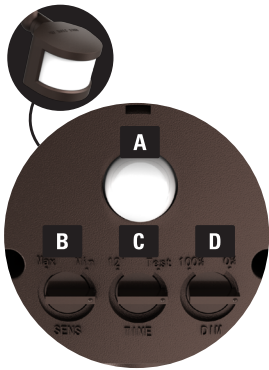


180° | 50 Ft

360° | 50 Ft

Look Down Sensor  
Eliminates Motion Blindspots below motion sensor head

#### Configurable Motion Sensor - Time out, Sensitivity & Standby Dim level



- A** 360 Degree Look down sensor eliminates blind spots under the fixture
- B** Sensitivity (SENS) - Adjust how sensitive the motion is detecting motion
- C** Timeout (TIME) - Set how long fixture stays on when motion is detected
- D** D2D & Motion (DIM) - At 100% the fixture will act as a Dusk to Dawn Fixture  
At 0% the fixture will act as a Motion fixture  
Between 1% - 99% the fixture will turn on at night automatically at the selected brightness level.

#### Standby Dimming - Features allow for even more energy savings



### TYPICAL APPLICATIONS

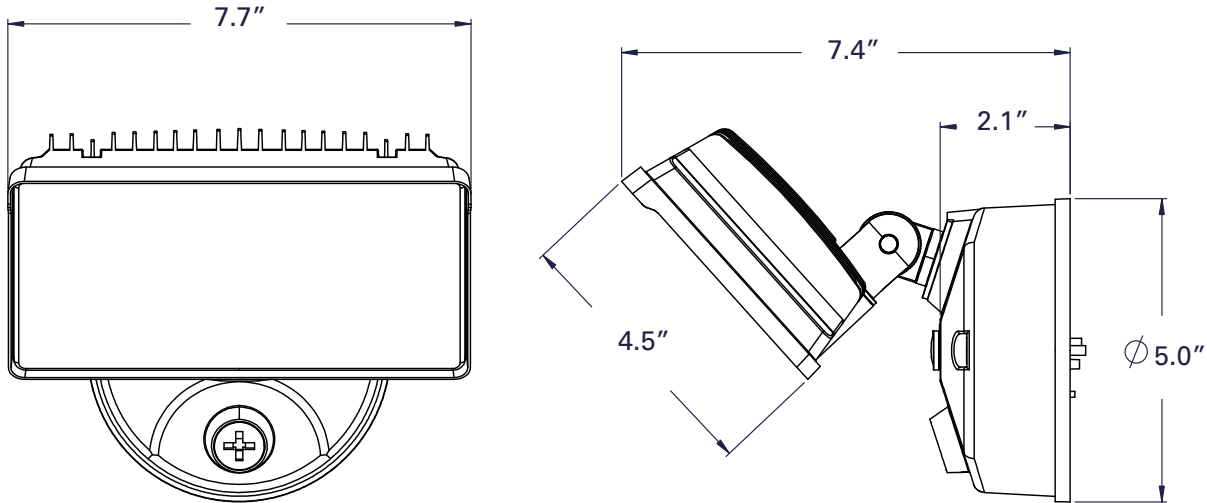


### RESIDENTIAL APPLICATIONS

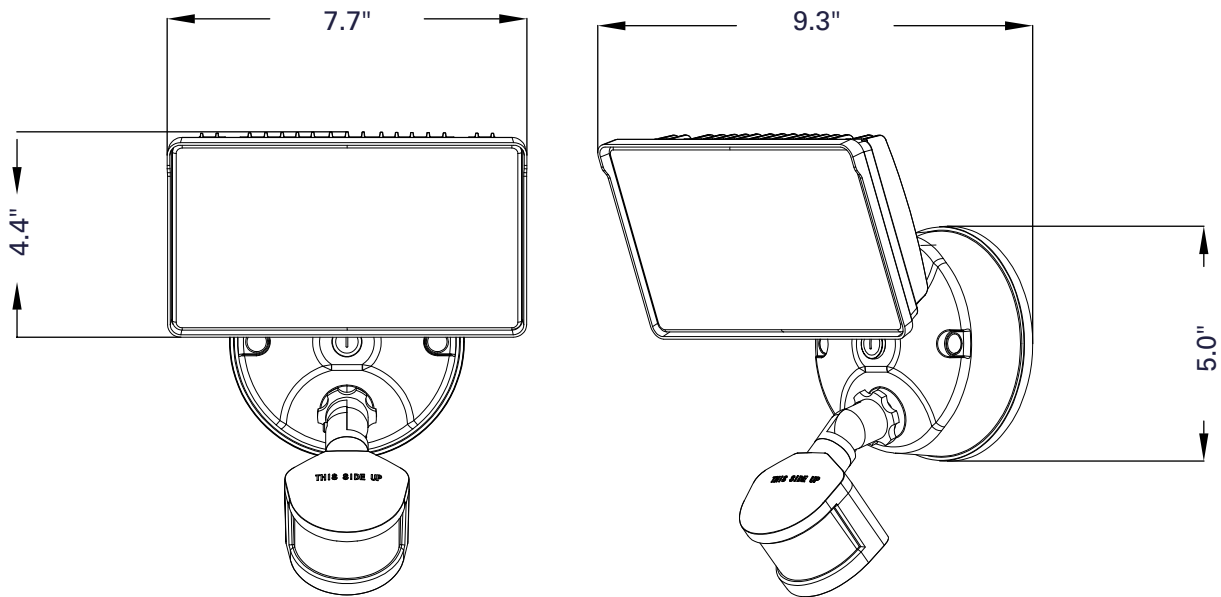
- Backyards
- Garages
- Barns
- General security lighting

### PRODUCT DIMENSIONS

TGS HIGH OUTPUT SQUARE SINGLE HEAD - D2D & Switch Activated



TGS HIGH OUTPUT SQUARE SINGLE HEAD - Motion Activated



### ORDER INFORMATION

Catalog Number	Description	UPC	Material no.	Case Qty
TGS5S401FSCB	SNGL, 5800 LMN SEL,4K,FLOOD, SQ, RESI,BR	080083256051	13596398	4
TGS5S401FSCW	SNGL, 5800 LMN SEL,4K,FLOOD, SQ, RESI,WH	080083256037	13596397	4
TGS5S401DSCB	SNGL, 5800 LMN SEL,4K, D2D, SQ, RESI,BR	080083256013	13596396	4
TGS5S401DSCW	SNGL, 5800 LMN SEL,4K, D2D, SQ, RESI,WH	080083253890	13596395	4
TGS5S401MSCW	SNGL, 5800 LMN SEL,4K, MTN, SQ, RESI,WH	080083260065	13604334	4
TGS5S401MSCB	SNGL, 5800 LMN SEL,4K, MTN, SQ, RESI,BR	080083260041	13604333	4

Don't see a product listed here? Ask about our Made to Order options for even more configurations

### PRODUCT SPECIFICATIONS

#### Construction

- Durable die-cast aluminum heads suitable for wet locations
- Powder coat finish on the die-cast heads.
- Tool-less head and motion sensor adjustment

#### Installation

- Mounts to wall or eave on most standard 4" Round & Octagon recessed junction boxes, using two screws and mounting bracket hardware included in the box
- Quick Connect wiring harness system makes wiring simple without requiring wire nuts
- Optional Accessory Mounting plate kit used when mounting to surface-mounted junction boxes. (Sold separately.)

#### Optics

- Adjustable Brightness Lumen Select feature can toggle between Three outputs, low - medium - high using rotatable dial on the fixture housing
- Super Bright High Output of 5800 lumens great for residential and commercial applications.
- Wide UV resistant PC lens distributes light efficiently and won't yellow over time

#### Electrical

- 120-277V Universal voltage, 60Hz Driver
- Power Factor >.90
- THD <20%
- Built to last with maintenance-free LEDs with 70,000 hours of life
- 4000K Bright white color temperature ideal for security applications
- 80CRI renders colors accurately
- Fixture operating temperature of -30°C to 40°C

#### Controls

##### DUSK TO DAWN SKUS

- 180° detection radius up to 50' range, with adjustable sensitivity and duration from 30 seconds - 12 minutes.
- Integral photocell allows for nighttime ON / daytime OFF operation. Photocell can be turned on or off by using rotatable cap

##### MOTION ACTIVATED SKUS

- Selectable standby dimming level, when motion no longer detected light will dim down to a selected level and can be field configured from 0% to 100%

#### Compliance and Certifications

- UL certified for US and Canada for wet locations
- EMI/RFI emissions per FCC 47CFR Part 15B
- Contains no mercury or lead and RoHS compliant.

- Photometric testing in accordance with IES LM-79-08 Lumen maintenance projections in accordance with IES LM-80-08 and TM-21-11
- ICES-005(B) Intentional Radiator
- Meets CA Prop 65
- Can be used to meet Title 24 Residential and Non-Residential

#### Finish

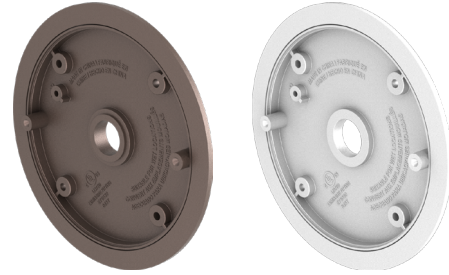
- Textured Bronze/ White Finish

#### Warranty

- Five year limited warranty, consult website for details. [www.cooperlighting.com](http://www.cooperlighting.com)

### ACCESSORIES (SOLD SEPARATELY)

Catalog Number	Description
TG5S-KIT-MTGWH (*)	MOUNTING ADAPTER PLATE KIT TGS5S WHITE
TG5S-KIT-MTGBZ (*)	MOUNTING ADAPTER PLATE KIT TGS5S BRONZE

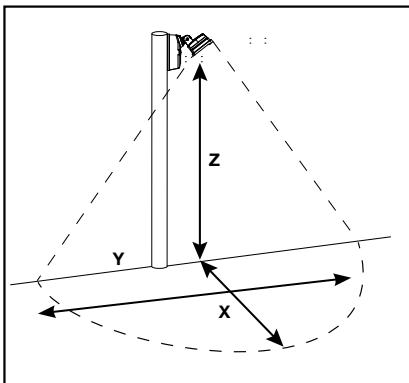


NOTE: Mounting plates are to be used in Surface Mounting applications when the Junction box is surface mounted and NOT recessed.

### PHOTOMETRIC DATA

Operation	Setting	Power	Lumens Low/Med/High	Efficacy (High)	Cct	Voltage	Life Span	Controls			
Flood Switch Activated	Low	20W	2699.9	151.31	4000K	120-277V	70,000 Hrs	Controlled via a standard wall switch			
	Medium	30W	4216.12	143.36							
	high	50W	6136.64	127.29							
Dusk to Dawn	Low	20W	2699.9	151.31				4000K	120-277V	70,000 Hrs	Dusk to Dawn Photocell can be turned on or off
	Medium	30W	4216.12	143.36							
	high	50W	6136.64	127.29							
Motion	Low	20W	2699.9	151.31				4000K	120-277V	70,000 Hrs	PIR Motion 180° Detection Angle 50' Distance 2nd Blindspot look down sensor
	Medium	30W	4216.12	143.36							
	high	50W	6136.64	127.29							

### SUGGESTED MOUNTING HEIGHT



X = Forward Throw  
Y = Wall Spread  
Z = Mounting Heights

Minimum Footcandles (FC)		0.50 FC					
Mounting Height (Z)		8'		10'		15'	
Catalog Number	Lumens	X	Y	X	Y	X	Y
TGS5S401FSCW	2699.9	13.4	31.9	15.8	35	19.1	41.7
TGS5S401FSCW	4216.12	17.1	34.6	19.5	40.5	23.8	48
TGS5S401FSCW	6136.64	17.6	38.8	20.9	43.9	26.2	53.3
TGS5S401DSCW	2699.9	13.4	31.9	15.8	35	19.1	41.7
TGS5S401DSCW	4216.12	17.1	34.6	19.5	40.5	23.8	48
TGS5S401DSCW	6136.64	17.6	38.8	20.9	43.9	26.2	53.3
TGS5S401MSCW	2699.9	13.4	31.9	15.8	35	19.1	41.7
TGS5S401MSCW	4216.12	17.1	34.6	19.5	40.5	23.8	48
TGS5S401MSCW	6136.64	17.6	38.8	20.9	43.9	26.2	53.3

Notes:

Forward throw X = 1/2 Y for wall-mount applications only  
See IES files for detailed photometry