

DESCRIPTION

Gimbal Ring style lampholders designed for PAR38 medium side prong lamps. Available in satin white and matte black finishes. Compatible with Halo and Lazer by Halo track systems.

Catalog #	Type
Project	
Comments	
Prepared by	Date

SPECIFICATION FEATURES

A...Electrical Quick Lock Adapter

Polycarbonate casing. Attaches electrically and mechanically anywhere along the track. Visual polarity line assures proper grounding. Two position conductor allows use in single circuit and either circuit of two

circuit track.

B...Yoke

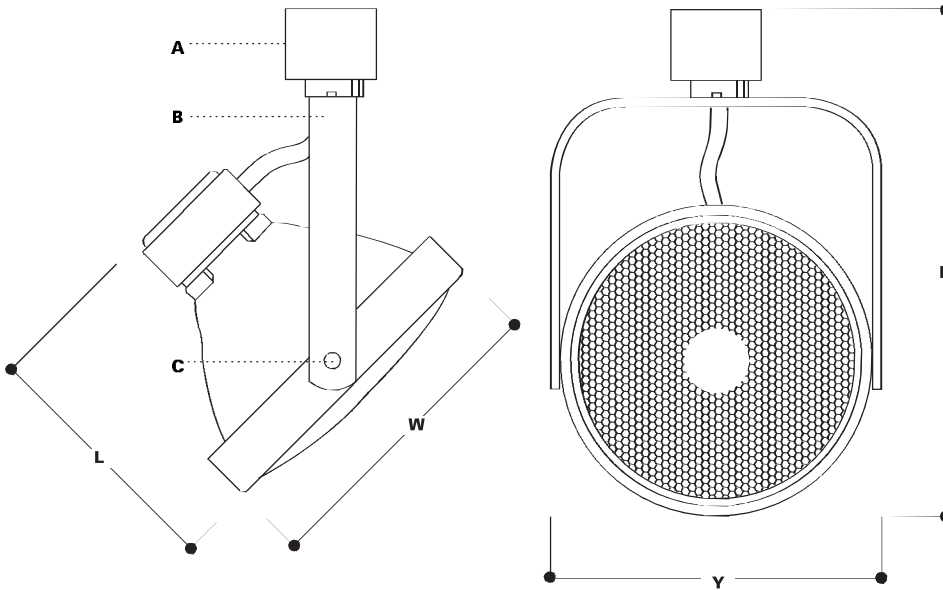
Matching finish yoke allows lampholder to rotate 338° horizontally and adjust vertically from ±90° for maximum aiming adjustability.

C...Gimbal Ring

Die formed gimbal ring contains lamp retention spring.

Listings

UL listed and CSA certified for use with Halo and Lazer-by-Halo track and track systems.



L2738

LINE VOLTAGE
GIMBAL RING
LAMP HOLDERS

Power-Trac

ORDERING INFORMATION

SAMPLE NUMBER: L2738P

Lampholders	Finishes	Accessories
L2738	P=Satin White MB=Black	See below

L2738

For use with: 150W PAR38 Medium Side Prong

L = 4 1/8" [105mm]

W = 5 [210mm]

E = 8 1/4" [210mm]

Y = 5 1/4" [134mm]

Accessories

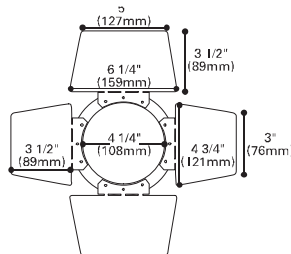
L1961 Barn Doors
L200 Series Color Filters and Lenses
L275 Louver
L236 Accessory Clips

ACCESSORIES

Barn Door Shutters

L1961=Barn Door Shutters.
Requires L278 clips. Allows use of L200 Series filters, lenses and louvers.

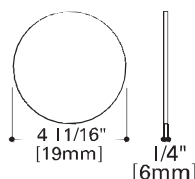
Color Code: MB



L1961 Barn Doors

L200 Series Color Filters

- L21 I=Medium Pink Color Filter
- L212=Warm Red Color Filter
- L214=Ultraviolet Filter
- L220=Daylight Blue Color Filter
- L221=Medium Blue Color Filter
- L23 I=Medium Amber Color Filter
- L241=Medium Green Color Filter

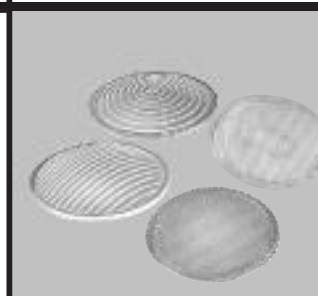
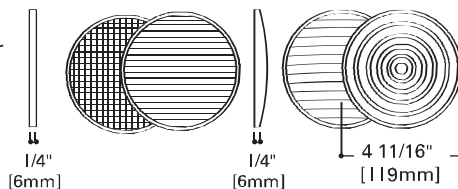


L200 Series Color Filters

L200 Series Optical Lenses

L1961 Barn Door Shutters required to hold lenses.

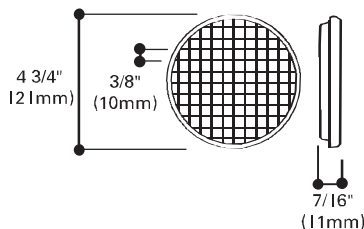
- L210**=Linear Spread Lens
L210 lens fans out light beam 55° - 27 1/2° each side of center
- L215**=Radial Spread Lens
L215 lens spreads light beam 30° in all directions - 15° on all sides of center
- L250**=Linear Spread Lens
L250 lens spreads light beam in one direction
- L265**=Prismatic Spread Lens
L265 Spreads light beam in all directions



L200 Lenses

L275 Cube Cell Louver

4 3/4" OD (121mm) . Black finish 1/2" cells for directing light and eliminating glare.



L275 Cube Louver

L278 Accessory Clips

For use with L2738 to attach L1961 Barn Doors or L200 series uv filter, lenses and color filters and L275 louver.



L278 Clips

Note: Specifications and Dimensions subject to change without notice.

Visit our web site at www.cooperlighting.com