

DESCRIPTION

The ALTO series of lampholders offers the beauty and functional design that sophisticated spaces require. The ALTO family includes lampholders in a range of sizes that accept a number of lamp types and sizes. For use with single and two circuit Halo and Lazer-by-Halo track systems. The light weight and small size of this lampholder family makes them ideal for use in museums, galleries, malls, exhibits and similar areas where high interior light is needed.

Catalog #	Type
Project	
Comments	
Prepared by	Date

SPECIFICATION FEATURES

A...Electrical Quick Lock Adapter

Polycarbonate casing. Attaches electrically and mechanically anywhere along Power-Trac. Visual polarity line assures proper grounding.

Two position conductor allows use in single circuit and either circuit of two circuit track.

B...Yoke

Yoke allows lampholder to rotate 338° horizontally and provides 0° to 90° vertical pivot

for maximum aiming adjustability.

C...Adjustment Knob

Adjustment knob locks lampholder into position.

D...Housing

Spun aluminum with baked enamel finish.

E...Face Plate

Deep Face plate provides high visual cutoff to lamp. Face plate twists off for easy relamping.

F...Accessory Clips

Accessory clips accommodate lenses and louvers.

Internal Switchable Transformer

Transformer can be switched from 6V to 12V to accommodate different voltage lamps.

Labels

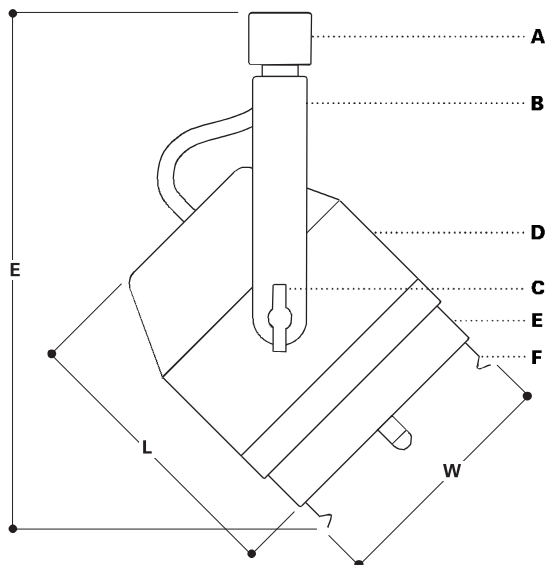
UL listed and CSA certified for use with Halo and Lazer-by-Halo track and track systems.



L3751

ALTO
LOW VOLTAGE
HIGH INTENSITY
DISPLAY
LAMPHOLDERS

Power-Trac®

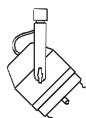


(L3751 Shown in Illustration)

ORDERING INFORMATION

SAMPLE NUMBER: L3751P

Lampholders	Finishes	Accessories
L3751	P=Satin White MB=Matte Black	(See Below)



L3751

For use with: 25W PAR36 12V,
50W PAR36 5.5V

L = 6 5/8" [168mm]

W = 6 1/4" [159mm]

E = 11 1/2" [292mm]

Accessories

L1968 Barn Doors

L200 Series Filters

L214 UV Filter

L275 Cube Cell Louver

ACCESSORIES

L1968 Barn Door Shutters

Black finish Barn Door Shutters attach to outside of L3751. Built in accessory clips allows use of L200 series color filters or L275 Louver.

Color Code: MB

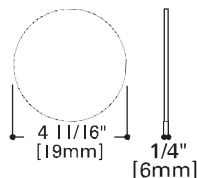


L1968 Barn Doors

L200 Series Color and UV Filters
4 11/16" (119mm)

Provides either a soft or intense hue accent a lighting installation.

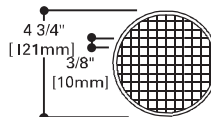
- L211=Medium Pink
- L212=Warm Red
- L214=Ultraviolet Filter
- L220=Daylight Blue
- L221=Medium Blue
- L231=Medium Amber
- L241=Medium Green



L200 Series Filters

L275 Cube Cell Louver

4 3/4" OD (121mm). Black finish 1/2" cells for directing light and eliminating glare.



L275 Cube Louver

Note: Specifications and Dimensions subject to change without notice.