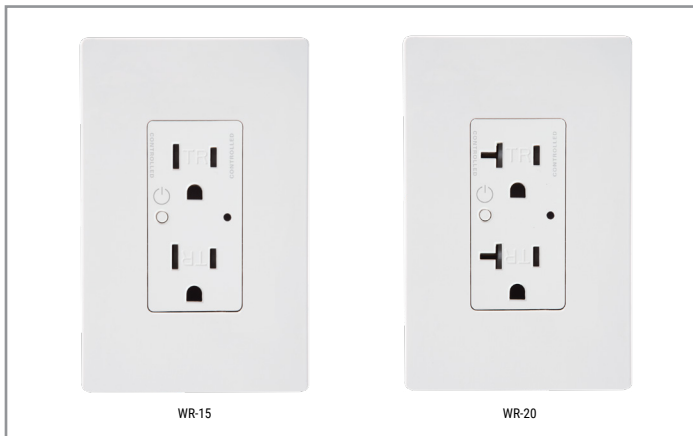


Project		Catalog #		Type	
Prepared by		Notes		Date	



WaveLinx

PRO Receptacle (WR-15/WR-20)

Wireless receptacle enables energy savings by turning OFF the top outlet when the area is unoccupied

Typical Applications

Office • Education • Healthcare • Hospitality • Retail
Industrial • Manufacturing

Interactive Menu

- Order Information page 2
- Additional Resources page 3
- Installation page 3
- Connected Systems page 4
- Product Warranty



- Meets latest ASHRAE Standard 90.1 requirements
- Meets latest IECC requirements
- Meets latest CEC Title 24 requirements

Product Features



Compatibility



Overview

The wireless receptacle is an integral part of the WaveLinx connected lighting system and provides simplified wireless plug load control. Plug load control is required now in many building codes as part of an energy saving control strategy. The wallbox mounted wireless duplex receptacle provides a constantly powered bottom outlet and a wireless controlled (and power metered) top outlet. The NEMA wireless receptacle includes the NEMA symbol for identifying a controlled receptacle as well as tamper resistant outlets for safety. The wireless receptacle operates on a wireless mesh network based on IEEE 802.15.4 standards.

As part of the WaveLinx PRO System, the commercial grade wireless receptacle enables energy savings by turning OFF the top outlet when the area is unoccupied. The wireless receptacle is automatically paired with all WaveLinx PRO occupancy sensors in a space when it is assigned to an area using the WaveLinx Mobile application. The wireless receptacle uses standard AC power wiring and has an internal relay that will Open/Close the controlled outlet. The use of wireless control features of WaveLinx PRO reduces the wiring needed during installation. Use of the wireless control features of the receptacle also includes power measurement capabilities that can provide energy calculations information available through WaveLinx CORE.

Product Features & Benefits

- Manual ON/OFF control push button
- Green/red color LED for status suitable for loads up to 20A
- Simplified plug load control
- Drag and drop programming via WaveLinx Mobile application
- Supports overrides for Demand Response
- Decorator style color match wallplates
- Energy calculations available through WaveLinx CORE

Order Information

The wireless receptacle is an accessory to the WaveLinx connected lighting system and requires a WaveLinx Area Controller (WAC) for full functionality.

The wireless receptacle is used to provide plug load control in spaces and can be mapped to multiple occupancy sensors in an area.

Catalog Number

Catalog #	Description
WR-15	WaveLinx PRO Receptacle 15A
WR-20	WaveLinx PRO Receptacle 20A

Required Accessories

All WaveLinx connected lighting system accessories require at least one WaveLinx Area Controller (WAC2) for communications. Ensure the bill of material includes one of the following components.

Catalog Number

Catalog Number	Description
WAC2-POE	WaveLinx Area Controller G2, PoE powered
WAC2-120	WaveLinx Area Controller G2 with 120VAC to PoE Injector

Optional Accessories

For connection to 120VAC outlets.

Catalog Number

Catalog Number	Description
WPOE2-120	120VAC to PoE Injector

Product Specifications

Mechanical

Size:

- WR-15: 1.7" x 3.8" x 1.4" (43mm x 97mm x 35mm)
- WR-20: 1.7" x 3.8" x 2.0" (43mm x 97mm x 51mm)

Environment:

- Operating temperature:** 32°F to 113°F (0°C to 45°C)
- Storage temperature:** 32°F to 167°F (0°C to 75°C)
- Relative humidity operating:** 5% to 95% non-condensing
- For indoor use only

Mounting: Evenly spaced throughout room, every six feet typical

Color: White

Electrical

Input power: 120VAC

Connections: Hot, Neutral, Ground

Output:

- WR-15: 15A constant hot and controlled load
- WR-20: 20A constant hot and controlled load

Hardware Specifications

Indicators and Pushbuttons:

- Button LEDs:
 - White/Green
- LED functionality:
 - Indication of controlled load
 - Indication of wireless network connection
- Pushbutton:
 - Toggle controlled load relay
 - Press and hold for wireless identification

Wireless Specifications

Radio: 2.4GHz

Standard: IEEE 802.15.4

Transmitter Power: +7dBm

Configuration type: Router, End Point

Range: 150ft (50m) LOS

of Walls: 2 interior walls standard construction

System Performance

Maximum number of Devices: 200 per WaveLinx Area Controller (best practice 150 devices)

Standards/Ratings*

- cULus Certified
- Title 24, Part 6: Building Energy Efficiency Standards
- FCC Part 15
- Meets latest ASHRAE Standard 90.1 requirements
- Meets latest IECC requirements
- Meets latest CEC Title 24 requirements

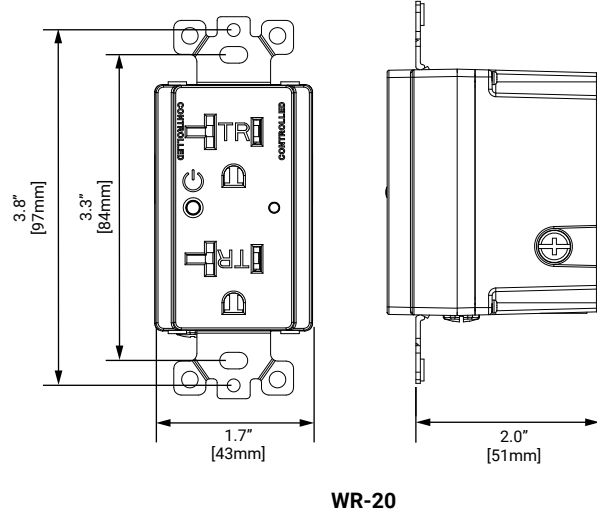
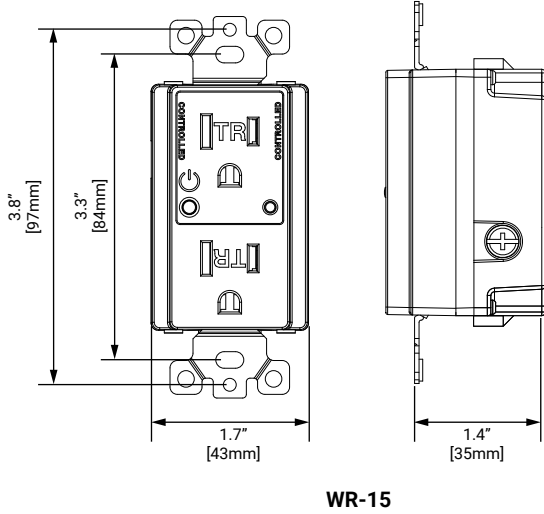
Warranty

Five year warranty standard



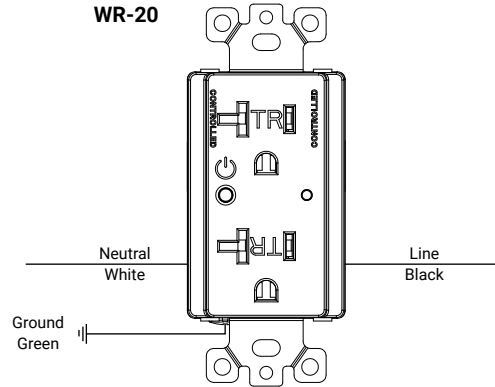
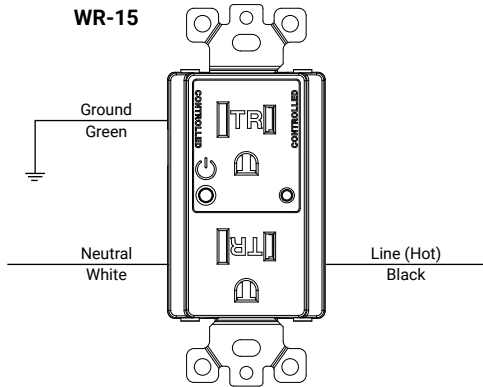
Download the WaveLinx Mobile App from either the Google Play or Apple Store®

Dimensional Details



Installation

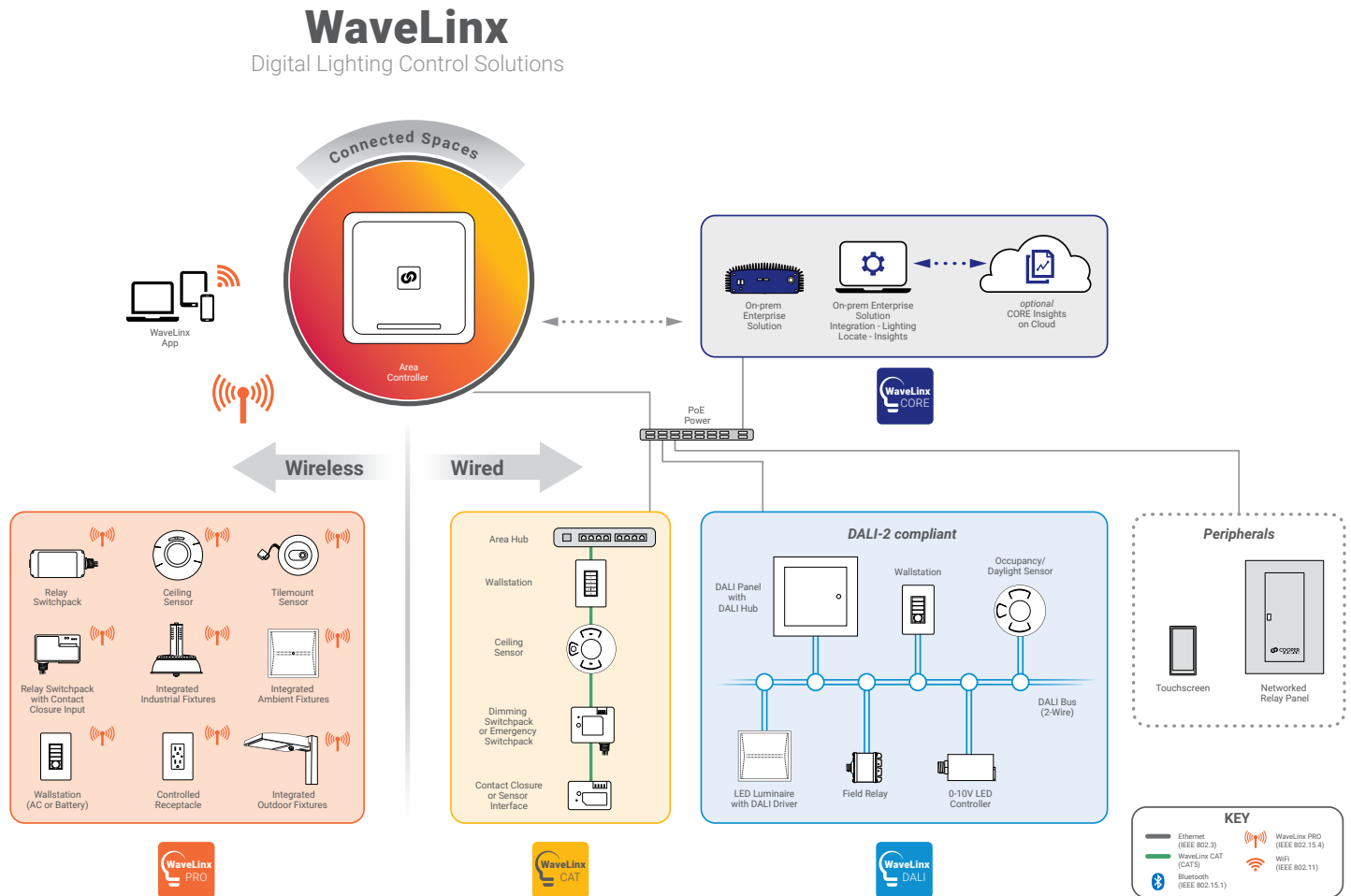
These receptacles may be used in new installations or to replace an existing wall receptacle.



System Diagram:

This diagram shows the main components of the WaveLinx connected lighting system with WaveLinx DALI, CAT and PRO devices. The PRO devices communicate using wireless mesh technology based on the IEEE 802.15.4 standard. A PoE LAN connection for each WaveLinx Area Controller (WAC) is required for power and data access to the building lighting network. The CAT devices communicate over the category 5 based communication bus and control the light fixtures using a relay (on/off) and 0-10V output (dim/raise). WaveLinx DALI devices communicate via a DALI bus (2 wires), which connects various components including DALI fixtures, a DALI DAC (DALI to 0-10V converter), DALI field relays, DALI wallstations, and DALI occupancy sensors. WaveLinx Area Controllers (WAC) communicate with WaveLinx CORE Apps over the Ethernet network.

[View WaveLinx Network and IT Guidance Technical Guide](#)



Control Systems
• WaveLinx