

DESCRIPTION

Recessed lens wall wash luminaire with 4 inch square aperture utilizing a low voltage MR16 lamp. Modular platform can be reconfigured from below the ceiling to accept a broad range of lamp modules and optical elements. Platform is suitable for 2x6 residential or shallow plenum commercial constructions. Insulation must be kept 3" from top and sides of housing. Platform + module + optical element combination provides smooth vertical illumination with a minimal downlight component.

Catalog #		Type
Project		
Comments		Date
Prepared By		

SPECIFICATION FEATURES

Frame

Pre-galvanized steel plaster frame with integral bar hanger receivers. Setscrews provide positive horizontal locking.

Collar

Matte black steel collar adjusts vertically for 1/2" - 1" thick ceilings and can be rotated ± 7.5° thru the aperture. Integral gun sights facilitate the use of guide strings or laser lines. Shipped with a paint overspray protector.

Housing

Steel housing painted matte black for a visually dark interior. Removable hinged top allow for top re-lamp. All fasteners are captive.

Gaskets

Closed cell gaskets achieve restrictive airflow requirements without additional caulking.

Universal Mounting Bracket

Accepts 1/2" EMT, C channel and bar hangers and adjusts 3" vertically from above the ceiling.

Bar Hangers

Captive preinstalled bar hangers adjusts from 8-1/2" to 24" wide; pass thru feature allows shortening without removal. Captive nail penetrates standard and engineered lumber. Mounting flange levels platform with ceiling. Integral clip attached directly to t-bar.

Optical Lamp Module

Field adjustable bracket maintains precise lamp aiming. Ceramic GX5.3 lamp holder mounts to an aluminum heat sink for long lamp life. Easily removed for lamp replacement and connects to the transformer with an inline connector for rapid socket replacement.

Lower Shielding Reflector

Specular aluminum kicker reflector, angle cut parabolic shielding prismatic and neutral color glass linear spread lens provides smooth vertical illumination with a minimal downlight component. Available in die cast metal trim ring, selfflanged or rimless versions.

Optical Element Retention

Mousetrap springs pull flange tight to ceiling. Gasket eliminates spill light at edge of flange.

Junction Box

(7) 1/2" trade size pry outs, (3) integral clamps for non-metallic cable. Rated for (8) #12 thru branch conductors. Wago® type push wire connectors for field connections.

Transformer

Integral dual output toroidal magnetic transformer, 120V 50/60Hz input 12V nominal 75VA maximum output. Separate output for circuits controlled by dimmers compensates for losses, improves color temperature and lumen output.

Thermal Protector

Self resetting thermal protector protects against improper lamping and direct contact with insulation.

Code Compliance

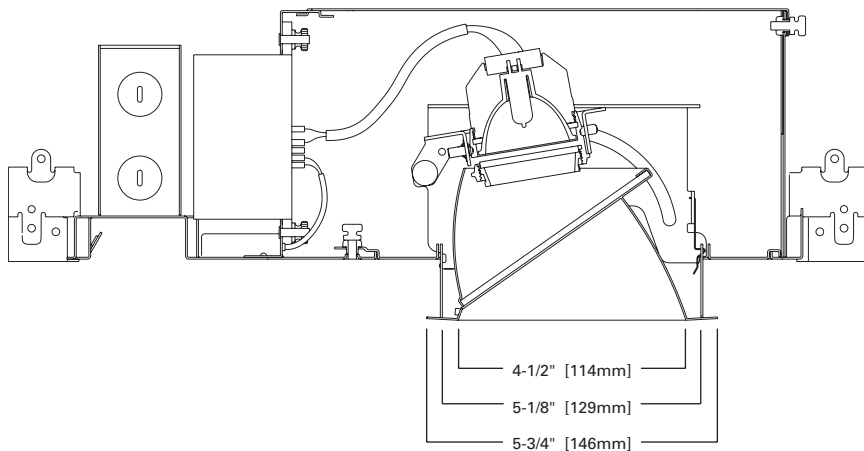
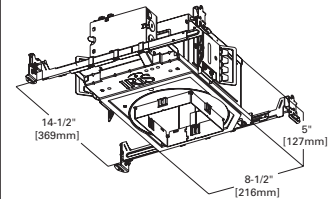
Thermally protected, IP labeled, cULus listed for wet locations and ASTM-E283 airtight. Peel down wattage labels for restricted LPD requirements. Optional City of Chicago environmental air (CCEA) marking for plenum applications.



**P406TAT
MV4MR
E4LWW**

**75W MR16
Tungsten-Halogen**

**4 Inch Square Aperture
Lens Wall Wash**



ENERGY DATA		
Lamp Wattage (Nominal)	Input Power (Watts)	Input Current (Amps)
20	21	0.17
35	37	.031
37	39	0.32
42	44	0.37
50	53	0.44
65	69	0.57
71	76	0.63
75	81	0.67

ORDERING INFORMATION: Complete unit consists of platform, lamp module and optical element.

Example: P406TAT + MV4MR + E4LWWH

Platform	Lamp Module	Optical Element	Texture	Finish	Flange Style	Accessories
	MV4MR	E4LWW				
<p>P406TAT = 4" Square Aperture Non-IC Housing</p> <p>P406TCP = 4" Square Aperture Non-IC Chicago Plenum Housing</p>	<p>MV4MR = Vertical / wall wash MR16 lamp module, 120V input</p>	<p>E4LWW = 4" lens wall wash</p>	<p>[Blank] = Smooth</p>	<p>Alzak® Finishes</p> <p>LJ = Specular Clear, Low Iridescence</p> <p>H = Haze</p> <p>G = Gold</p> <p>WMH = Warm Haze</p> <p>WH = Wheat</p> <p>WHH = Wheat Haze</p> <p>K = Cognac</p> <p>KH = Cognac Haze</p> <p>CC = Chocolate</p> <p>CCH = Chocolate Haze</p> <p>GP = Graphite</p> <p>GPH = Graphite Haze</p> <p>B = Black</p> <p>Painted Finishes</p> <p>MB = Matte Black</p> <p>MW = Matte White</p> <p>W = Gloss White</p>	<p>[Blank] = Metal Trim Ring, Matte White</p> <p>SF = Self Flanged</p> <p>SFWF = Self Flanged, Matte White Painted Flange</p> <p>RL = Rimless, use with rimless adapter</p>	<p>RA4X4 = Rimless adapter for 4" elements</p> <p>PLR4x4 = Plaster lathing ring for rimless</p> <p>RLA4x4 = Rimless adapter for solid ceiling surfaces</p> <p>MTR4MW = Metal trim ring, matte white</p> <p>MTR4MB = Metal trim ring, matte black</p> <p>MTR4SN = Metal trim ring, satin nickel</p> <p>MTR4TBZ = Metal trim ring, tuscan bronze</p>

PHOTOMETRICS

P406TAT MV4MR E4LWW

Photometric Results

Efficiency = 47.9%


Test No. P12925

Platform = P406TAT

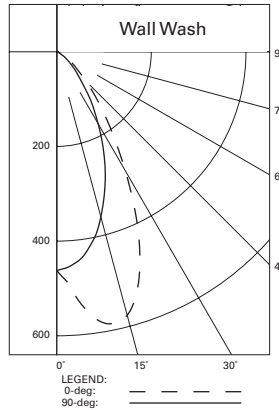
Element = E4LWW

Lumens = 884

Lamp = MR16/50W



Candlepower Distribution



Candelas

Vertical Angle	CD
90	0
85	0
75	2
65	7
55	23
45	56
35	126
25	236
15	361
5	448
0	462

Zonal Lumens Summary

Zone	Lumens	% Lamp	% Luminaire
0- 30	260	29.4	61.4
0- 40	341	38.5	80.4
0- 60	410	46.3	96.7
0- 90	424	47.9	100.0
90- 180	0	0.0	0.0
0- 180	424	47.9	100.0

Single Unit Footcandles

Multiple Unit Footcandles

DD	2' from wall (distance from fixture along wall)				2' from wall (spacing between fixtures)						3' from wall (spacing between fixtures)					
	■	1'	2'	3'	■	2'	■	■	3'	■	■	3'	■	■	4'	■
1	3.3	2.4	0.7	0.2	4.0	4.8	4.0	3.5	2.8	3.5	1.2	1.2	1.2	1.1	0.8	1.1
2	7.7	5.2	2.1	0.6	9.8	10.5	9.8	8.3	6.9	8.3	2.7	3.1	2.7	2.3	2.4	2.3
3	9.5	6.6	2.9	1.0	12.3	13.3	12.3	10.5	9.0	10.5	4.3	4.7	4.3	3.8	3.5	3.8
4	8.2	6.2	3.2	1.3	11.4	12.5	11.4	9.5	9.2	9.5	5.4	5.6	5.4	4.7	4.4	4.7
5	6.1	5.0	2.9	1.4	9.0	9.9	9.0	7.5	7.9	7.5	5.4	5.9	5.4	4.8	4.7	4.8
6	4.2	3.7	2.4	1.4	6.7	7.3	6.7	5.6	6.2	5.6	5.1	5.5	5.1	4.4	4.6	4.4
7	2.9	2.6	1.9	1.2	4.9	5.3	4.9	4.1	4.6	4.1	4.4	4.8	4.4	3.8	4.1	3.8
8	2.1	1.9	1.5	1.0	3.6	3.8	3.6	3.1	3.4	3.1	3.6	4.0	3.6	3.2	3.5	3.2
9	1.5	1.4	1.2	0.8	2.7	2.8	2.7	2.3	2.6	2.3	3.0	3.3	3.0	2.6	2.9	2.6
10	1.1	1.1	0.9	0.7	2.0	2.1	2.0	1.8	2.0	1.8	2.4	2.6	2.4	2.1	2.4	2.1