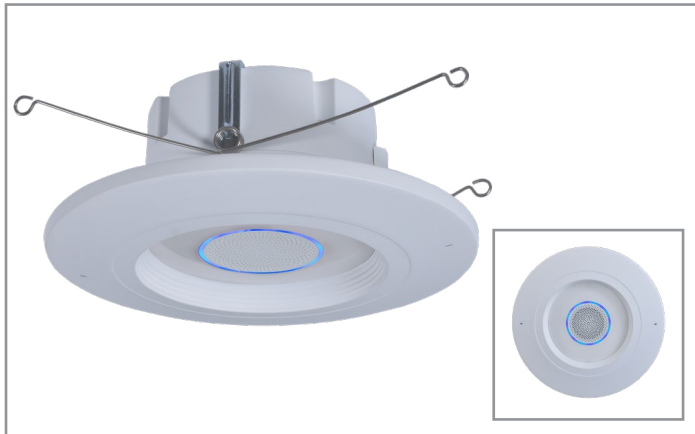


| | | | | | |
|-------------|--|-----------|--|------|--|
| Project | | Catalog # | | Type | |
| Prepared by | | Notes | | Date | |



HALO HOME

RL56-HVA | VOICE

5/6-Inch Alexa Voice Integrated LED Retrofit Module

Typical Applications

Residential

Interactive Menu

- Order Information [page 2](#)
- Product Specifications [page 3](#)
- Energy & Performance Data [page 3](#)
- Product Warranty

Product Certification



-CA models only

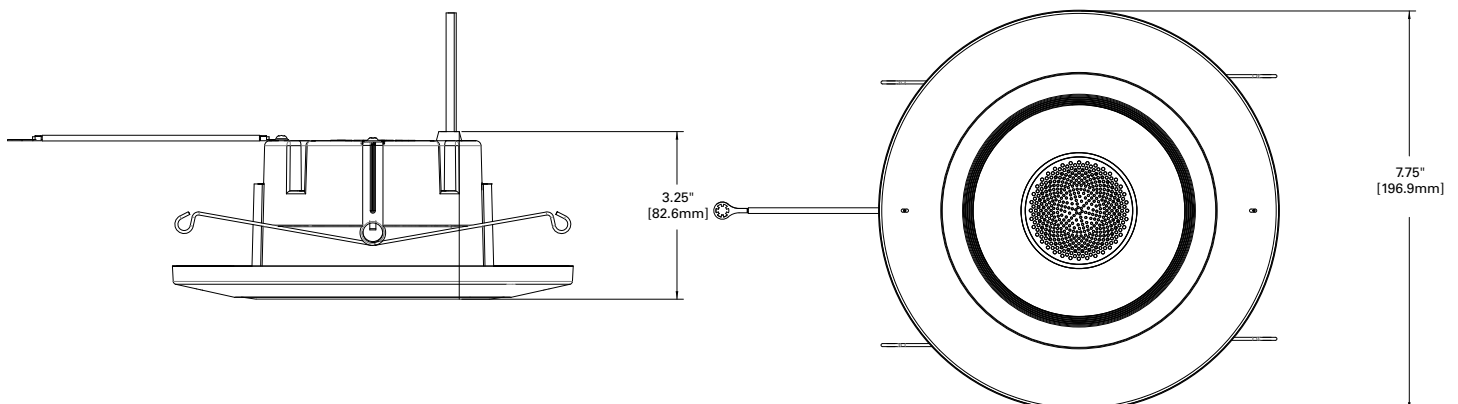
Product Features



Top Product Features

- Amazon Alexa Voice integration
- Adjustable white tuning: 2700K - 5000K, 90 CRI
- Connect to the HALO Home Bluetooth Mesh network, no hub required
- Suitable for new construction, remodel and retrofit
- Certified for use with HALO 5" & 6" housings. Certified for use with other 5" & 6" housings

Dimensions



Kit Order Information

SAMPLE ORDER NUMBER: RL56HVAHWB1

| Module | Kit Type |
|--|---|
| RL56 = HALO Voice RL56 LED module | HVAHWB1 = 5/6" Halo Voice + Bridge HVAHWAC = <i>(Discontinued)</i> |

Order Information

SAMPLE ORDER NUMBER: RL56069B4AWHVA

| Module | CRI/CCT | Protocol | Finish | Type | T24 Compliant |
|--|--|--|-------------------------------|-------------------------------|----------------------------|
| RL5606 = HALO Voice RL56 LED module | 9 = 90 CRI minimum, white tuning, select CCT 2700K – 5000K, in the mobile app | B4A = Bluetooth Mesh wireless control, 4, 0, and Amazon Alexa Voice Services module | W = matte white baffle | HVA = Halo Voice Alexa | -CA = T24 Compliant |

Housing Compatibility

| Compatible Halo Incandescent E26 Screwbase Housings | |
|--|--|
| <p>Halo Standard Housings 5-inch</p> <p>H5ICAT= 5" Insulated Ceiling, Air-Tite New Construction Housing H5RICAT= 5" Insulated Ceiling, Air-Tite Remodel Housing H5ICATNB= 5" Insulated Ceiling, Air-Tite New Construction Housing, No Socket Bracket H5T= 5" Non-IC, New Construction Housing H5RT= 5" Non-IC, Remodel Housing H25ICAT= 5" Shallow, Insulated Ceiling, Air-Tite New Construction H25ICATNB= 5" Shallow, Insulated Ceiling, Air-Tite New Construction, No Socket Bracket E5TAT= 5" Non-IC, New Construction Housing E5RTAT= 5" Non-IC, Remodel Housing H5TNB= 5" Non-IC, New Construction Housing, No Socket Bracket E5TATNB= 5" Non-IC, New Construction Housing, No Socket Bracket E5ICAT= 5" Insulated Ceiling, Air-Tite New Construction Housing E5RICAT= 5" Insulated Ceiling, Air-Tite Remodel Housing E5ICATNB= 5" Insulated Ceiling, Air-Tite New Construction Housing, No Socket Bracket</p> <p>Halo Standard Housings 6-inch</p> <p>H7ICAT= 6" Insulated Ceiling, Air-Tite New Construction Housing H7RICAT= 6" Insulated Ceiling, Air-Tite Remodel Housing H7ICT= 6" Insulated Ceiling, New Construction Housing H7RICT= 6" Insulated Ceiling, Remodel Housing</p> | <p>H7ICATNB= 6" Insulated Ceiling, Air-Tite New Construction Housing, No Socket Bracket H7ICTNB= 6" Insulated Ceiling, New Construction Housing, No Socket Bracket H7T= 6" Non-IC, New Construction Housing H7RT= 6" Non-IC, Remodel Housing H7TNB= 6" Non-IC, New Construction Housing, No Socket Bracket H7TCP= 6" Non-IC, Chicago Plenum, New Construction/Remodel Housing H7UICAT= 6" Insulated Ceiling, Universal, Air-Tite, New Construction Housing H27ICAT= 6" Shallow, Insulated Ceiling, Air-Tite New Construction H27RICAT= 6" Shallow, Insulated Ceiling, Air-Tite Remodel Housing H27T= 6" Shallow, Non-IC, New Construction Housing H27RT= 6" Shallow, Non-IC, Remodel Housing E27ICAT= 6" Shallow, Insulated Ceiling, Air-Tite New Construction E27RICAT= 6" Shallow, Insulated Ceiling, Air-Tite Remodel Housing E27TAT= 6" Shallow, Non-IC, New Construction Housing E27RTAT= 6" Shallow, Non-IC, Remodel Housing E7ICAT= 6" Insulated Ceiling, Air-Tite New Construction Housing E7RICAT= 6" Insulated Ceiling, Air-Tite Remodel Housing E7ICATNB= 6" Insulated Ceiling, Air-Tite New Construction Housing, No Socket Bracket E7TAT= 6" Non-IC, New Construction Housing E7RTAT= 6" Non-IC, Remodel Housing E7TATNB= 6" Non-IC, New Construction Housing, No Socket Bracket</p> |

RL56 Series LED Retrofit is UL Classified for retrofit in the follow 5/6" recessed housings:

The RL56 Voice Series LED light module - trim combination is UL Certified for use with any 5/6" diameter recessed housing constructed of steel or aluminum with an internal volume that exceeds 107.9 in3 in addition to those noted above.

Product Specifications

Wireless System

- For use with the Halo Voice and Halo Home mobile apps.
- Wi-Fi module connects product to wireless network through the Halo Voice app. Sign-In to Amazon Account within the Halo Voice app for Alexa functionality.
- Bluetooth low energy (BLE) mesh allows on/off, white tuning and lumen output to be controlled wirelessly with companion wall switches, smart phones and tablets using Halo Home mobile application.
- Group, schedule, scenes and automate lighting actions through Halo Home mobile app.
- Bridge required to control the light with voice.
- Not compatible with Spotify, intercom, drop-in, or multi-room music features.

HALO Home products work better together. Smartphone will need to be within range to control a HALO Home device. Expand and strengthen the Bluetooth network range by adding more HALO Home devices. Visit halohomesupport.eaton.com to learn more.

Wireless Pairing

- See HALO Home Quick Start Guide for wireless setup, guidance and troubleshooting: halohomesupport.eaton.com/downlight

Module - Trim

- Module construction includes LED Array, heat sink, reflector, lens, baffle and trim ring.
- Regressed baffle
- Heat sink designed to conduct heat away from the LED Array, keeping the junction temperatures below specified maximums, even when installed in insulated ceiling environments.

LED Array

- Mid power LED array provides a uniform source with high efficiency and no pixilation.
- 90 CRI minimum, R9 greater than 50
- Color accuracy within 3 SDCM at the CCT endpoints and 4 SDCM in between endpoints, provide color accuracy and uniformity.
- Color Temperature (CCT) has an adjustable range from 2700K to 5000K within the mobile app (factory default 3000K)
- 50,000 hour life

Optical Assembly

- Regressed lens
- Impact-resistant polycarbonate
- Convex form and lamp-like appearance
- Diffuse for even illumination

Driver

- Integral 120V 50/60 Hz constant current driver provides noise free operation
- Inline electrical quick connect and E26 adapter (provided in non California version) provides mains connections
- Consult instruction sheets and quick start guide for more information

Dimming

- In the Halo Home mobile app, or through Alexa commands for continuous, flicker-free dimming from 100% to 5%.
- It is not recommended with any in wall dimmers.

Retention

- Integral torsion springs for quick and secure installation

Compliance

- UL Certified for US and Canada for use with Halo housings and other's housings
- EMI/RFI emissions per FCC 47CFR Part 15 consumer limits
- Contains no mercury or lead and RoHS compliant
- Photometric testing in accordance with IES LM-79-08
- Lumen maintenance projections in accordance with IES LM-80-08 and TM-21-11
- Can be used for State of California Title 24 high efficacy luminaire compliance. Complies with Title 24 JA8-2016-E.
- FCC ID - 2AKCY-RL56BLEHVA
- IC Code - 4706A-RL56BLEHVA

Warranty

- Five year limited warranty, consult website for details. www.cooperlighting.com

Energy and Performance Data

Standard Efficacy Versions

| Catalog Number | Lumens | Watts | lm/W |
|----------------|--------|-------|------|
| RL56069B4AWHVA | 827 | 12.5 | 66.2 |

Lighting Facts

| PRODUCT SPECIFICATIONS | |
|--|------------|
| Brightness | 827 lumens |
| Energy Used | 12.5 watts |
| Lumens per Watt (Efficacy) | 66.2 |
| Color Accuracy | 92 |
| Light Color (CCT) | 3000K |
| Correlated Color Temperature (CCT) | |
| | |
| 2700K | 5000K |
| Color Temp Range | |
| Performance metrics are measured at the factory setting; 3000K Las métricas de rendimiento se miden en la configuración de fábrica: 3000K | |