

Project		Catalog #		Type	
Prepared by		Notes		Date	



Portfolio

LRSR2B/LSSQS2B Cylinders

LRSR2B/LSSQS2B/LRSRYM2B/LSSQSYM2B
LED 2" Shallow Round and Square Cylinder

Typical Applications

Office • Education • Healthcare • Hospitality • Retail • Residential

Interactive Menu

- Order Information page 2 - page 3
- Product Specifications page 4
- Energy Data page 4
- Photometric Data page 5
- Connected Systems page 7
- Product Warranty

Product Certification



Control Compatibility



Product Features

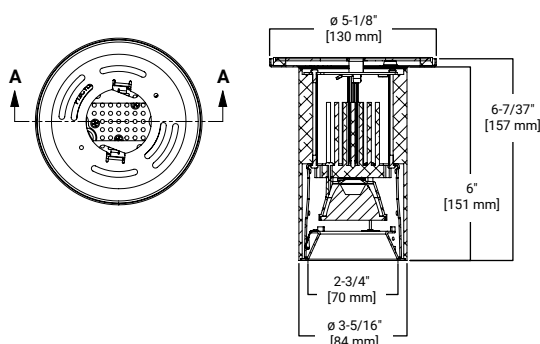


Top Product Features

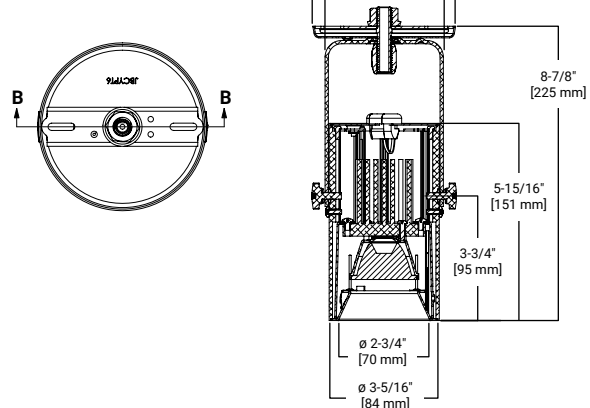
- 500 to 2000 lumens; Offered in 80, 90 and 97 CRI; Downlight
- Shallow round or square surface-mount cylinders; Ceiling, wall, stem, up/down, yoke mount adjustable, LuxWire power over cable
- Extruded aluminum housing; Matte Black, White, Bronze and Silver paint finishes
- 6 color temperatures: 2400K, 2700K, 3000K, 3500K, 4000K and 5000K CCT; D2W™ option from 3000K to 1850K
- W2N Tunable White 2700K-6500K or 2000K-5000K (remote only)
- Options to meet Trade Agreements Act requirements

Dimensional and Mounting Details

2IN ROUND SHALLOW CYLINDER
CEILING MOUNT



2IN ROUND SHALLOW CYLINDER
YOKE MOUNT



additional product diagrams

Order Information

SAMPLE ORDER NUMBER: **LRSR2B10D010P**

Domestic Preferences ⁽²²⁾	Cylinder	Lumens	Distribution	CRI	Color		
[Blank]=Standard TAA=Trade Agreements Act	Ceiling Surface Mount LRSR2B=2-inch round shallow surface ceiling mount ⁽¹⁷⁾ LSSQS2B=2-inch square shallow surface ceiling mount ⁽¹⁷⁾ LSSQSPC2B=2-inch square surface ceiling mount LuxWire aircraft cable with power 120" ⁽¹⁵⁾ LRSR2B=2-inch round surface ceiling mount LuxWire aircraft cable with power 120" ⁽¹⁵⁾ Wall Mount LRSR2B=2-inch round shallow wall mount LRSUD2B=2-inch round shallow wall mount up/down ⁽¹⁾ LSSQSWM2B=2-inch square shallow wall mount LSSQSUD2B=2-inch square shallow wall mount up/down ⁽¹⁾ Yoke Mount LRSYM2B=2-inch round shallow yoke mount ⁽¹⁸⁾ LSSQSYM2B=2-inch square shallow yoke mount ⁽¹⁹⁾	05=500 lumens ⁽²¹⁾ 10=1000 lumens 15=1500 lumens 20=2000 lumens	SP15=15° NFL25=25° FL40=40° WFL55=55°	80=80 CRI minimum 90=90 CRI minimum 97=97 CRI minimum	80 CRI 27=2700K 30=3000K 35=3500K 40=4000K 50=5000K	90 CRI 24=2400K 27=2700K 30=3000K 35=3500K 40=4000K 50=5000K	27=2700K 30=3000K
				Dim to Warm (1000 & 1500 lumens only) 9030D2W=1800-3000K Dim to Warm, 90 CRI Tunable White (1000 lumens only) ⁽¹⁴⁾ (select DE010 or D5LT driver) W2N902765=0% to 100%, 120-277V, 2700K-6500K W2N902050=0% to 100%, 120-277V, 2000K-5000K			

Driver	Finish ⁽⁴⁾
D010R=Remote 120-277V 0-10V 1% dimming 3D010R=Remote 347V 0-10V 1% dimming D010TRR=Remote 0-10V (120-277V) or line voltage (120V) dimming, 5-100% DE010R=Remote 120-277V 0-10V 0% linear dimming D5LTR=Remote Fifth Light DALI DT6 Logarithmic Dimming, 0% to 100%, 120V-277V DMXR=Remote DMX/RDM logarithmic dimming ⁽⁵⁾ DMXCSR=Remote DMX/RDM logarithmic dimming with RJ45 connection DL2R=Remote 1 to 100% dimming, 120V Lutron Hi-Lume forward phase dimming DLER=Remote Lutron Ecosystem dimming 1% to 100%, 120-277V	P=White MB=Matte Black SL=Silver BZ=Bronze

SAMPLE ORDER NUMBER: **2LBSW3LI**

Trim	Reflector	Flange	Finish
2LB=2" trim	D=Spun aluminum DL=Lensed spun aluminum DC=Die cast aluminum ⁽⁹⁾ DLC=Lensed die cast aluminum ⁽⁹⁾	3=Rimless ⁽¹⁰⁾	LI=Specular Clear ⁽¹¹⁾ H=Semi-Specular Clear ⁽¹¹⁾ WMH=Warm Haze ⁽¹¹⁾ WH=Wheat ⁽¹¹⁾ WHH=Wheat Haze ⁽¹¹⁾ GPH=Graphite Haze ⁽¹¹⁾ B=Specular Black ⁽¹¹⁾ MW=Matte White MB=Matte Black ⁽¹²⁾ MMS=Matte Metallic Silver ⁽¹²⁾

REQUIRED if Remote Driver (R) is specified on Cylinder

Domestic Preferences ⁽²²⁾	Remote Drivers ⁽⁵⁾	Lumens	Voltage	Driver	Options	Controls
[Blank]=Standard TAA=Trade Agreements Act	R100=Remote 100 ft R75=Remote 75ft R50=Remote 50 ft R25=Remote 25ft R15=Remote 15ft R5=Remote 5ft R2=Remote 2 ft	05=500 lumens ⁽²¹⁾ 10=1000 lumens 15=1500 lumens 20=2000 lumens	blank=120-277V 3=347V	D010=120-277V 0-10V 1% dimming D010TR=0-10V (120-277V) or line voltage (120V) dimming, 5-100% DE010=0-10V Linear Dimming, 0% to 100%, 120V-277V D5LT=Fifth Light® DALI DT6 Logarithmic Dimming, 0% to 100%, 120V-277V DMX=DMX/RDM Logarithmic Dimming, 0% to 100%, 120V-277V ⁽⁶⁾ DMXCS=DMX/RDM Logarithmic Dimming, 0% to 100%, 120V-277V, with RJ45 connection DL2=1 to 100% dimming, 120V Lutron Hi-Lume forward phase dimming ⁽⁷⁾ DLE=Lutron Ecosystem dimming 1% to 100%, 120-277V ⁽⁷⁾ DLV=Low Voltage System Tunable White 1000 lumens DE010W2N2765=0-10V dimming, 0% to 100%, 120-277V, 2700K-6500K DE010W2N2050=0-10V dimming, 0% to 100%, 120-277V, 2000K-5000K D5LTW2N276=Fifth Light DALI DT6 Logarithmic Dimming, 0% to 100%, 120V-277V, 2700K-6500K D5LTW2N2050=Fifth Light DALI DT6 Logarithmic Dimming, 0% to 100%, 120V-277V, 2000K-5000K	EM7=7W Emergency Module with Remote Test Switch EM14=14W Emergency Module with Remote Test Switch EMBOD=Bodine® Emergency Module with Remote Test Switch EMV7=7W Emergency Module for use with DLV driver with Remote Test Switch EMV14=14W Emergency Module for use with DLV driver with Remote Test Switch	WPST=Factory installed WaveLinX PRO Sensor Kit ⁽⁸⁾ ⁽¹⁹⁾ WLST=Factory installed WaveLinX LITE Sensor Kit ⁽⁸⁾ ⁽²⁰⁾ WPN=WaveLinX PRO Wireless Node without sensor ⁽²³⁾ WLN=WaveLinX LITE Wireless Node without sensor ⁽²⁴⁾

Continued on next page.

Order Information

Domestic Preferences ⁽²²⁾	Accessories ⁽²²⁾	Finish ⁽⁴⁾	Type	Lengths
[Blank] =Standard TAA =Trade Agreements Act	Pendant or Canopy Kit REQUIRED for Surface Ceiling Mount Pendant Kit for round cylinder⁽¹³⁾ P236 =Pendant stem kit for round suspended mount cylinder Pendant Kit for square cylinder⁽¹³⁾ PSQ236 =Pendant stem kit for square suspended mount cylinder	P =White MB =Matte Black SL =Silver BZ =Bronze	RM =For remote drivers	Blank =36" SP *=* Specify 6" to 144" in 1" increments
OR				
	Surface Ceiling Mount Canopy 2SQPSML =Low profile canopy for square surface mount 2-inch junction box 2RCPMSL =Low profile canopy for round surface mount 2-inch junction box 2SQPSTAN =Low profile canopy for square surface mount standard junction box 2RCPSTAN =Low profile canopy for round surface mount standard junction box Connected Lighting Systems⁽⁹⁾ WPST =Field installed WaveLinX PRO Sensor Kit ⁽¹⁹⁾ WLST =Field installed WaveLinX LITE Sensor Kit ⁽²⁰⁾	P =White MB =Matte Black SL =Silver BZ =Bronze		

Notes

- Requires 2 reflectors and light engines.
- DMX fixtures default to full on upon loss of DMX signal
- Consult factory for custom finishes.
- Up down surface mount require 2 driver assemblies.
- DMX fixtures default to full on upon loss of DMX signal
- Only available up to 25'
- Refer to system specifications for additional information, features, and benefits. Order either factory installed option or accessory.
- Available with Matte White, Matte metallic silver and Matte Black Finishes.
- Not available on Pinhole or DC distributions.
- Available only on DC.
- 0-45° slope.
- Canopy mount driver available omit R in driver ordering information, not offered with DMX

- W2N not compatible with LuxWire.
- Requires canopy or pendant kit, see Accessory section for ordering information
- Ceiling mount only
- WPST=WaveLinX PRO wireless sensor kit for daylight dimming, PIR motion sensing, and optional RLTS - Real Time Location Services, use with 0-10V only.
- WLST=WaveLinX LITE tile mount sensor kit for daylight dimming, PIR motion sensing, use with D010 only (Refer to WaveLinX Lite system specifications)
- Limited to D010 drivers
- Only product configurations with this designated prefix are built to be compliant with the Trade Agreements Act of 1979 (TAA). Please refer to [DOMESTIC PREFERENCES](#) website for more information. Components shipped separately may be separately analyzed under domestic preference requirements. Accessories sold separately will be separately analyzed under domestic preference requirements. Consult factory for further information.
Trim must be ordered with cylinder for TAA compliance.
Example: TAALSR2B10D010P-2LB

- WPN=WaveLinX PRO wireless node provides luminaire-level control with scene and zone configuration without an integrated sensor; Connects wirelessly with daylight dimming sensor and PIR motion sensor if desired. Use with 0-10V driver only.
- WLN=WaveLinX LITE wireless node provides luminaire level control with scene and zone configuration without an integrated sensor; Connects wirelessly with daylight dimming sensor and PIR motion sensor if desired. Use with D010 or DE010 drivers only.

Product Specifications

Lower Reflector

- Round or square 2-3/4" aperture
- Painted die-cast aluminum or spun aluminum with a lensed upper optical chamber provides superior lumen output with minimal source brightness
- Square surface mount available with round reflectors
- Available in all Portfolio finishes

Trim retention

- Three pressure springs hold flange tightly to the cylinder lip

Cylinder

- Round and soft square extruded aluminum
- Matte white, bronze, silver or matte black. Consult factory for custom finishes.
- Available in standard and shallow heights
- Yoke mount provides +/-45° lockable tilt

Mounting

- Mounting plate installs to mounted junction box
- Cylinder mounts to plate with easy twist and lock hooks for ceiling mount
- For wall mount, mounting arm attaches directly to junction box via a robust mounting plate
- Offered with optional stem and aircraft cable
- LuxWire™ provides low voltage power to the cylinder via aircraft cable

Thermal

- Aluminum heat sink conducts heat away from the LED module for optical performance and longer life

LED System

- Contains a plurality of high brightness white LED's combined with high reflectance upper reflector and convex transitional lens producing even distribution with no pixilation
- Lumen output shall not decrease by more than 10% over the minimum life of 55,000 hours (L90 > 55,000 hours)
- Color variation within 2-step MacAdam ellipses
- Available in 2400K, 2700K, 3000K, 3500K, 4000K and 5000K correlated color temperature (CCT)
- Available in 80, 90 or 97 color rendering index (CRI)

VividTune™ Color Tuning Solutions

- D2W™ – Dim-to-Warm shifts CCT from 3000K to 1850K as fixture dims, mimicking halogen sources
- W2N – Tunable white CCT range from 2700K to 6500K or 2000K to 5000K; 90 CRI (remote only)

Remote Driver

- Standard 120-277V 0-10V dimming driver provides
- flicker free dimming from 100% to 1%
- Optional 120V leading edge, <1% 0-10V, Fifth Light, DMX or Lutron® Ecosystem
- Distributed low voltage power system combines power, lighting, and controls with ease of installation. (remote only)

Connected Lighting System

Two WaveLinX connected solutions to choose from. Refer to WaveLinX system specifications and application guides for details.

WaveLinX PRO Tilemount Sensor Kit

- WaveLinX PRO WPST tilemount sensor kit offers daylight dimming, PIR motion sensing, scene and zone configuration, automatic commissioning; and optional RLTS - Real Time Location Services available.

WaveLinX PRO Wireless Node

- WaveLinX PRO WPN wireless node provides luminaire-level control with scene and zone configuration without an integrated sensor; Connects wirelessly with daylight dimming sensor and PIR motion sensor if desired. Use with 0-10V driver only. **Note:** Not compatible with 347V or Chicago plenum.

WaveLinX LITE Tilemount Sensor Kit

- WaveLinX LITE WLST tilemount sensor kit offers daylight dimming and PIR motion sensing, scene and grouping configuration.

WaveLinX LITE Wireless Node

- WaveLinX LITE WLN wireless node provides luminaire level control with scene and zone configuration without an integrated sensor; Connects wirelessly with daylight dimming sensor and PIR motion sensor if desired. Use with 0-10V driver only. **Note:** Not compatible with 347V or Chicago plenum.

WaveLinX Tilemount Sensor Kits Application

- The WPST and WLST tilemount sensor kits include a control module mounted on the luminaire junction box via 1/2" knock-out, and a tilemount sensor on 54-inch whip; for ceiling installation by direct-mount spring clips or via mounting bracket in octagon ceiling boxes.
- The WPST and WLST tilemount sensor kits may be ordered as factory installed on the luminaire, or ordered separately as a field installed accessory kit.
- **Note: WaveLinX PRO devices are only compatible with the WaveLinX PRO system.**
- **Note: WaveLinX LITE devices are only compatible with the WaveLinX LITE system.**

Compliance

- Pendant mount cULus Listed for damp locations
- Ceiling mount cULus Listed for protected wet locations with lensed trims with covered ceiling
- Wall mount downlight cULus Listed for wet locations
- EMI/RFI emissions per FCC 47CFR Part 18 Class B consumer limits
- RoHS compliant
- Photometric testing completed in accordance with IES LM-79
- LED life testing completed in accordance with IES LM-80 standards

Warranty

- Five year warranty www.cooperlighting.com/legal

Energy Data

ENERGY DATA
Sound Rating: Class A standards (Values at non-dimming line voltage)
Minimum Starting Temperature: -30°C (-22°F)
EMI/RFI: FCC Title 47 CFR, Part 15, Class B (Consumer)
Input Voltage: UNV (120V - 277V)
Power Factor: >0.90 (at nominal input 120-277 VAC & 100% of Rated Output Power)
Input Frequency: 50/60Hz

Lumens	120V		277V	
	Inrush (A)	Duration (ms)	Inrush (A)	Duration (ms)
500 Lumen D010	0.64	0.05	1.4	0.04
1000 Lumen D010	1.02	0.041	2.18	0.021
1500 Lumen D010	1.02	1.02	2.24	0.064
2000 Lumen D010	1.02	0.077	2.43	0.027

500 Lumen D010		1000 Lumen D010	
Input Power: 7.38W	THD <14.4%	Input Power: 11W	THD <13.8%
Input Current: 0.06A	277V Input Current: 0.03A	Input Current: 0.086A	277V Input Current: 0.042A

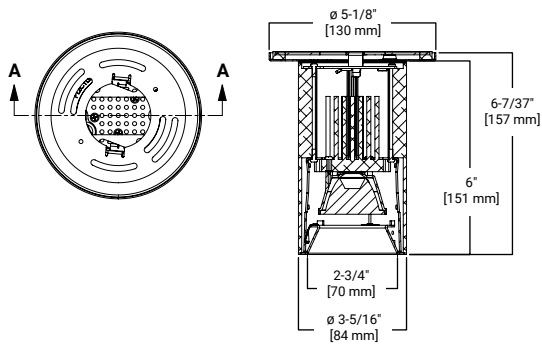
1500 Lumen D010		2000 Lumen D010	
Input Power: 15.05 W	THD <13.0%	Input Power: 21.2 W	THD <8.6%
Input Current: 0.13A	277V Input Current: 0.06A	Input Current: 0.18A	277V Input Current: 0.081A

Photometric Data

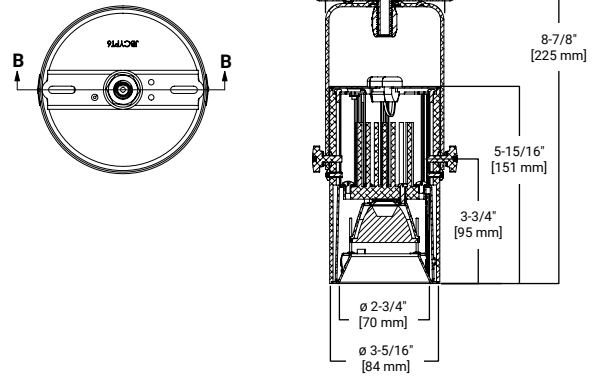
SPOT (15° BEAM)		CANDLEPOWER DISTRIBUTION		CONE OF LIGHT		CANDELA TABLE		ZONAL LUMEN SUMMARY			LUMINANCE	
Test Number	P264029	Downlight				Degrees Vertical	Candela	Zone	Lumens	% Fixture	Average Candela Degrees	Average 0° Luminance
Housing	LSR2B10SP158035			D	FC	L	W	0-30	945	97	45	4884
Trim	2LBD*LI			4'	582.2	1	1	0-40	965	99.1	55	1720
Lumens	974			7'	190.1	1.8	1.8	0-60	973	99.9	65	1167
Efficacy	94.6 Lm/W			9'	115	2.4	2.4	0-90	974	100	75	0
SC	0.28			13'	55.1	3.6	3.6	90-180	0	0	85	0
				16'	36.4	4.4	4.4	0-180	974	100		
Test Number	P218711	Downlight				Degrees Vertical	Candela	Zone	Lumens	% Fixture	Average Candela Degrees	Average 0° Luminance
Housing	LSR2B10NFL258035			D	FC	L	W	0-30	987	96.2	45	3836
Trim	2LBD*LI			4'	382	1.4	1.4	0-40	1019	99.3	55	676
Lumens	1026			7'	125	2.6	2.6	0-60	1026	100	65	0
Efficacy	99.6 Lm/W			9'	75	3.4	3.4	0-90	1026	100	75	0
SC	0.39			13'	36	5	5	90-180	0	0	85	0
				16'	24	6	6	0-180	1026	100		
Test Number	P218754	Downlight				Degrees Vertical	Candela	Zone	Lumens	% Fixture	Average Candela Degrees	Average 0° Luminance
Housing	LSR2B10FL408035			D	FC	L	W	0-30	938	90.2	45	10412
Trim	2LBD*LI			4'	161	2.2	2.2	0-40	1020	98.0	55	2702
Lumens	1041			7'	53	4	4	0-60	1040	99.9	65	0
Efficacy	101 Lm/W			9'	32	5.2	5.2	0-90	1041	100	75	0
SC	0.59			13'	15	7.6	7.6	90-180	0	0	85	0
				16'	10	9.4	9.4	0-180	1041	100		
Test Number	P218801	Downlight				Degrees Vertical	Candela	Zone	Lumens	% Fixture	Average Candela Degrees	Average 0° Luminance
Housing	LSR2B10WFL558035			D	FC	L	W	0-30	674	68.5	45	57541
Trim	2LBD*LI			4'	82	2.8	2.8	0-40	873	88.7	55	18916
Lumens	985			7'	27	5	5	0-60	984	99.9	65	0
Efficacy	95.6 Lm/W			9'	16	6.6	6.6	0-90	985	100	75	0
SC	0.73			13'	8	9.4	9.4	90-180	0	0	85	0
				16'	5	11.6	11.6	0-180	985	100		

Dimensional and Mounting Details

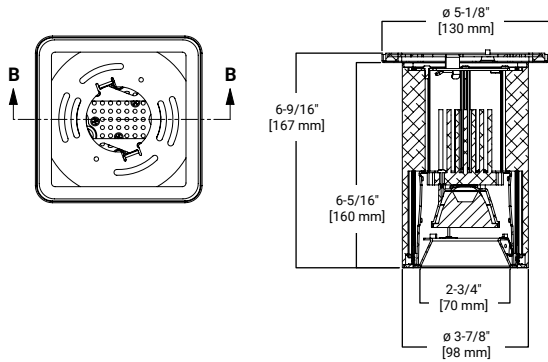
**2IN ROUND SHALLOW CYLINDER
CEILING MOUNT**



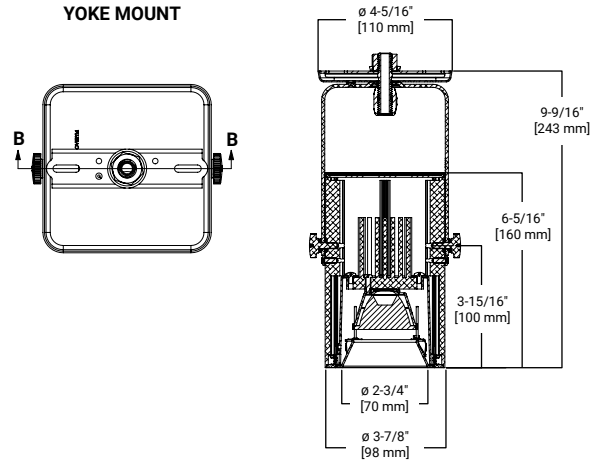
**2IN ROUND SHALLOW CYLINDER
YOKE MOUNT**



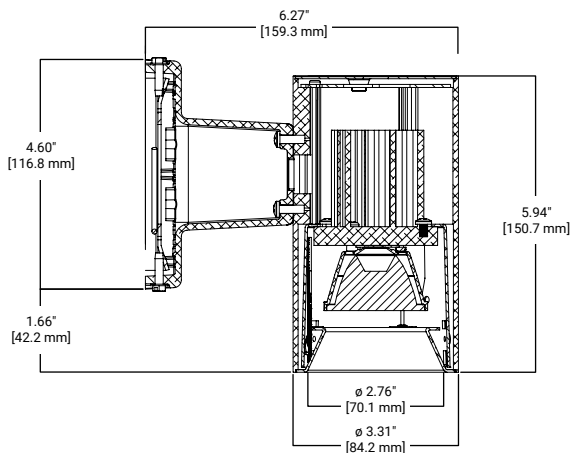
**2IN SQUARE SHALLOW CYLINDER
CEILING MOUNT**



**2IN SQUARE SHALLOW CYLINDER
YOKE MOUNT**



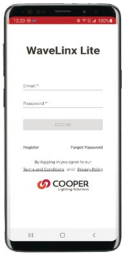
**2IN SQUARE SHALLOW CYLINDER
WALL MOUNT**



Connected Solutions

WaveLinX LITE - WLST Tilemount Sensor

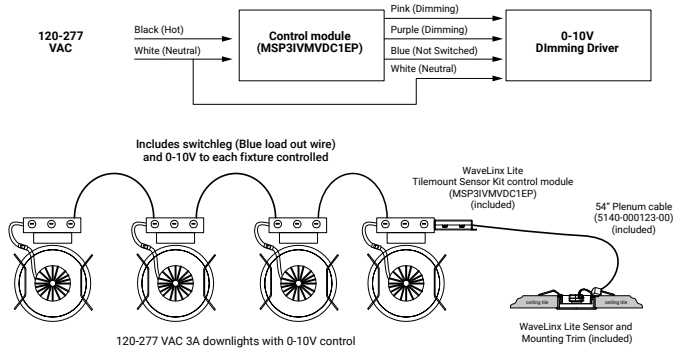
WaveLinX LITE devices only compatible with the WaveLinX LITE system.



- Intuitive Android™ or Apple® iOS® app for basic system code compliant set up and configuration via Bluetooth
- Up to 28 unique areas per project site (WaveLinX LITE Bluetooth network)
- Up to 50 devices for an area, any one of 16 control zones, up to 6 occupancy sets, and custom lighting scenes
- Automatic occupancy or vacancy, sensor sensitivity, daylight dimming, etc. configurable through the app
- Refer to the WaveLinX system specifications for details



WaveLinX LITE WLST Tilemount Wiring Diagram



WaveLinX LITE Bluetooth Enabled System



WaveLinX PRO Wireless – WPST Tilemount Sensor

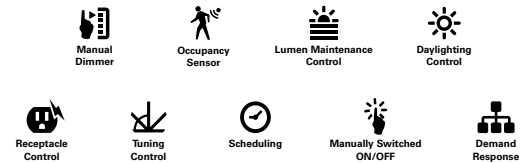
WaveLinX PRO devices only compatible with the WaveLinX PRO system.



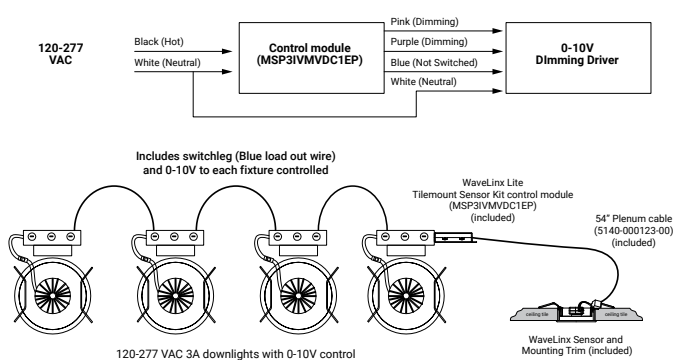
- WaveLinX PRO Wireless functionality configures zones and customizes settings from one secure mobile app
- Automatic code commissioning that meets the strictest codes
- Fixtures and sensors integrate with Wireless Area Controller, Wall Stations, and Control Devices
- Stand-Alone Offices or Entire Building Network Installations



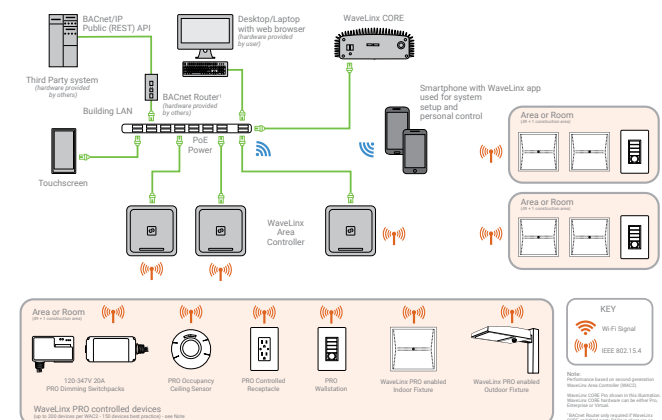
WaveLinX mobile app settings



WaveLinX PRO WPST Tilemount Wiring Diagram



WaveLinX CORE Building Management Integration



Connected Solutions



WaveLinx LITE Wireless Node - WLN

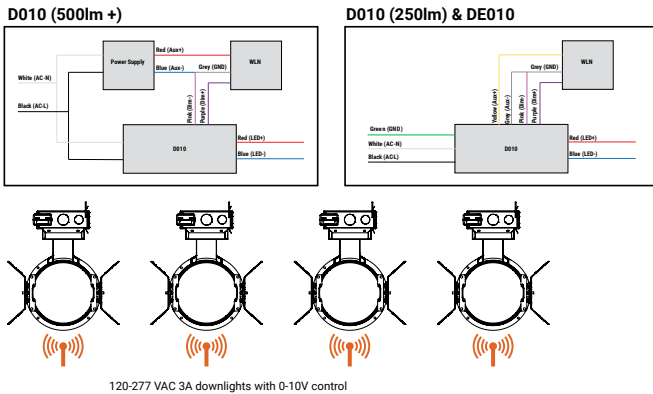
WaveLinx LITE devices only compatible with the WaveLinx LITE system.

- Intuitive Android™ or Apple® iOS® app for basic system code compliant set up and configuration via Bluetooth
- Up to 28 unique areas per project site (WaveLinx LITE Bluetooth network)
- Up to 50 devices for an area, any one of 16 control zones, up to 6 occupancy sets, and custom lighting scenes
- Refer to the WaveLinx system specifications for details
- Not available with BioUp or Tunable White

WaveLinx mobile app settings



WaveLinx LITE Wireless Node (WLN) Wiring Diagram



WaveLinx LITE Bluetooth Enabled System



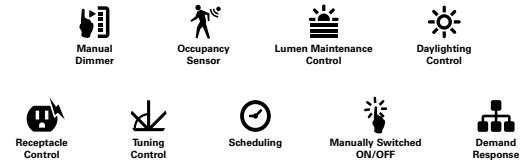
WaveLinx PRO Wireless Node - WPN

WaveLinx PRO devices only compatible with the WaveLinx PRO system.

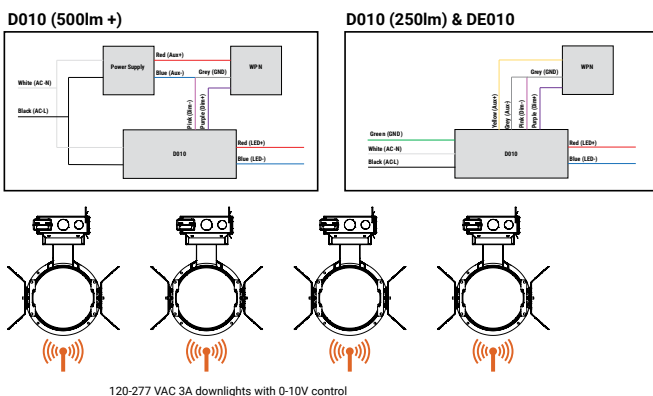
- WaveLinx Wireless functionality configures zones and customizes settings from one secure mobile app
- Automatic code commissioning that meets the strictest codes
- Fixtures and sensors integrate with WaveLinx Area Controller, Wall Stations, and Control Devices
- Stand-Alone Offices or Entire Building Network Installations



WaveLinx mobile app settings



WaveLinx PRO Wireless Node (WPN) Wiring Diagram



WaveLinx CORE Building Management Integration

