

## DESCRIPTION

The Arrowlinear fixture is a linear asymmetric system of lighting designed for wall washing and signage type applications. The fixture has multiple lengths and configurations, extruded aluminum housings, die cast end caps and mounting arms, and diffused acrylic lens. It is a simple and effective linear asymmetric lighting solution.

|                    |  |             |
|--------------------|--|-------------|
| <b>Catalog #</b>   |  | <b>Type</b> |
| <b>Project</b>     |  |             |
| <b>Comments</b>    |  | <b>Date</b> |
| <b>Prepared by</b> |  |             |

## SPECIFICATION FEATURES

### Construction

Housing is corrosion-resistant. Type 6063-T6 aluminum extrusion with die-cast aluminum end caps. End caps are secured by concealed stainless steel fasteners. Housing, end caps, and lens are sealed with single, closed cell silicone gaskets. Stainless steel hardware is standard. Reflector is constructed from 22 gauge cold rolled steel and pre-painted reflective white. A slightly diffused acrylic lens is standard, constructed of impact-resistant, U.V. stabilized virgin acrylic to prevent discoloration.

### Reflector

Fixture includes the Opti-Lock asymmetric reflector system, constructed of specular Alanod 2000GS aluminum.

### Electrical

Use 90° supply wire (provided by others). Linear Fluorescent - Medium Bi-Pin and Mini Bi-Pin. Ballast is integral to the luminaire and includes quick-disconnect to meet NEC and CEC code requirements for disconnecting power to the fixture during service and maintenance. Lamps available from Ametrix at additional cost. Fifthlight is not available in all options; consult factory for more information.

### Mounting

Fixture includes Slide-N-Mount™ adjustable, lockable, mounting arms constructed from Type 383 die-cast aluminum. Support structure by others.

### Finish

Fixture housing is coated using electro-statically charged polyester

powder coat paint for superior protection against fade and wear. Standard colors include white, silver, black, and bronze. Consult factory for custom colors.

### Aiming

Fixture includes the PointGrab2™ lockable aiming system, providing minimum 180 degree vertical adjustment of the fixture housing in 5 degree increments. The aiming feature locks securely in place by means of a stainless steel locking mechanism.

### Compliance

UL/ cUL listed for use in damp locations. (Only 4ft length listed for wet location and IP66). When specified without a lens, the fixture is UL/ cUL listed for dry locations only.



## ARROWLINEAR

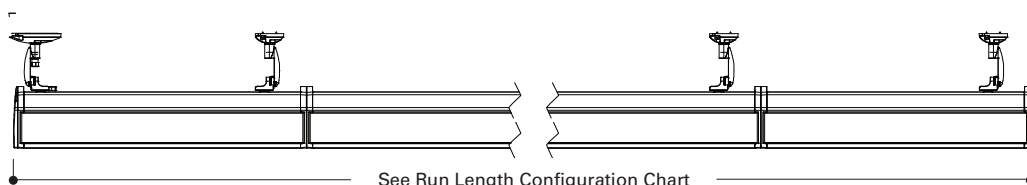
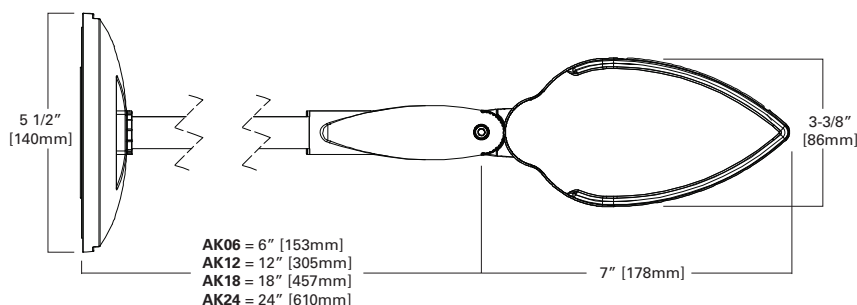
### FLUORESCENT

**Cantilever Mount**  
Asymmetric Indirect

Continuous Linear

CERTIFICATION DATA  
UL/cUL Dry Location Listing  
LM79 Compliant

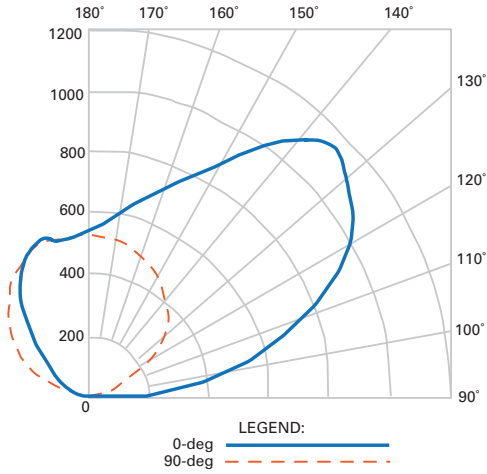
ENERGY DATA  
>0.9 Power Factor  
120V - 277V 50/60 Hz  
25°C Ambient Temperature



## ORDERING INFORMATION

Sample Number: AC-SI-N-1-LF-T8-UNV-B-RC3-NAT

| Series   | Size  | Lens   | (Number of Lamps)<br>Light Level   | Lamp Type                                 | Lamp Source <sup>(6)</sup>   | # of Circuits |
|--|---|--|--|---|--|---------------|
| AC = Arrowlinear Continuous Row <sup>(1)</sup>       | SI = Indoor <sup>(2)</sup><br>SO = Outdoor <sup>(3,4,5)</sup> | A = Acrylic <sup>(4)</sup><br>N = None                           | 1 = 1 Lamp   | LF = Linear Fluorescent Electronic        | N5 = T5 Normal<br>T5 = T5 High Output<br>T8 = Normal Output  | 1 = 1 Circuit |
| Wiring   | Voltage   | Finish   | Mounting   | Run Length                                | Options  |               |
| C = Standard Circuit<br>D = Dimming<br>E = Emergency | 120 = 120V<br>277 = 277V<br>347 = 347V<br>UNV = Universal     | B = Black<br>Z = Bronze<br>S = Silver<br>W = White<br>C = Custom | AK6 = 6" Adjustable Knuckle/ Integral<br>AK12 = 12" Adjustable Knuckle/ Integral<br>AK18 = 18" Adjustable Knuckle/ Integral<br>AK24 = 24" Adjustable Knuckle/ Integral | — = Specify in feet<br>(Ex. 44 for 44 ft) | F = Fusing<br>IL35 = 35" Internal Louver<br>IL35M = 35" Internal Louver - Fixture Match<br>NAT = Natatorium Environments <sup>(5,7)</sup><br>LMC = Large AK Mounting Canopies<br>(in lieu of standard) |               |



**FILE NAME:** A04-SI-A-1-LF-032 CEILING MOUNT  
**CEILING WASH**

---

**LAMP:** ONE 4' T8 LINEAR FLUORESCENT LAMP

---

**LUMENS:** 3100

---

**INPUT WATTS:** 32

---

**EFFICACY:** 96.2 LPW

---

**TEST REPORT:** 175P282

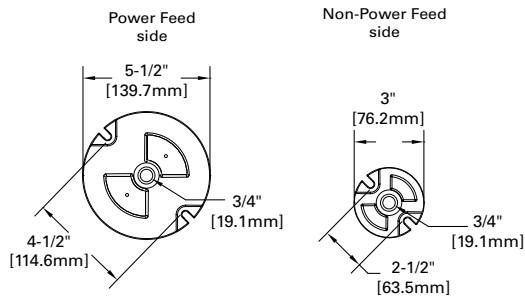
| ZONAL LUMEN SUMMARY |        |           |
|---------------------|--------|-----------|
| Zone                | Lumens | % Fixture |
| 0- 30               | 0      | 0         |
| 0- 40               | 0      | 0         |
| 0- 60               | 0      | 0         |
| 60- 90              | 14.5   | 0.6       |
| 70-100              | 126.3  | 5.6       |
| 90-120              | 677.9  | 29.9      |
| 0-90                | 14.5   | 0.6       |
| 90-180              | 2255.1 | 99.4      |
| 0-180               | 2269.6 | 100       |

ENERGY DATA

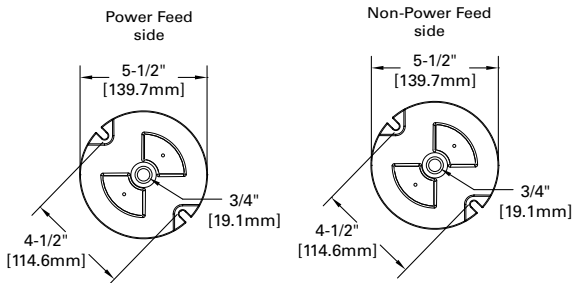
| Lamp Source         | Number of Lamps | Wattage   | Lamp Base     | Nominal Length | Actual Length       | Mounting Centers   |
|---------------------|-----------------|-----------|---------------|----------------|---------------------|--------------------|
| T8/T5HO Fluorescent | 1               | 14W / 24W | Mini Bi-Pin   | 2'             | 27-3/8" [695 mm]    | 22-13/16" [580mm]  |
|                     | 1               | 21W / 39W | Mini Bi-Pin   | 3'             | 39-3/16" [995mm]    | 34-5/8" [880mm]    |
|                     | 1               | 28W / 54W | Mini Bi-Pin   | 4'             | 51" [1295mm]        | 46-7/16" [1180mm]  |
|                     | 2               | 21W / 39W | Mini Bi-Pin   | 6'             | 77-7/16" [1967mm]   | 72-29/32" [1852mm] |
|                     | 2               | 28W / 54W | Mini Bi-Pin   | 8'             | 101-1/16" [2567 mm] | 96-17/32" [2452mm] |
|                     | 3               | 28W / 54W | Mini Bi-Pin   | 12'            | 151-3/16" [3839 mm] | 146-7/16" [3719mm] |
| T8 Fluorescent      | 1               | 17W       | Medium Bi-Pin | 2'             | 27-3/8" [695 mm]    | 22-13/16" [580mm]  |
|                     | 1               | 25W       | Medium Bi-Pin | 3'             | 39-3/16" [995mm]    | 34-5/8" [880mm]    |
|                     | 1               | 32W       | Medium Bi-Pin | 4'             | 51" [1295mm]        | 46-7/16" [1180mm]  |
|                     | 2               | 25W       | Medium Bi-Pin | 6'             | 77-7/16" [1967mm]   | 72-29/32" [1852mm] |
|                     | 2               | 32W       | Medium Bi-Pin | 8'             | 101-1/16" [2567 mm] | 96-17/32" [2452mm] |
|                     | 3               | 32W       | Medium Bi-Pin | 12'            | 151-3/16" [3839 mm] | 146-7/16" [3719mm] |

MOUNTING

AK Mount - Standard circular wall mount plate



LMC Mount - Standard circular wall mount plate



**RUN LENGTH CONFIGURATION CHART**

**Arrowlinear - Continuous - Cantilever**

INDOOR fixture row configurations For LED, T5, T5HO & T8 indoor applications only

| Nominal Length (feet) | 12' | 8' | 6' | 4' | 3' | 2' | Actual Length |
|-----------------------|-----|----|----|----|----|----|---------------|
| 2                     |     |    |    |    |    | 1  | 2.28          |
| 3                     |     |    |    |    | 1  |    | 3.26          |
| 4                     |     |    |    | 1  |    |    | 4.25          |
| 5                     |     |    |    | 1  |    |    | 4.25          |
| 6                     |     |    | 1  |    |    |    | 6.45          |
| 7                     |     |    | 1  |    |    |    | 6.45          |
| 8                     |     | 1  |    |    |    |    | 8.42          |
| 9                     |     | 1  |    |    |    |    | 8.42          |
| 10                    |     |    | 1  |    | 1  |    | 9.64          |
| 11                    |     |    |    | 2  | 1  |    | 11.61         |
| 12                    | 1   |    |    |    |    |    | 12.60         |
| 13                    | 1   |    |    |    |    |    | 12.60         |
| 14                    |     | 1  |    |    | 2  |    | 14.80         |
| 15                    |     | 1  |    |    | 2  |    | 14.80         |
| 16                    |     | 2  |    |    |    |    | 16.77         |
| 17                    |     | 2  |    |    |    |    | 16.77         |
| 18                    | 1   |    |    |    | 2  |    | 18.98         |
| 19                    | 1   |    |    |    | 2  |    | 18.98         |
| 20                    |     | 2  |    |    | 1  |    | 19.96         |
| 21                    | 1   |    |    | 2  |    |    | 20.94         |
| 22                    |     | 1  | 2  |    |    |    | 21.18         |
| 23                    |     | 2  | 1  |    |    |    | 23.15         |
| 24                    |     | 2  | 1  |    |    |    | 23.15         |
| 25                    | 2   |    |    |    |    |    | 25.12         |
| 26                    | 2   |    |    |    |    |    | 25.12         |
| 27                    | 2   |    |    |    |    | 1  | 27.32         |
| 28                    | 2   |    |    |    | 1  |    | 28.31         |
| 29                    | 2   |    |    | 1  |    |    | 29.29         |
| 30                    | 2   |    |    | 1  |    |    | 29.29         |
| 31                    | 2   |    | 1  |    |    |    | 31.50         |
| 32                    | 2   |    | 1  |    |    |    | 31.50         |
| 33                    | 2   | 1  |    |    |    |    | 33.47         |
| 34                    | 2   | 1  |    |    |    |    | 33.47         |

| Nominal Length (feet) | 12' | 8' | 6' | 4' | 3' | 2' | Actual Length |
|-----------------------|-----|----|----|----|----|----|---------------|
| 35                    | 2   |    |    | 2  |    | 1  | 35.67         |
| 36                    | 2   |    |    | 2  |    | 1  | 35.67         |
| 37                    | 3   |    |    |    |    |    | 37.64         |
| 38                    | 3   |    |    |    |    |    | 37.64         |
| 39                    | 2   |    | 1  | 2  |    |    | 39.85         |
| 40                    | 2   |    | 1  | 2  |    |    | 39.85         |
| 41                    | 2   | 2  |    |    |    |    | 41.82         |
| 42                    | 2   | 2  |    |    |    |    | 41.82         |
| 43                    | 2   | 2  |    |    |    |    | 41.82         |
| 44                    | 2   | 2  |    | 1  |    |    | 45.99         |
| 45                    | 2   | 2  |    | 1  |    |    | 45.99         |
| 46                    | 2   | 2  |    | 1  |    |    | 45.99         |
| 47                    | 3   |    | 1  |    | 1  |    | 47.21         |
| 48                    | 2   | 2  | 1  |    |    |    | 48.20         |
| 49                    | 2   | 2  | 1  |    |    |    | 48.20         |
| 50                    | 4   |    |    |    |    |    | 50.16         |
| 51                    | 4   |    |    |    |    |    | 50.16         |
| 52                    | 3   | 1  | 1  |    |    |    | 52.37         |
| 53                    | 4   |    |    |    | 1  |    | 53.35         |
| 54                    | 3   | 2  |    |    |    |    | 54.34         |
| 55                    | 3   | 2  |    |    |    |    | 54.34         |
| 56                    | 4   |    | 1  |    |    |    | 56.54         |
| 57                    | 4   |    | 1  |    |    |    | 56.54         |
| 58                    | 4   | 1  |    |    |    |    | 58.51         |
| 59                    | 4   | 1  |    |    |    |    | 58.51         |
| 60                    | 4   |    | 1  | 1  |    |    | 60.72         |
| 61                    | 4   |    | 1  | 1  |    |    | 60.72         |
| 62                    | 5   |    |    |    |    |    | 62.69         |
| 63                    | 5   |    |    |    |    |    | 62.69         |
| 64                    | 4   | 1  | 1  |    |    |    | 64.89         |
| 65                    | 4   | 1  | 1  |    |    |    | 64.89         |
| 66                    | 4   | 2  |    |    |    |    | 66.86         |
| 67                    | 4   |    | 2  | 1  |    |    | 67.10         |

| Nominal Length (feet) | 12' | 8' | 6' | 4' | 3' | 2' | Actual Length |
|-----------------------|-----|----|----|----|----|----|---------------|
| 68                    | 4   |    | 2  | 1  |    |    | 67.10         |
| 69                    | 5   |    | 1  |    |    |    | 69.07         |
| 70                    | 4   | 2  |    |    | 1  |    | 70.05         |
| 71                    | 4   | 2  |    | 1  |    |    | 71.03         |
| 72                    | 4   | 2  |    | 1  |    |    | 71.03         |
| 73                    | 4   | 2  | 1  |    |    |    | 73.24         |
| 74                    | 5   | 1  |    |    | 1  |    | 74.22         |
| 75                    | 6   |    |    |    |    |    | 75.21         |
| 76                    | 6   |    |    |    |    |    | 75.21         |
| 77                    | 5   | 1  | 1  |    |    |    | 77.41         |
| 78                    | 5   | 1  | 1  |    |    |    | 77.41         |
| 79                    | 5   | 2  |    |    |    |    | 79.38         |
| 80                    | 5   | 2  |    |    |    |    | 79.38         |
| 81                    | 6   |    | 1  |    |    |    | 81.59         |
| 82                    | 6   |    | 1  |    |    |    | 81.59         |
| 83                    | 6   | 1  |    |    |    |    | 83.56         |
| 84                    | 6   | 1  |    |    |    |    | 83.56         |
| 85                    | 6   |    | 1  |    | 1  |    | 84.78         |
| 86                    | 5   | 2  | 1  |    |    |    | 85.76         |
| 87                    | 7   |    |    |    |    |    | 87.73         |
| 88                    | 7   |    |    |    |    |    | 87.73         |
| 89                    | 6   | 1  | 1  |    |    |    | 89.94         |
| 90                    | 6   | 1  | 1  |    |    |    | 89.94         |
| 91                    | 7   |    |    |    | 1  |    | 90.92         |
| 92                    | 6   | 2  |    |    |    |    | 91.90         |
| 93                    | 6   | 2  |    |    |    |    | 91.90         |
| 94                    | 7   |    | 1  |    |    |    | 94.11         |
| 95                    | 7   |    | 1  |    |    |    | 94.11         |
| 96                    | 6   | 2  |    | 1  |    |    | 96.08         |
| 97                    | 6   | 2  |    | 1  |    |    | 96.08         |
| 98                    | 7   |    | 1  | 1  |    |    | 98.28         |
| 99                    | 7   | 1  |    |    | 1  |    | 99.27         |
| 100                   | 8   |    |    |    |    |    | 100.25        |

Note: Consult factory for alternate row configurations.

**TECHNICAL NOTES**

1. See Run Length Configuration Chart for details.
2. Indoor rows utilize maximum 12' sections.
3. Outdoor rows utilize maximum 4' sections.
4. Required for outdoor application and natatorium environments.
5. Requires acrylic lens option.
6. Lamp not included - available at additional cost.
7. Natatorium rows utilize maximum 4' sections.