

Project		Catalog #		Type	
Prepared by		Notes		Date	



Sure-Lites

SELHP100R3 Emergency Light

UL 924 Emergency Light
 Up to 100 Feet Egress Coverage
 Wall and Ceiling Mount
 Self-diagnostics Option

Typical Applications

Retail • Industrial

Product Certification



Product Features



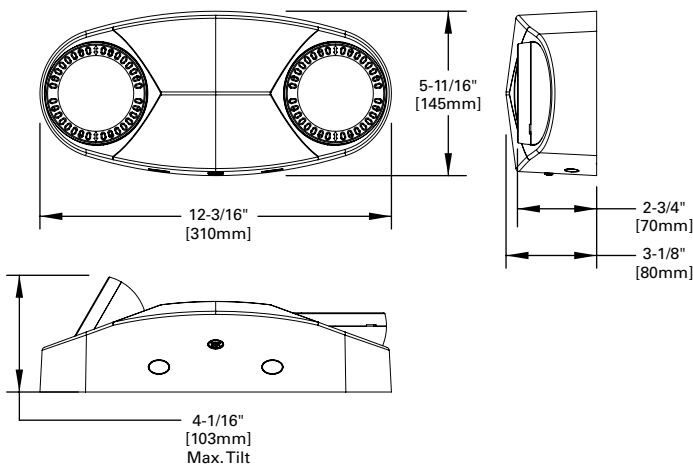
Interactive Menu

- Order Information [page 2](#)
- Photometric Data [page 3](#)
- Technical Data [page 4](#)
- Product Warranty

Top Product Features

- Provides emergency lighting for a minimum of 90 minutes
- Emergency egress coverage of 100 feet
- 4.3W, 580 lumen, long lasting, adjustable LED heads
- 3 Watts remote capacity
- Total system coverage of 130 feet with remote head
- LiFePO₄ Battery
- Labor saving self-diagnostics option automatically conducts required monthly NFPA testing
- 0°C to 50°C operating temperature
- Universal input 120 ~ 277 VAC

Dimensional Details



Catalog Logic for Remote Capable Versions

SAMPLE ORDER NUMBER: **SELHP100R3, SELHP100R3SD**

Series	Spacing	Battery	Remote Capacity	Color	Self Diagnostic	Full Catalog Options
SELHP=Emergency Light, High Power	100=100 feet	LiFePO ₄	R3=3 watts	_ =White	_ =No Self-Diagnostics SD=Self Diagnostic	SELHP100R3 SELHP100R3SD

Electrical Characteristics During Charging Mode

SELHP100R3, SELHP100R3SD

Model	120 volt			277 volt		
	Power (W)	Current (A)	PF	Power (W)	Current (A)	PF
SELHP100R3	2.4	0.04	0.45	2.6	0.03	0.245
SELHP100R3SD	4.5	0.07	0.54	4.6	0.05	0.33

Remote System Design Guidelines

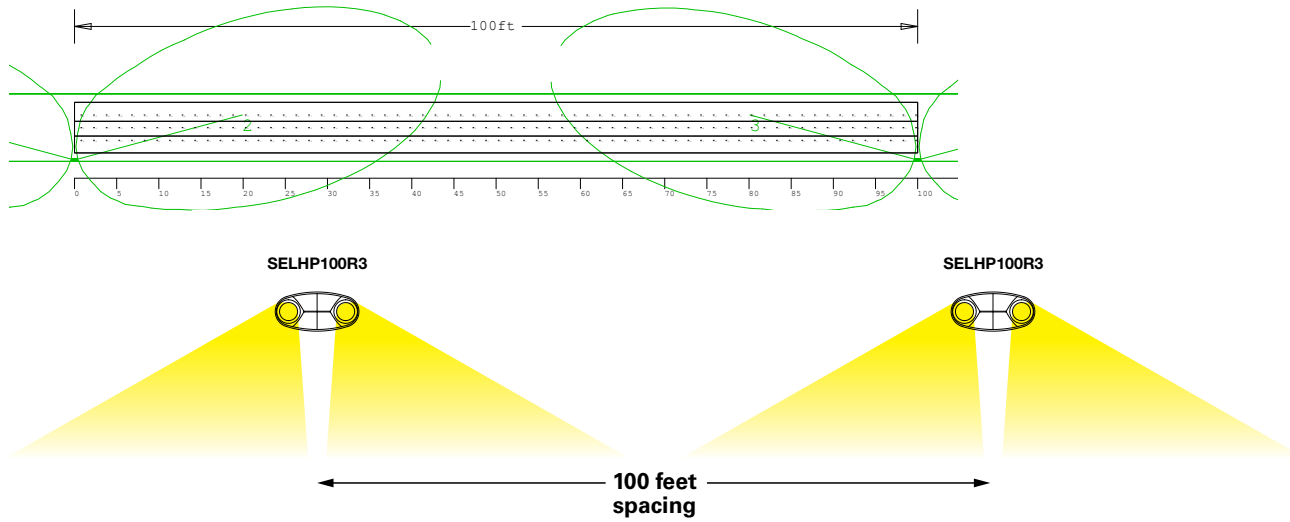
SELHP100R3, SELHP100R3SD

SEL Series Remote								
		Single Head Remotes				Double Head Remotes		
		SRPA	SRP13/SRM13	SRP25/SRM25	SRP30/SRM30	SRP25D/SRM25D	SRP50D/SRM50D	SRP60D/SRM60D
Watts Consumed		3.5	1.25	2.5	4.1	2.5	5	8.2
Catalog Number	Remote Watts Available	# of SRPA Remotes Fixture Will Power	# of SRP/SRM13 Remotes Fixture Will Power	# of SRP/SRM25 Remotes Fixture Will Power	# of SRP/SRM30 Remotes Fixture Will Power	# of SRP25D/SRM25D Remotes Fixture Will Power	# of SRP50D/SRM50D Remotes Fixture Will Power	# of SRP60D/SRM60D Remotes Fixture Will Power
SELHP100R3	3	NA	2	1	NA	1	NA	NA
SELHP100R3SD	3	NA	2	1	NA	1	NA	NA

Photometry

[View IES files](#)

SELHP100R3, SELHP100R3SD



Emergency Egress Coverage; Fixture Spacing ***					
Catalog Number	Output Lumens per Head	7.5 ft. Height Wall Mount	10 ft. Height Wall Mount	20 ft. Height Ceiling Mount	24 ft. Height Ceiling Mount
SELHP100R3 / SELHP100R3SD	580	100 feet	100 feet	80 feet	80 feet

***The "Rule of Thumb" spacing guidelines are designed to achieve 1 foot-candle average and 0.1 foot-candle minimum with a 40:1 maximum/minimum ratio. The fixture spacing shown above is with a corridor 100 feet long, 12 feet ceiling with an 8 foot wide walkway and a 3 foot path of egress.. The reflectances are 80% ceiling, 50% walls and 20% floors. Cooper Lighting Solutions assumes no responsibility for local requirements or specific project variables. This is a guideline to be used as a design aid, not as guarantee of any code compliance.

7.5 ft Height Wall Mount

X	Y	Z	Orient	Tilt
-0.2	3	20	180	40
0.2	3	20	0	40
79.8	3	20	180	40
80.2	3	20	0	40
159.8	3	20	180	40
160.2	3	20	0	40

Technical Data

Mechanical Housing

All components are injection molded with a color stable, high impact thermoplastic resin. The surface is textured to improve aesthetic appearance. The housing construction is designed with snap-fit components and reinforcement ribs to provide maximum strength at minimum installation effort. The mounting hole pattern is universal to junction box requirements and is suitable for both wall and ceiling mount applications.

Self Diagnostics

The self-diagnostic software will automatically perform all tests required by UL924, and NFPA101 and will systematically calibrate itself in the field; thus reducing installation labor and eliminating manual calibration errors. The system indicates the status of the emergency light at all times using the LED indicator. A 90 minute battery power (emergency mode) simulation test will occur once every 12 months. A 30 second battery power simulation test will occur every 30 days. The Solid-State microprocessor based system has the ability to accurately detect and warn of system failures, plus it incorporates all of the standard electronic features that sets Sure-Lites apart from its competition.

Low Voltage Disconnect

The low-voltage circuitry disconnects the lighting load to protect the battery after run times in excess of the 90 minute UL limit. The disconnect remains in effect until normal utility power is restored preventing deep battery discharge.

Brownout Circuit

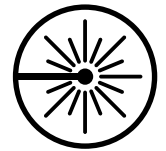
The brownout circuit on the SEL emergency light monitors the flow of AC current to the unit and activates the emergency light heads when a predetermined reduction of AC power occurs.

Warranty

SEL units are backed by a five-year warranty on the fixtures.

Self-diagnostics Testing Operations

The Sure-Lites Self-diagnostics is continuously monitoring your emergency fixture, and will signal any failure through the two color indicator LED.



Self-diagnostics

Initial Operation:

When the unit is first powered up, the lamp heads may briefly illuminate and then it will go into a 24 hour fast charge, indicated by the indicator LED alternating between red and green. Once the unit has fully charged, it will perform a self-calibration, after which the LED will change to steady green, indicating the unit is fully charged and float charging the battery to maintain readiness.

Automatic Testing:

The unit will perform battery capacity, lamp/LED and charge circuit test:

- Every 30 days for 30 seconds.
- Every 180 days for 30 minutes.
- Every 365 days for 90 minutes.
- The LED lamp heads will turn ON during the above tests.

Manual Testing:

- 30-second Test - Press and release the test button once during float charge (steady green). The indicator LED will change to a blinking green to indicate the unit is performing a 30-second test of the batteries and lamps/LEDs
- 30-Minute Test – Press and release the test button twice (within 2 seconds) during float charge (steady green). The indicator LED will change to blinking green (2 blinks) to indicate the unit is performing a 30-minute test of the batteries and lamps/LEDs.
- 90-Minute Test – Press and release the test button thrice (within 2 seconds) during float charge (steady green). The indicator LED will change to blinking green (3 blinks) to indicate the unit is performing a 90-minute test of the batteries and lamps/LEDs.
- Canceling Test – Press the test button for three seconds and then release during the 30-second/30-minute/90-minute test (blinking green) to return the fixture to its original state (hi-charge or float charge).

Clearing Failure Codes:

- A battery failure (LED two blink red) can be cleared by replacing the battery. Or, starting a test and holding the test button for 6 seconds will reset the system and clear any error codes. However, the error will return if the battery is faulty.
- Lamp/LED failure (LED four blink red) will clear when the unit successfully passes a manual or automatic 30 second test. If the error persists after retesting contact your Cooper Lighting Solutions representative for assistance.

Indicators:

- LED Off - No power to unit, emergency mode.
- LED Alternating Red/Green - Unit is in fast charge state.
- LED Steady Green - Unit is fully charged and is float charging the battery to maintain readiness.
- LED Steady Red - Battery is disconnected.
- LED Green Blink - Unit is in test mode.
- LED One Blink Red - Unit has failed a charging test. The electronics likely need to be serviced. See "Clearing Failure Codes" above.
- LED Two Blink Red - Battery has failed a capacity test, or the battery is disconnected. See "Clearing Failure Codes" above.
- LED Four Blink Red - Unit has failed lamp load test. LEDs may have been burned out and need to be serviced. See "Clearing Failure Codes" above.

Maintenance:

None required. Replace the batteries as needed according to ambient conditions. However, we recommend that the equipment be tested regularly in accordance with local codes.

SELF DIAGNOSTIC LEGEND

- (STEADY) NORMAL SERVICE
- (BLINK) TESTING
- (RED/GREEN FLASH) HI CHARGE
- (STEADY) BATTERY DISCONNECTED
- (FLASH) BATTERY RECHARGE FAILURE
- (DOUBLE BLINK) BATTERY FAILURE
- (FOUR BLINK) LAMP FAILURE
- (FIVE BLINK) REMOTE LAMP FAILURE

(WHEN APPLICABLE)

PRESS TEST SWITCH (WITHIN 2 SEC.)

1 TIME = 30 SEC. 2 TIME = 30 MIN.

3 TIME = 90 MIN.

SYSTEM RESET: PUSH AND HOLD TEST SWITCH FOR 6 SECONDS