

## Installation Instructions – CovSelect Linear Cove System

#

#



**IMPORTANT:** Read carefully before installing fixture. Failure to comply with these instructions may result in death, serious bodily injury and property damage. Retain for future reference.

Failure to comply with these instructions may result in death, serious bodily injury and property damage.

**WARNING**

**Risk of Fire, Electrical Shock, Cuts or other Casualty Hazards-** Installation and maintenance of this product must be performed by a qualified electrician. This product must be installed in accordance with the applicable installation code by a person familiar with the construction and operation of the product and hazards involved.



**Risk of Fire and Electric Shock-** Make certain power is OFF before starting installation or attempting any maintenance. Disconnect power at fuse or circuit breaker.



**Risk of Fire-** Minimum 90°C supply conductors.



**Risk of Personal Injury-** Due to sharp edges, handle with care.

**DISCLAIMER OF LIABILITY:** Cooper Lighting Solutions assumes no liability for damages or losses of any kind that may arise from the improper, careless, or negligent installation, handling or use of this product.

**NOTICE:** Green ground screw provided in proper location. Do not relocate.

**NOTICE:** Fixture may become damaged and/or unstable if not installed properly.

**Note:** Specifications and dimensions subject to change without notice.

**ATTENTION Receiving Department:** Note actual fixture description of any shortage or noticeable damage on delivery receipt. File claim for common carrier (LTL) directly with carrier. Claims for concealed damage must be filed within 15 days of delivery. All damaged material, complete with original packing must be retained.

**INSTALLATION**

1. Optimize cove design details utilizing the guidelines and diagram below. CovSelect is approved for indoor dry or damp installations only.

**Note:** Design the cove big enough so the light will wash the intended surface effectively. More space typically results in a more pleasing cove effect. A smaller cove does not produce better illumination and may trap light output. The cove face height should be optimized to hide visibility of the cove fixture while not interfering with the light distribution. See diagram below for reference.

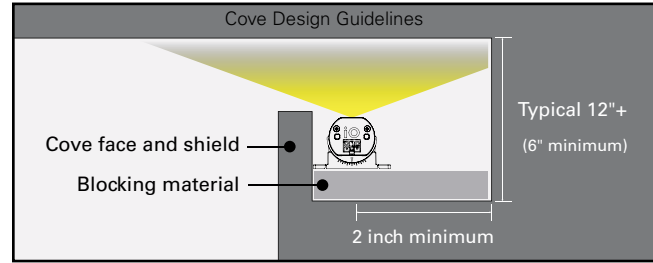


Figure 1.

2. Plan run lengths and power drops per run length limits in Table 1 below:

		Run Length Limits (ft)	
		1F=12"	4F=48"
<b>Dimming Protocol</b>	0-10V (STD)	Fixture Length	
		Source Current	0.2mA
		Input Current (120-277V)	64.8mA
		Maximum Run Length (ft) @ 120V	100
		Maximum Run Length (ft) @ 277V	150***
			228**

Table 1.

**Note:** \*Run must be limited to 100 ft when using both 1F and 4F fixtures in a single run at 120V.

\*\*Run must be limited to 200 ft when using both 1F and 4F fixtures in a single run at 277V.

\*\*\* Run length is limited based on common 30 mA dimmer limit. Run length could be extended to 200 ft for dimmers with 50 mA current rating.

3. Unpack fixtures, cables, and mounting hardware from boxes. See Figures 2.1 and 2.2 for key fixture details needed for proper installation.

**Note:** All installations require a beginning of run power cord with custom connector and junction box supplied by Cooper Lighting Solutions. Line voltage power supply line supplied by others. If your installation calls for the jumper cable accessory to add space between fixtures, make sure they are available.

**Note:** Jumper cable accessories and/or corner fixtures are required for curved runs or corners.

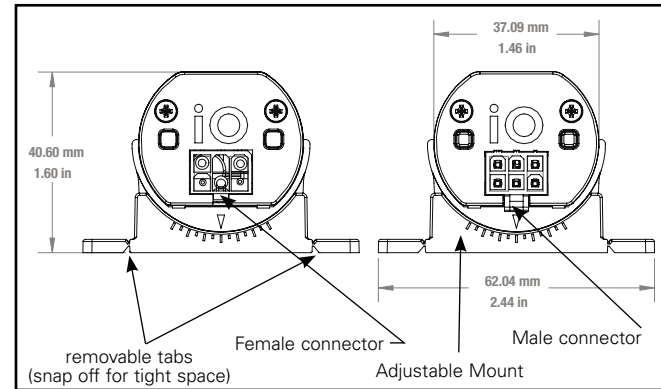


Figure 2.1

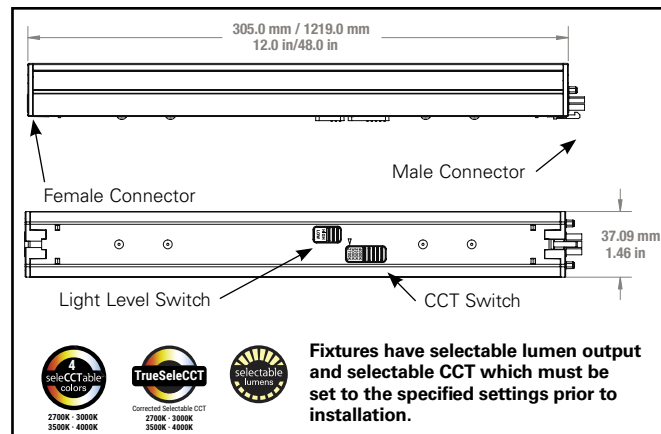


Figure 2.2

4. Prepare beginning of run junction box supplied with power cord for line voltage input by removing top screw. Open junction box wiring compartment. (See Figure 3) Feed line voltage power feed cable (supplied by others) through hole in junction box. Trim power feed to desired length. Using wiring nuts, connect power feed to beginning of run power cord wires according to Wiring Chart (on page 3). Green ground strap must be connected for safe operation. See Wiring Table (Below) for more details.

**Note:** Minimum of 16 AWG power lead cable wires to be used.

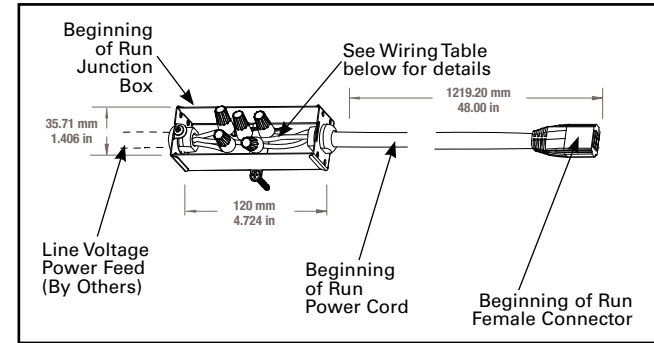


Figure 3

**Wiring Table**

Power Supply (Input)	
	Black (BK) - Hot
	White (WT) - Neutral
	Green (GN) - Ground
	Violet (VT) - Dimming (+)
	Pink (PK) - Dimming (-)

5. Close junction box by tightening top screw.

6. Set light level/output and CCT with field selectable switches on the bottom of the fixtures before installation.

**Note:** Fixtures have field selectable lumen output and field selectable CCT which should be set to specified settings prior to setting in run. (See Figure 4).

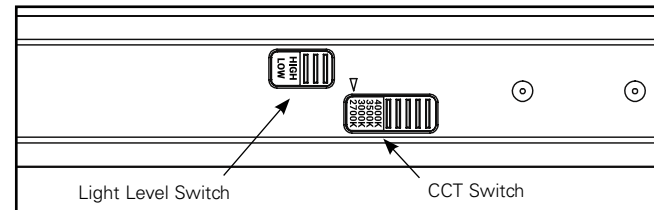


Figure 4

7. Fixtures can be rotated in the adjustable mount up to 30 deg in either direction to aim light distribution if desired. (see Figure 5). Marks on the adjustable mount should be used to ensure consistent aiming along the run.

**Note:** It is necessary to set the aiming angle before making connections between fixtures.

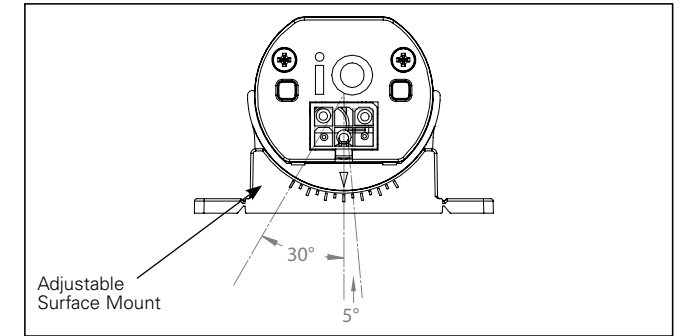


Figure 5

8. Fixtures must be placed on a flat surface before connecting them together. Connect fixtures together along run. Fixtures must **CLICK** together to ensure secure connection of fixtures along the run (see Figure 6). After each fixture connection is completed, fixture mounts must be secured to the solid surface (Figure 7) using appropriate screws (by others) before connecting the next fixture in the run.

9. Make beginning of run power connection as shown in Figure 6 and place CovSelect fixtures loose on flat surface of cove until run is completed.

**Note:** Fixtures should not be powered until entire run installation is complete

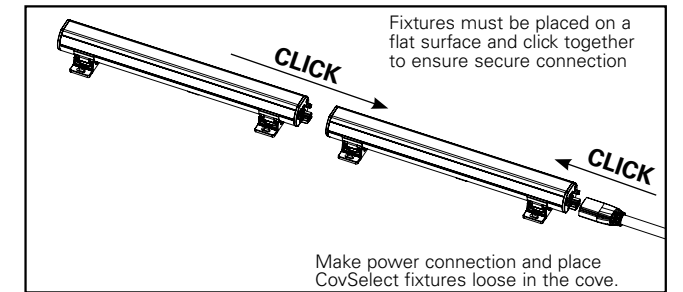


Figure 6

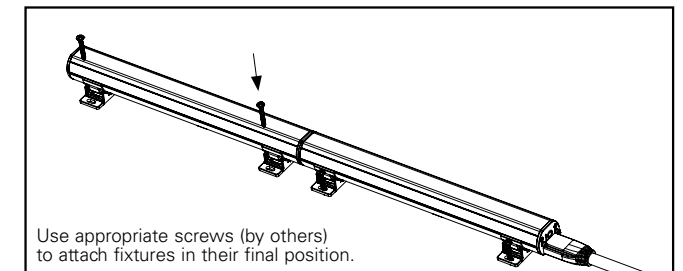


Figure 7

**REMOVAL**

1. For removal of fixture, power cable, or jumper connectors **MUST** be released by pressing the tab under the end of the fixture body or connector as shown in Figure 8a through 8e below.

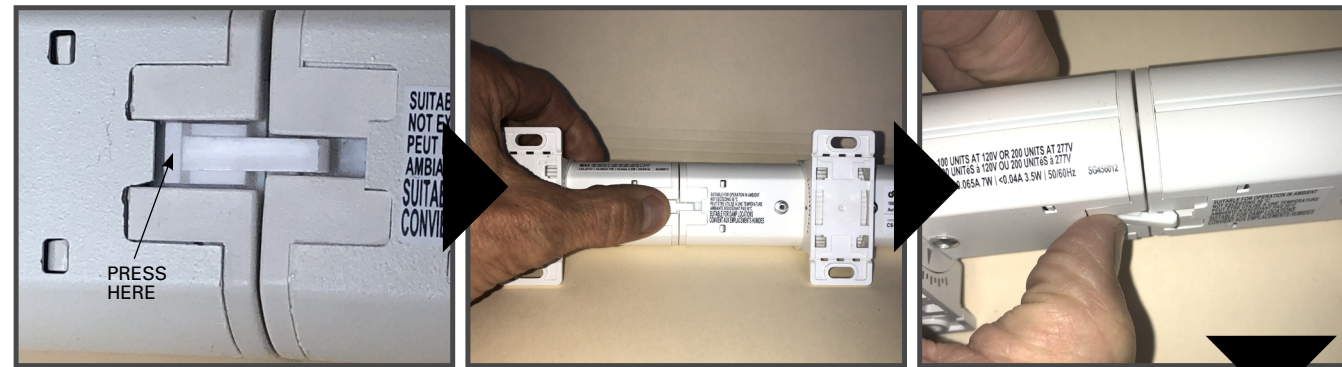


Figure 8a

Figure 8b

Figure 8c

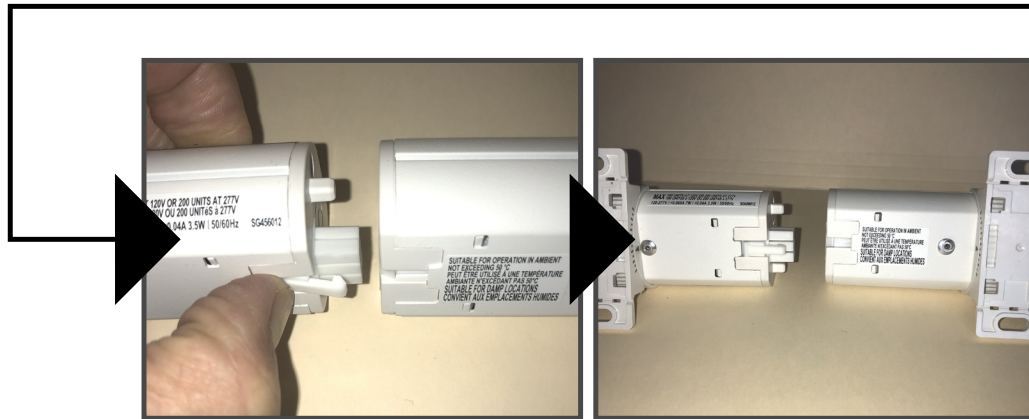


Figure 8d

Figure 8e

**Warranties and Limitation of Liability**

Please refer to [www.cooperlighting.com/LightingWarrantyTerms](http://www.cooperlighting.com/LightingWarrantyTerms) for our terms and conditions.

**Garanties et limitation de responsabilité**

Veillez consulter le site [www.cooperlighting.com/LightingWarrantyTerms](http://www.cooperlighting.com/LightingWarrantyTerms) pour obtenir les conditions générales.

**Garantías y Limitación de Responsabilidad**

Visite [www.cooperlighting.com/LightingWarrantyTerms](http://www.cooperlighting.com/LightingWarrantyTerms) para conocer nuestros términos y condiciones.

**FCC Statement**

•This device complies with Part 15 of the FCC Rules. Operation is subject to the following two conditions:

- (1) This device may not cause harmful interference.
- (2) This device must accept any interference received, including interference that may cause undesired operation.

**Note:** The grantee is not responsible for any changes or modifications not expressly approved by the party responsible for compliance. Such modifications could void the user's authority to operate the equipment.

**Note:** The equipment has been tested and found to comply with the limits for a Class A digital device, pursuant to part 15 of the FCC Rules.

These limits are designed to provide reasonable protection against harmful interference in a commercial installation. This equipment generates uses and can radiate radio frequency energy and, if not installed and used in accordance with the instructions, may cause harmful interference to radio communications. However, there is no guarantee that interference will not occur in a particular installation. If this equipment does cause harmful interference to radio or television reception, which can be determined by turning the equipment off an on, the user is encouraged to try to correct the interference by one or more of the following measures:

- Reorient or relocate the receiving antenna.
- Increase the separation between the equipment and receiver.
- Connect the equipment into an outlet on a circuit different from that to which the receiver is connected.
- Consult the dealer or an experienced radio/TV technician for help.

This device complies with FCC radiation exposure limits set forth for an uncontrolled environment. This equipment must be installed and operated in accordance with provided instructions and the antenna(s) used for this transmitter must be installed to provide a separation distance of at least 20 cm from all persons.

**Cooper Lighting Solutions**  
18001 East Colfax Avenue  
Aurora, CO 80011  
P: 1-800-760-1317  
[www.cooperlighting.com](http://www.cooperlighting.com)

**Canada Sales**  
5925 McLaughlin Road  
Mississauga, Ontario L5R 1B8  
P: 800-863-1354

© 2022 Cooper Lighting Solutions  
All Rights Reserved  
Printed in USA  
Imprimé aux États-Unis  
Impreso en los EE. UU.  
Publication No. IB52447721EN  
August 25, 2022



Cooper Lighting Solutions is a registered trademark. All trademarks are property of their respective owners.

Cooper Lighting Solutions est une marque de commerce déposée. Toutes les autres marques de commerce sont la propriété de leur propriétaire respectif.

Cooper Lighting Solutions es una marca comercial registrada. Todas las marcas comerciales son propiedad de sus respectivos propietarios.

Product availability, specifications, and compliances are subject to change without notice.

La disponibilité du produit, les spécifications et les conformités peuvent être modifiées sans préavis.

La disponibilidad de productos, las especificaciones y los cumplimientos están sujetos a cambio sin previo aviso.