

Project		Catalog #		Type	
Prepared by		Notes		Date	



Metalux

LHB

LED Linear High Bay Lensed

Typical Applications

• Industrial • Manufacturing • Gymnasium* • Warehouse

*Rigid mount not for use in gymnasiums.

Interactive Menu

- Order Information [page 2](#)
- Photometric Data [page 3](#)
- Product Warranty

Product Certification



Product Features

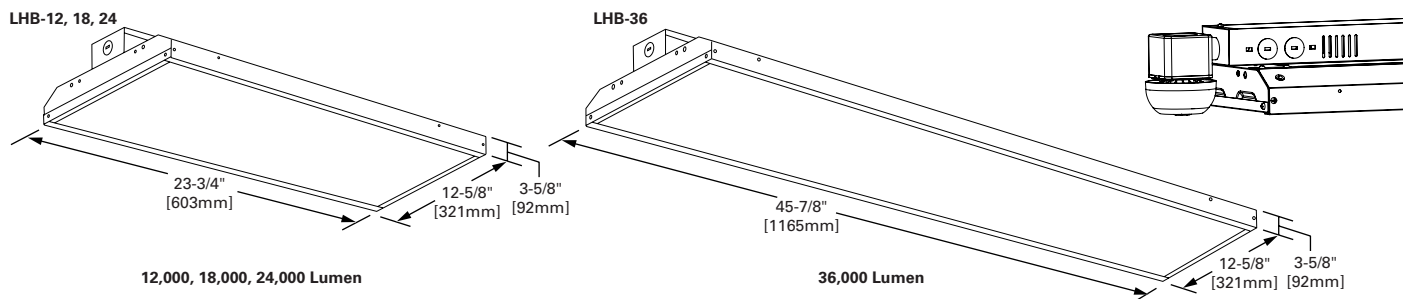


Rapid Response
[CLICK HERE](#)

Top Product Features

- 13 inch width in 2ft and 4ft lengths
- Standard diffused lens provides added protection and glare control
- High performance efficacy up to 143 lm/W
- Efficient 1-for-1 replacement of linear fluorescent and HID fixtures
- Lumen packages – 12,000, 18,000, 24,000 and 36,000

Dimensional and Mounting Details



Order Information

SAMPLE ORDER NUMBER: **LHB-18-UNV-L840-CD-U** Includes V Hangers and (2) 18" pieces of chain for rapid installation

Series	LED Lumen Output	Lensing	Voltage	CCT	Driver Type	Options	Packaging
LHB=LED High Bay	12=12,000 Lumens 18=18,000 Lumens 24=24,000 Lumens 36=36,000 Lumens	[Blank]=with Diffused Lens	UNV=Universal Voltage 120-277	L840=4000K L850=5000K	CD=0-10V Dimming Driver	EL7W-REM=EM pack, remote installation, 7W EL14W-REM=EM pack, remote installation, 14W EL20W-REM=EM pack, remote installation, 20W MS=Motion Sensor (360° or 180°) OEPF010VMV=Occupancy Sensor with Integrated Photocell C6=6' cord, 18/3, white C12=12' cord, 18/3, white PC6/277=6' white cord, 18/3, with 277V, 15A NEMA twist-lock plug PC12/277=12' white cord, 18/3, with 277V, 15A NEMA twist-lock plug ZW-SWPD3=WaveLinX Wireless Sensor, Sidecar mount, with 1200 sq ft. coverage WLS4=WaveLinX Lite Wireless Integrated Sensor, 15'-40' Mounting Height ⁽³⁾	U=Unit Pack
Notes		Notes				Notes	
(1) DesignLights Consortium® Qualified and classified for DLC Premium, refer to www.designlights.org for details.		(2) For non-lensed option, follow the lens removal directions in the installation instructions.				For expedited delivery of LHB with options, choose the Rapid Response program. Click hot link for details. (3) WaveLinX Lite devices are not currently compatible with the WaveLinX Pro Wireless Area Controller.	

Accessories

Accessories (order separately) ⁽⁴⁾
LHB-WG23=Wire Guard Kit for 12,000, 18,000 and 24,000 lumen units LHB-WG45=Wire Guard Kit for 36,000 lumen units LHB-SMK=Surface Mount Kit LHB-PMK=Pendant Mount Kit EBPLED7W=7 Watt emergency ballast pack - field installed EBPLED14W=14 Watt emergency ballast pack - field installed OEF-P-2MHO-MV-SL=Motion sensor, 360 degrees, 120-277V, side mount - field installed LHB-Y-TOGGLE-3M= Y-toggle aircraft cables (2), 9 feet 10 inches length
Notes
(4) Rigid mount not recommended for use in gymnasiums.

Product Specifications

Construction

- Full body construction with center driver housing for added durability and thermal control

Electrical

- Long-life LED system coupled with electrical driver to deliver optimal performance
- LED's available in 4000K and 5000K with a CRI ≥ 80
- Electronic drivers are available for 120-277V applications
- Standard 0-10V dimming

Finish

- Standard white polyester powder coat finish painted after fabrication for increased durability and rust inhibition

Optics

- Diffused lens provides added protection and glare control

Mounting

- The LHB series is ideally suited for suspension mounting with wire hook and chain set included

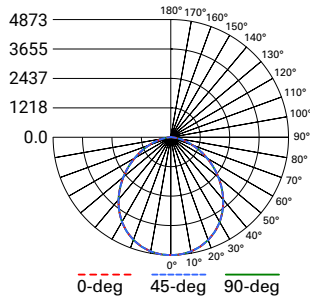
Compliance

- Luminaires are cULus listed for damp locations -20°C to 50°C ambient environments with 0-10V drivers
- cULus listed
- LED modules comply with IESNA LM-79 and LM-80 standards
- DesignLights Consortium® Qualified and classified for DLC Premium, refer to www.designlights.org for details

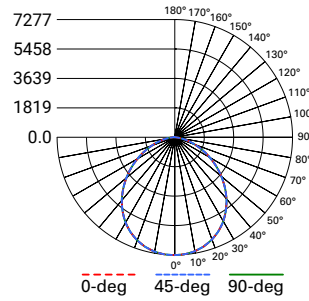
WaveLinX Lite devices are not currently compatible with the WaveLinX Pro Wireless Area Controller

Photometric Data

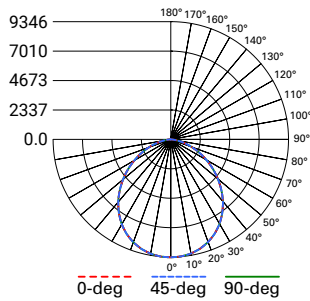
[View IES files](#)



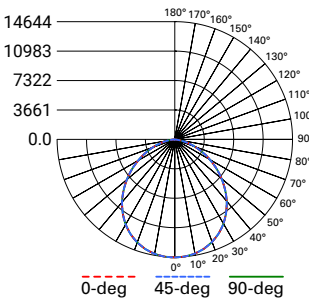
LHB-12-UNV-L850-CD-U
 Electronic Driver
 Linear LED 5000K
 Spacing criterion: (H) 1.23 x mounting height, (L) 1.23 x mounting height
 Lumens: 12390
 Input Watts: 86.9W
 Efficacy: 142.6 lm/W
 Test Report: LHB-12-UNV-L850-CD-U.IES



LHB-18-UNV-L850-CD-U
 Electronic Driver
 Linear LED 5000K
 Spacing criterion: (H) 1.23 x mounting height, (L) 1.23 x mounting height
 Lumens: 18500
 Input Watts: 132.2W
 Efficacy: 139.9 lm/W
 Test Report: LHB-18-UNV-L850-CD-U.IES



LHB-24-UNV-L850-CD-U
 Electronic Driver
 Linear LED 5000K
 Spacing criterion: (H) 1.23 x mounting height, (L) 1.23 x mounting height
 Lumens: 23760
 Input Watts: 171.8W
 Efficacy: 138.3 lm/W
 Test Report: LHB-24-UNV-L850-CD-U.IES



LHB-36-UNV-L850-CD-U
 Electronic Driver
 Linear LED 5000K
 Spacing criterion: (H) 1.23 x mounting height, (L) 1.23 x mounting height
 Lumens: 37230
 Input Watts: 265.2W
 Efficacy: 140.4 lm/W
 Test Report: LHB-36-UNV-L850-CD-U.IES

Energy and Performance Data

Catalog Number	Lensed		Watts	Non-Lensed	
	Delivered Lumens	Efficacy (lm/W)		Delivered Lumens	Efficacy (lm/W)
LHB-12-UNV-L840-CD-U	12390	143	87	13249	152
LHB-12-UNV-L850-CD-U	12390	143	87	13249	152
LHB-18-UNV-L840-CD-U	18500	140	132	20044	152
LHB-18-UNV-L850-CD-U	18500	140	132	20044	152
LHB-24-UNV-L840-CD-U	23760	138	172	26530	154
LHB-24-UNV-L850-CD-U	23760	138	172	26530	154
LHB-36-UNV-L840-CD-U	37230	140	265	41570	157
LHB-36-UNV-L850-CD-U	37230	140	265	41570	157

Lumen Maintenance

Ambient Temperature	TM-21 Lumen Maintenance (60,000 hours)	Theoretical L70 (Hours)
25°C	> 85%	> 122,000

Ambient Ratings

Lumen Package	Ambient Rating
LHB-12	50°C
LHB-18	50°C
LHB-24	50°C
LHB-36	50°C

Input Watts

Lumens	Watts
12 (12,000 lumens)	87W
18 (18,000 lumens)	132W
24 (24,000 lumens)	172W
36 (36,000 lumens)	265W

Shipping Data

Catalog No.	Wt.
LHB-12	10 lbs.
LHB-18	11 lbs.
LHB-24	11 lbs.
LHB-36	18 lbs.