

Project		Catalog #		Type	
Prepared by		Notes		Date	



Fail-Safe

GRW/GRV

1x4 / 2x2 / 2x4 LED Recessed Lensed Troffer
Wet Location
Vandal Resistant

Typical Applications

Schools • Locker Rooms • Closets • Kitchens • Cafeterias • Restrooms • Storage Areas • Stock Rooms • Garages • Break Rooms

Interactive Menu

- Order Information page 2
- Energy and Performance Data page 3
- Product Warranty

Product Certification



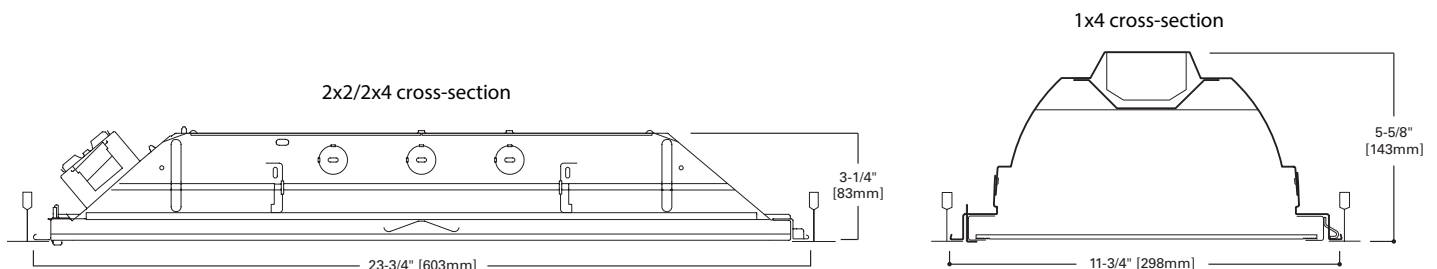
Product Features



Product Features

- Wet location listed under covered ceilings when specified
- GRV available with prismatic polycarbonate up to 0.187" thick
- Up to 18,000 lumen packages
- Security latch available on GRW, standard on GRV
- Flat aluminum door frame, painted white standard
- Damp location standard
- Anti-microbial paint and custom color powder coat paint available
- Paint after fabrication available
- Options to meet Buy American and other domestic preference requirements

Dimensional and Mounting Details



[additional product diagrams](#)

Order Information

SAMPLE ORDER NUMBER: **GRV-24-2-FA-LD4-43-40-P125-UNV-ED1D1-GSK**
GRW-12-4-FA-LD4-32-50-A12125-UNV-EDC1-SL

Domestic Preferences ⁽⁸⁾	Rating	Series	Style	Width	Length	Door Frame	LED Type	Lumens		
[Blank] =Standard BAA =Buy American Act TAA =Trade Agreements Act	[Blank] =Standard ATW-SW4 =Chicago Rated	GR =GR Troffer	W =Wet Location V =Vandal	12 =12" 24 =24"	2 =2' (not available 12" wide) 4 =4'	FA =Flush White Extruded Aluminum	LD4 =LED 4.0	1x4 ⁽⁴⁾ 24 =2400 32 =3200 43 =4300	2x2 ⁽⁴⁾ 24 =2400 32 =3200 43 =4300 50 =5000 70 =7000 90 =9000	2x4 ⁽⁴⁾ 48 =4800 64 =6400 72 =7200 90 =9000 120 =12000 150 =15000 180 =18000
Notes (8) Only product configurations with these designated prefixes are built to be compliant with the Buy American Act of 1933 (BAA) or Trade Agreements Act of 1979 (TAA), respectively. Please refer to DOMESTIC PREFERENCES website for more information. Components shipped separately may be separately analyzed under domestic preference requirements.								Notes (4) Nominal lumen output with A125 lens.		

Color Temperature	Lens	Voltage	Driver Type/# of Circuits	Options
30 =3000K 35 =3500K 40 =4000K 50 =5000K	GRW A12125 =#12 Pattern, 0.125" thick clear prismatic acrylic P125 =0.125" thick, clear prismatic polycarbonate GRV ACTF140 =Acri-Tuf® impact resistant prismatic, 0.140" thick P125 =0.125" thick, clear prismatic polycarbonate P156 =0.156" thick, clear prismatic polycarbonate P187 =0.187" thick, clear prismatic polycarbonate	UNV =Universal 120 =120V 277 =277V 347 =347V	EDC1 =Electronic Driver, non-dimming, 1 circuit EDC2 =Electronic Driver, non-dimming, 2 circuit ⁽⁵⁾ EDD1 =Electronic Driver, Dimming, 10%, 1 circuit EDD2 =Electronic Driver, Dimming, 10%, 2 circuit ⁽⁵⁾ ED1D1 =Electronic Driver, 0-10v Dimming 1%, 1 circuit ED1D2 =Electronic Driver, 0-10v Dimming 1%, 2 circuits ⁽⁵⁾	PAF =Painted After Fabrication (gloss white finish) GL =Single Element Fuse GM =Double Element Fuse EL7W =7-watt, 120V-277V emergency ⁽³⁾ EL14W =14-watt 120V-277V emergency battery pack installed ⁽³⁾ GTR2 =Bodine Generator Transfer Relay specify voltage 120 or 277 ⁽⁶⁾ ETRD =Iota Emergency Transfer Relay with dimming control, specify ⁽⁶⁾ voltage 120 or 277 GSK/GRD =Closed cell gasket on housing flange, that rests on ceiling grid (Standard GRW) SL =Security Latch, (2) phillips pan-head, white painted screws SLTP =Security Latch, (2) tamper proof Torx T20, white painted screws (Standard GRV) INV = Inverted Lens (prisms up, smooth side down) AM =Anti-microbial exposed surfaces only (door) 90 =90 CRI
			Notes (5) 2 circuit options, EDC2, EDD2, ED1D2 are ONLY available with 10,000 lumens and up, and 2 circuit option is only available on the 4' length.	Notes (3) With integral test switch/indicator/laser test. For approximate delivered lumens multiply the lumens per watt of the desired fixture by the wattage of the emergency battery pack (100 lm/W x 7=700 lumens). IES-format photometry for luminaire under emergency operation available. (5) 2 circuit options, EDC2, EDD2, ED1D2 are ONLY available with 10,000 lumens and up, and 2 circuit option is only available on the 4' length. (6) Used to bypass local control during outage. Must be used in conjunction with UL 1008 device (provided by others). GTR2 option includes (2) relays on fixtures with dimming drivers. ETRD option only requires (1) relay when used on a dimming fixture. Must specify voltage as 120V or 277V when ordering these devices.

Accessories (order separately) ⁽⁹⁾
EQ-CLIP-U =T-BAR Safety Earthquake Clips ⁽¹⁾ DFCL-1248W-U =1' x 4' Drywall Frame Kit ⁽⁷⁾ DFCL-2424W-U =2' x 2' Drywall Frame Kit ⁽⁷⁾ DFCL-2448W-U =2' x 4' Drywall Frame Kit ⁽⁷⁾ DFVR/GRV-1248W-U =1' x 4' Drywall Frame Kit ⁽⁷⁾ DFVR/GRV-2424W-U =2' x 2' Drywall Frame Kit ⁽⁷⁾ DFVR/GRV-2448W-U =2' x 4' Drywall Frame Kit ⁽⁷⁾
Notes (1) An EQ Grid Clip is recommended for all 9/16" ceiling systems. (7) DFCL (gasketed drywall framing kit) is used to install the GRW in hard-ceiling applications. The DFVR/GRV (vandal gasketed drywall framing kit) is required for the GRV in hard ceiling applications. For anti-microbial matte white finish, replace the W with AMW in ordering logic. (9) Accessories sold separately will be separately analyzed under domestic preference requirements. Consult factory for further information.

Energy and Performance Data

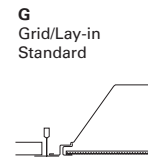
Approximate Lumen Multiplier

A125	1.0
A19/156	0.975
P125	0.950
P156	0.925
P187	0.900
ACTF140	0.940

Lumen Calculator

Approximate CCT Multiplier	
2700K	0.95
3000K	0.98
3500K	1.00
4000K	1.00
5000K	1.01

Ceiling Compatibility



G
Grid/Lay-in
Standard

Ceiling Type	Trim Type
Exposed Grid	G
Concealed T	G
Slot Grid	G

(Verify compatibility/ consult factory.)

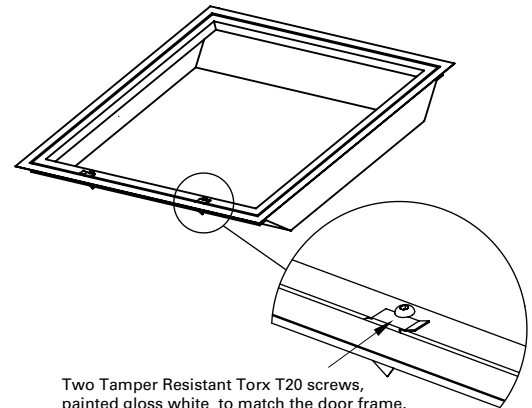


FA
Flat, Extruded
White Aluminum

Lumens/Wattages

Size	Lumens	Wattage
1' x 4'	2232	21.0
	2975	29.8
	3998	42.0
2' x 2'	2232	19.2
	2975	29.9
	3998	40.1
	4649	40.4
	6509	64.2
2' x 4'	8368	86.0
	4463	37.4
	5951	48.1
	6695	56.0
	8368	69.1
	11158	90.1
	13947	120.3
16736	144.2	

Vandal Resistant Security Latch Detail



Two Tamper Resistant Torx T20 screws, painted gloss white to match the door frame. Available non-resistant proof screw, optional (SL).

Product Specifications

Construction

- Housing is die formed of cold rolled steel and features full length die-formed stiffeners and unibody endplate for added strength. Side flanges are hemmed
- Design provides superior lens brightness uniformity and visual comfort
- Unibody endplates are securely attached with interlocking tabs and screws
- Four auxiliary fixture end suspension points provided
- Endplates have integral Grid-lock feature for safety and convenience
- Designed for exposed 15/16" or 9/16" wide inverted T-grid. Not compatible with 1 1/2" inverted.

Finish

- Multi-stage, iron phosphate pre-treatment ensures maximum bonding and corrosion inhibition
- Housing and driver cover finished with 90% reflective white enamel
- Painted After Fabrication option available

Hinging/Latching

- Positive spring loaded steel latches with baked white enamel finish
- Safety-lock T-hinges allow hinging and latching either side
- GRV incorporates tamper resistant screws that secure the latch in place

Door Frame/Lens/Gasket

- Door Frame is constructed of flat aluminum extruded sides and ends, painted gloss white powder coat
- GRW lens is available with either Pattern 12 acrylic, 0.125" thick, or prismatic polycarbonate, 0.125" thick
- GRV is offered with prismatic polycarbonate lenses ranging from 0.125" to 0.187" thick
- GRW incorporates closed cell gasket between housing and grid, between housing and door frame, and between lens and door frame

Electrical/Controls

- LED system coupled with electrical driver delivers optimal performance
- LED's available in 3000K, 3500K, 4000K or 5000K with minimum 80 CRI
- Projected life is 60,000 hours at 90% lumen output
- cULus listed
- Electronic drivers for 120-277V applications
- 0-10V dimming available for 1% and 10%

Emergency Battery Pack Option

- 120V-277V integral emergency battery pack is available in 7-watt or 14-watt to meet critical lifesafety lighting requirements
- The 90-minute battery provides constant power to the LED system, ensuring code-compliance

Compliance

- Modules are UL recognized components and indoor luminaires are cULus listed for 25°C ambient environments
- RoHS compliant, and LED modules comply with IESNA LM-79 and LM-80 standards
- Fixtures are suitable for direct insulation contact
- GRW is UL wet location listed under covered ceilings
- GRV is damp location listed
- Options to meet Buy American and other domestic preference requirements.

Warranty

- Five year limited warranty standard