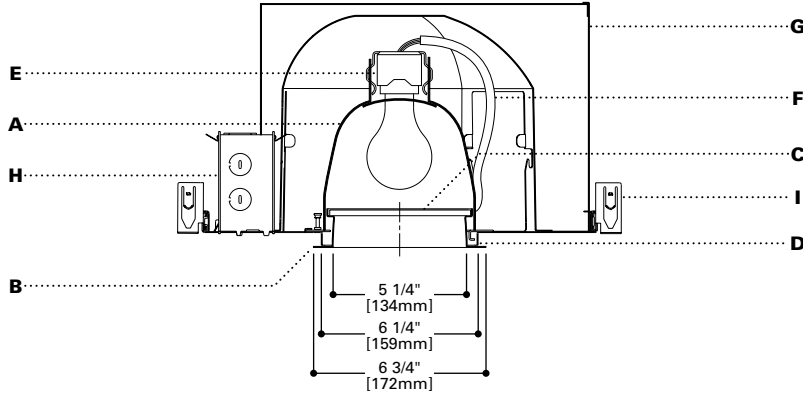


## DESCRIPTION

Specification grade wet listed A lamp fixture rated for direct contact with insulation. Regressed frosted lens provides a low brightness aperture and a smooth illumination pattern. **Lamp module and**

**optical element can be changed after installation to provide a variety of lamp sources and distributions. e.g. into a PAR36 Adjustable**



## SPECIFICATION FEATURES

### A...Reflector

.040 thick aluminum specular clear upper and spun parabolic lower reflector in Clear, Gold, Haze, Warm Haze, Black Alzak® finish, painted gloss white or matte white. Special cone colors listed below.

### B...Flange

Self flange reflector or die cast flange with either matte white or clear coat finish. Die cast flanges are easily removed for field painting. Elements are keyed for proper insertion. Gasket is a closed cell foam.

### C...Lens

.125 thick frosted lens obscures lamp and is retained during relamping.

### D...Attachment

Positive torsion springs pull flange tight to ceiling. Mechanical light trap eliminates spill light at edge of flange or reflector.

### E...Socket

Nickel plated porcelain socket. Fixed socket height ensures consistent lamp position.

### F...Electrical

Keyed quick connect provides easy lamp module installation.

### G...Frame/Housing

Hot dipped galvanized 20 gauge steel frame with built in 1/2 inch plaster lip Aluminum .032 thick housing allows for heat dissipation and reduces weight.

### H...Junction Box

18 cubic inches, listed for 4#12 AWG or 6#14 AWG 90° C additional feed through conductors, has six 1/2 inch pryouts.

### I...Bar Hangers

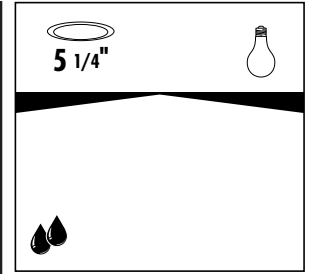
No Flex® bar hangers with positive locking, for use with joists spaced up to 24" O.C. ship with platform. For use in T-bar ceilings order accessory MBCLP. Nailless barb and locator lip provide consistent installation height.

### J...Codes

Thermally protected, IP labeled, for use in direct contact with insulation. Meets Washington State Air tight requirements, 1995 CABO Model Energy Code.

### K...Labels

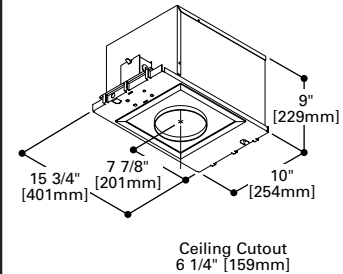
UL and cUL listed, standard wet label, IBEW union made.



**P5  
M120  
E5SR**

**75 W A 19  
75 W BT 15  
60 W MB 19**

**5" REGRESSED LENS  
SHOWERLIGHT**



## ORDERING INFORMATION

Complete unit consists of a platform, module and element

Platform	Lamp Module	Optical Element	Finish	Flange	Accessories
<b>P5</b>	<b>M120</b>	<b>E5SR</b>			
P5 = 5" Airtight IC Rated Housing	M120 = 120V Medium Base Socket	E5SR = 5" Regressed Lensed Showerlight	<b>Standard</b> C=Clear H=Haze G=Gold WMH=Warm Haze W=Gloss White MW= Matte White B= Black <b>Custom</b> K=Cognac KH=Cognac Haze CC=Chocolate	<b>Custom Cont.</b> CCH=Chocolate Haze BU=Blush BUH=Blush Haze GP=Graphite GPH=Graphite Haze PN=Pine PNH=Pine Haze SK=Sky SKH=Sky Haze	Blank= Matte White die-cast SF= Self Flange RAW= Natural Die-cast SFWF= Self Flange Painted White MBCLP = 40 Push On T Bar Clips (for 10 Units) PLE5 = Plaster Lip Extension for Max 2" Thick Ceiling

