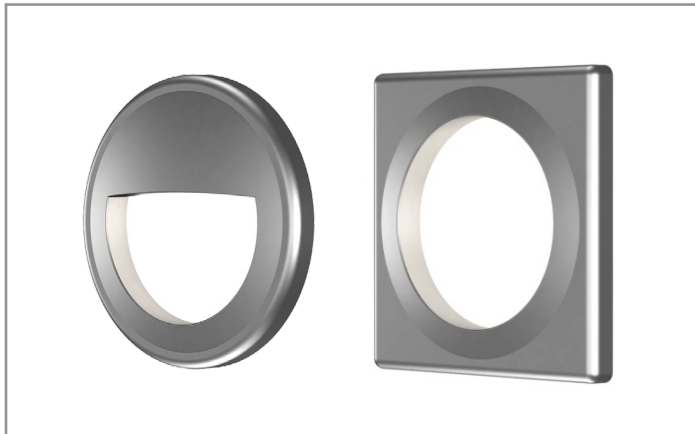


Project		Catalog #		Type	
Prepared by		Notes		Date	



Lumière

Rio 1237

LED Step Light

Typical Applications

- Hospitality • Commerical Landscape • Outdoor Area/Site • Residential
- Architectural

Interactive Menu

- Order Information page 2
- Product Specifications page 2
- Rio 1237 additional trim style page 3
- Optical Distributions page 3
- Mounting page 4

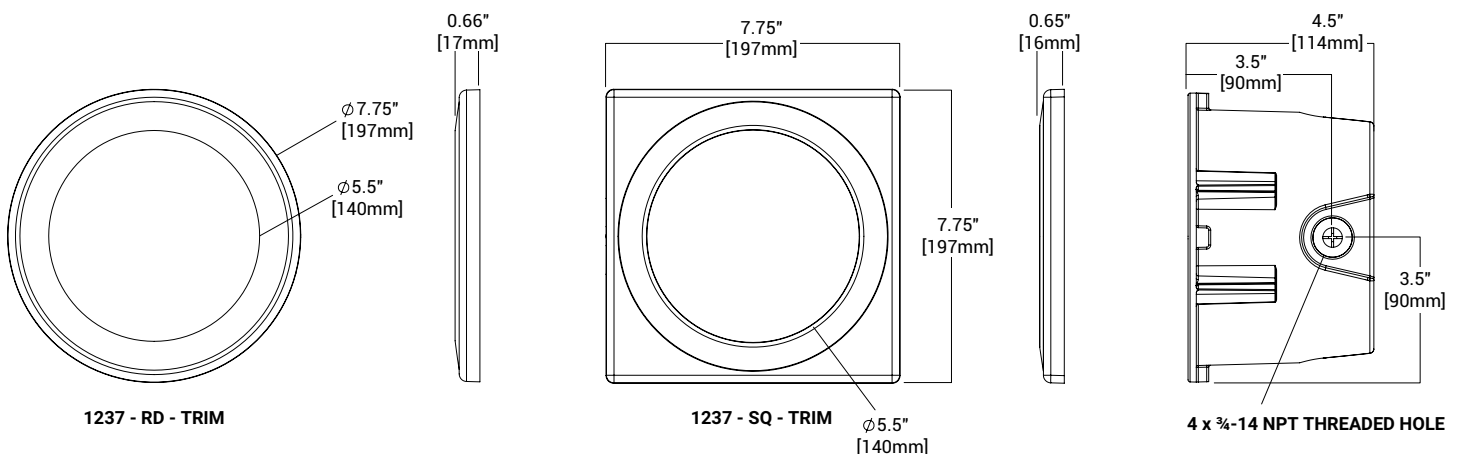
Product Certification



Top Product Features

- IP68 rated against water and debris entry
- Die-cast aluminum back housing
- 8 aluminum fascia options with 20° of alignment adjustment
- Factory assembled power tray
- 120-277 volt input into housing

Dimensions



Note: Specifications and Dimensions subject to change without notice. Consult your representative for additional options and finishes.

Order Information

SAMPLE ORDER NUMBER:

Domestic Preferences	Series	Wall Type	Source	Voltage	Finish	Options
Domestic Preferences ¹	Series	Wall Type	Source	Voltage	Finish ²	Options
[Blank] =Standard BAA =Buy American Act	Round 1237-RD =7" round, open fascia w/diffused lens 1237C-RD =7" round, cross/guard fascia w/ diffused lens 1237E-RD =7" round, eyelid fascia w/ diffused lens 1237L-RD =7" round, louvered fascia w/ clear lens Square 1237-SQ =7" square, open fascia w/diffused lens 1237C-SQ =7" square, cross/guard fascia w/ diffused lens 1237E-SQ =7" square, eyelid fascia w/clear, diffused lens 1237L-SQ =7" square, louvered fascia w/clear lens	C =Concrete Pour D =Drywall M =Masonry	12LEDG2 =12W LED Gen 2	UNV/12 =Universal (120-277V)	Painted BK =Black BZ =Bronze CS =City Silver VE =Verde WT =White	LBB =Housing Shipped in Advance (select LBB option and select appropriate recessed housing separately) 1237-BB-C =7" back box and pour cover for concrete pour wall 1237-BB-D =7" back box and pour cover for drywall/frame construction wall 1237-BB-M =7" back box and pour cover for masonry wall
Notes (1) Only product configurations with this designated prefix are built to be compliant with the Buy American Act of 1933 (BAA). Please see the Compliance section in Product Specifications for more detail.	Notes	Notes	Notes	Notes	Notes (2) Consult factory for premium/natural metals material finish.	Notes

Product Specifications

Material

- Back box is die-cast aluminum and painted white
- 8 decorative aluminum fascia options available
- Consult factory regarding natural metal fascia options. Minimum order quantity of 5 and extended lead times may apply

Finish

- Back box and fascia are double protected by a chromate conversion undercoating and polyester powder-coat paint finish
- Machined, natural finish brass or stainless steel fascia is unpainted to reveal the natural beauty of the material. Brass will patina naturally over time in outdoor environments

Electrical

- Fixture includes a factory assembled Powertray which carries the LED and driver and plugs directly into the back box
- 3000K / 80 CRI output
- 120-277 volt input
- Compatible with TRIAC, ELV, and 0-10V dimming

Mounting

- Recessed housing is available to ship in advance for rough-in purposes using the -LBB fixture option and order the required housing configuration separately
- Fascia mounts with +/- 10° of adjustment to ensure proper alignment
- 3 fixture mounting accommodations are offered:
1237-BB-C: back box and pour cover for concrete pour wall
1237-BB-D: back box and pour cover for drywall/frame construction wall
1237-BB-M: back box and pour cover for masonry wall

Recessed Housing

- Four 3/4" NPT conduit power entry ports
- Concrete pour cover included with applicable configurations
- Molded-in arrow indicates upward orientation
- Internal bubble levels assist in proper orientation

Compliance

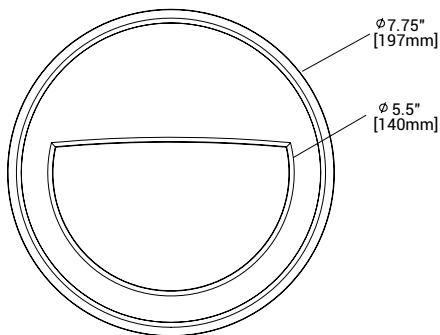
- UL and cUL listed for wet locations
- ADA compliant
- IP68 rated
- Also suitable for indoor recessed wall-mount applications, 4W LED source is IC-rated for direct insulation contact
- Manufactured to ISO 9001-2000 Quality Systems Standard
- Domestic preference option available to meet BAA requirements
- Please refer to [DOMESTIC PREFERENCES](#) website for more information. Components shipped separately may be separately analyzed under domestic preference requirement

Warranty

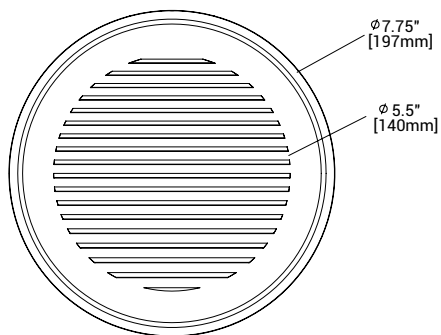
- Lumière warrants its fixtures against defects in materials & workmanship for five (5) years. Auxiliary equipment such as transformers, ballasts and lamps carry the original manufacturer's warranty

Additional Trim Styles

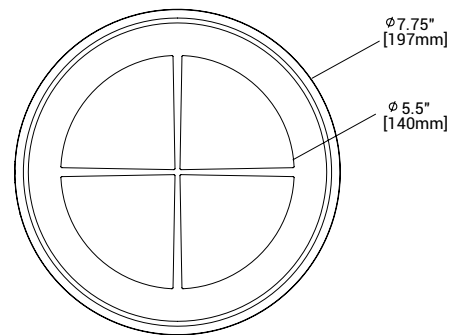
RD=Round



1237E - RD - TRIM

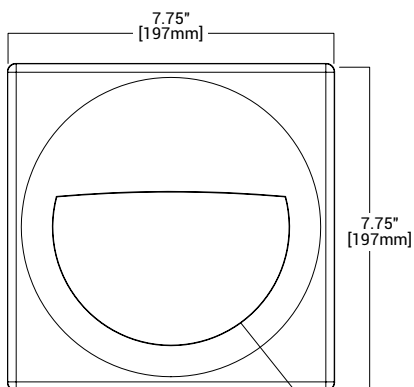


1237L - RD - TRIM

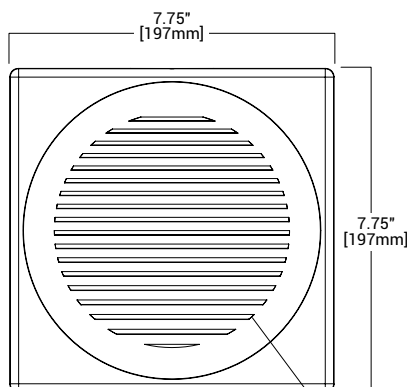


1237C - RD - TRIM

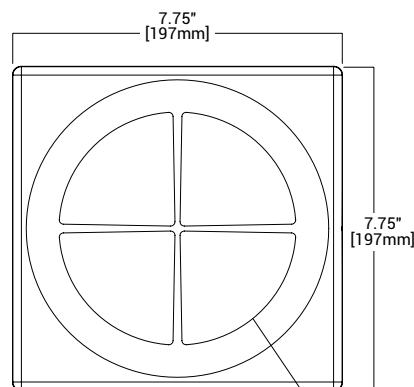
SQ=Square



1237E - SQ - TRIM



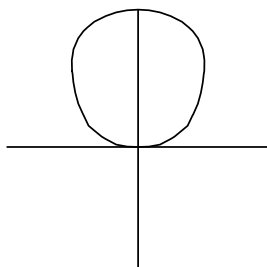
1237L - SQ - TRIM



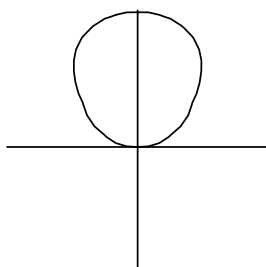
1237C - SQ - TRIM

Optical Distributions

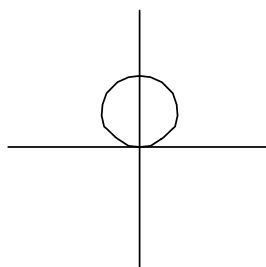
1237



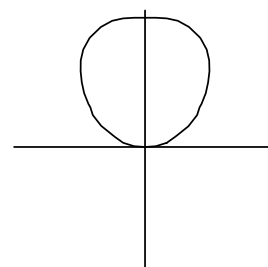
1237E



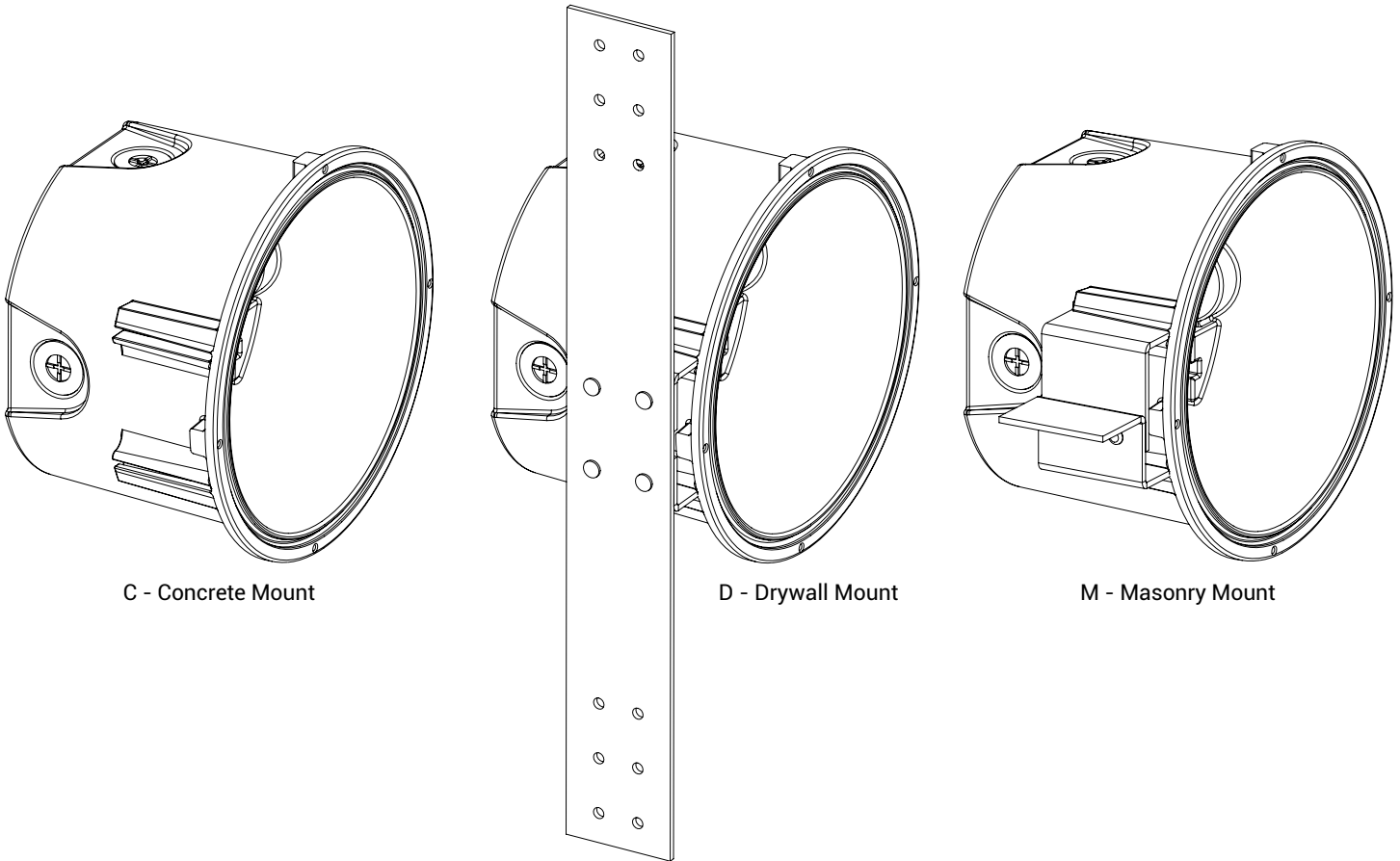
1237L



1237C



Mounting

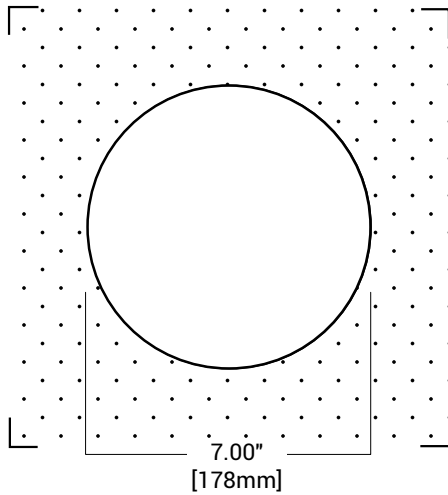


C - Concrete Mount

D - Drywall Mount

M - Masonry Mount

Wall Rough-In Opening



7.00"
[178mm]