

Project		Catalog #		Type	
Prepared by		Notes		Date	



# Fifth Light

## OCS-D-P06 / OCS-D-P12

Occupancy Ceiling Sensor (Multi Sensor)

### Typical Applications

Office • Education • Healthcare • Hospitality • Retail

### Interactive Menu

- Ordering Information [page 2](#)
- Additional Resources [page 3](#)
- Product Warranty

### Product Certification



### Product Features

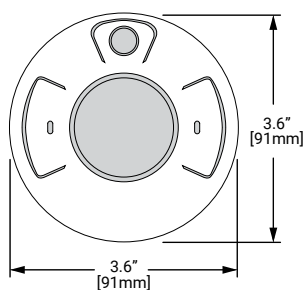


### Top Product Features

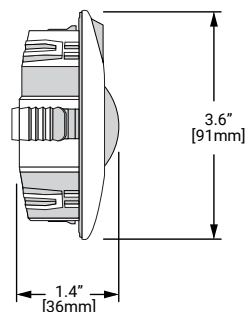
- Daylight sensing and occupancy detection in a single device
- All device settings programmable through software
- Ultra low profile and small diameter
- Eliminates the need for external power packs
- Shares sensor data with third-party automation systems

### Dimensional Details

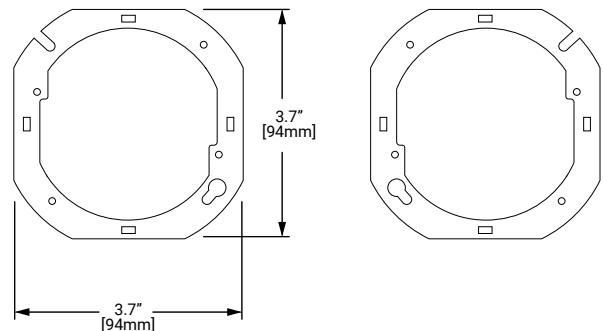
Top View



Side View



Junction Box Mounting Plate



• The Multi-Sensor is designed to be installed into ceiling tile or onto a junction box.

[additional product diagrams](#)

Order Information

Catalog Number

Catalog Number	Description
OCS-D-P06	600 sq. ft. Multi-Sensor for daylighting and occupancy
OCS-D-P12	1200 sq. ft. Multi-Sensor for daylighting and occupancy

Product Specifications

Key Features

- Daylight sensing and occupancy detection technologies combined into a single device
- All device settings (timers, sensitivity and groups) programmable through software, no physical adjustments needed
- Ultra low profile and small diameter provides an aesthetically pleasing design
- Powered by the Fifth Light two-wire communication bus

Mechanical

**Coverage:** 600 or 1200 sq. ft. at 8' ceiling height  
**Occupancy Detection Technology:** Passive Infrared (PIR)  
**Lens Type:** Multi-level Fresnel 360°  
**Daylight Sensing Range:** 0 to 400 lux  
**Daylight Sensing Coverage:** Light input within 60° cone  
**Mounting:** 4" octagon junction box or 3" hole in ceiling tile  
**Operating Environment:** 32°F to 104°F (0°C to 40°C) - For indoor use only  
**Dimensions:** 3.6"H x 3.6"W x 1.4"D (91mm x 91mm x 36mm)

Electrical

**Status Indicator:** 2 LEDs: Blue (occupancy), Red (power)  
**Input Voltage:** 9.5 - 22.5 VDC supplied by communication bus  
**Wiring:** 18 AWG stranded PTFE plenum rated

Control Specification:

- **Communication Interface:** Two wire communication bus
- **Current Draw:** 3.75mA

**Standards:** Manufactured in an ISO 9001 certified factory

Standards/Ratings

- Class 2 Input
- FCC Part 15/ECES-003
- Manufactured in an ISO 9001 certified factory
- Meets ASHRAE Standard 90.1 requirements
- Meets IECC 2015 requirements
- Meets CEC Title 24 requirements

Product Safety:

- IEC 60950-1
- UL 60950-1
- EN 60950-1
- CAN/CSA-C22.2 No. 60950-1

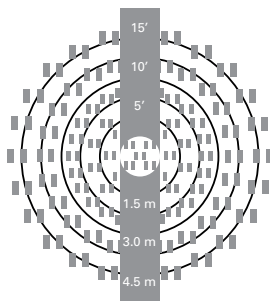
Environmental Regulations:

- RoHS Directive 2011/65/EU
- WEEE Directive 2012/19/EU

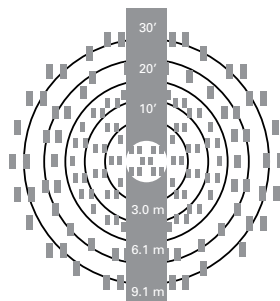
Warranty

Five year warranty standard

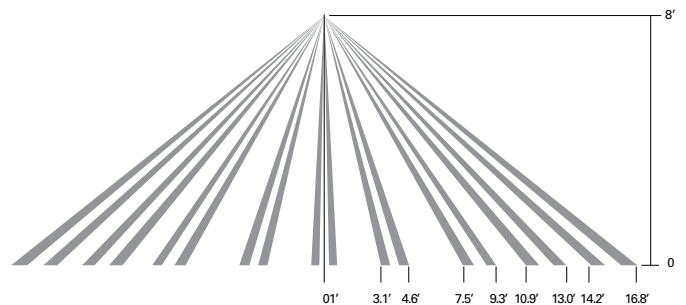
Coverage



Coverage Area  
600 sq. ft.



Coverage Area  
1,200 sq. ft.



Overview

Cooper Lighting Solutions' Multi-Sensor combines daylight sensing and occupancy detection into a single device. The Multi-Sensor communicates over the Fifth Light two-wire communication bus and allows for all device settings and groups to be adjusted remotely.

## System Architecture

This diagram illustrates the main components of the Fifth Light system. The DALI wallstations, DALI multi-sensors, DALI field relay, DALI dimming module, DALI DAC and DALI dimmable drivers/ballasts communicate with the Lighting Control Panel over the DALI bus while the touchscreen communicates with the Central Manager via ethernet.

Complete Fifth Light system

