

## DESCRIPTION

The Paralux III Series features recessed aesthetics and the latest in energy efficient technology. The luminaire incorporates a nominal 3" deep precision cell louver into a 4-3/4" deep para-contoured fixture housing. This combination creates a total high performance parabolic optical assembly for optimum performance. The series is compatible with all of today's popular ceiling systems and is available with a number of options and accessories for application versatility.

2EP3-IC is rated for installations when the housing is in direct contact with insulation. The high performance luminaire is designed to offer maximum efficiency and performance for today's unique interior specifications.

## SPECIFICATION FEATURES

### Construction

4-3/4" deep, para-contoured housing, die formed of code gauge, prime cold rolled steel. Die embossed housing has full length die formed stiffeners for added strength. Contoured ballast/wireway cover is easily removed without tools. Die formed captive lampholder bracket fully encloses lampholder wiring permitting easy lampholder replacement. Heavy end plates are securely attached with interlocking tabs and screws. Four auxiliary fixture end suspension points provided. KOs for continuous row wiring. End plates have labor saving integral Grid-Lock feature for safety and convenience.

### Electrical\*\*

Ballasts are CBM/ETL Class "P" and are positively secured by mounting bolts. Pressure lock lampholders. UL/CUL listed for Type IC Recessed Luminaire (Rated for direct contact with insulation). Suitable for damp locations.

### Finish

Lighting grade, baked white enamel finish. Multistage, iron phosphate pretreatment ensures maximum bonding and rust inhibition.

### Hinging/Latching

Positive spring loaded, self locking, steel latches. Safety lock T-hinges allow hinging and latching from either side.

<b>Catalog #</b>		<b>Type</b>	
<b>Project</b>		<b>Date</b>	
<b>Comments</b>			
<b>Prepared by</b>			

### Louver

Die formed of low iridescent, vertical grain anodized aluminum. Finish is Anodic oxide coating. Accurate precision parabolic cells are held in place with interlocking feature. True-cut mitered corners. Black reveal with integral mechanical light seal around entire perimeter of louver. Louver protected from construction contaminants by polyethylene cover.

### Compliance

Options to meet Buy American Act requirements.



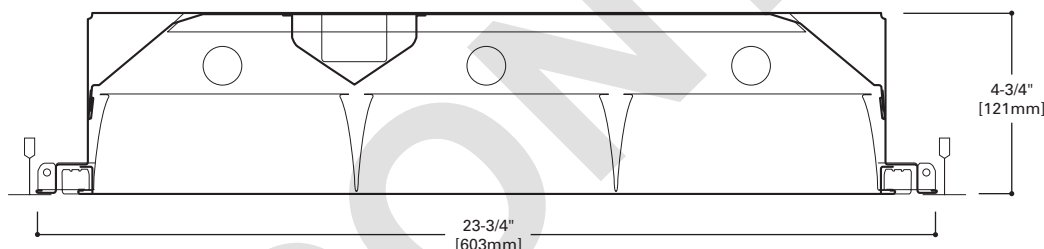
**2EP3GAX-IC**  
328T8  
332

18, 24 Cell

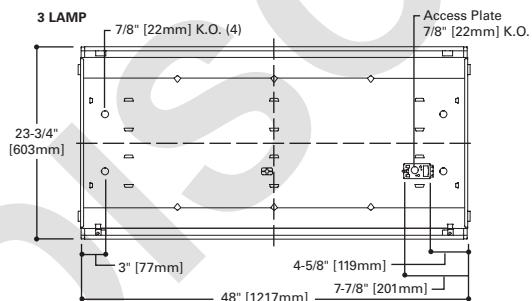
2' X 4' PARABOLIC  
3 T8 LAMPS  
SEMI-SPECULAR,  
SPECULAR OR WHITE  
PAINTED LOUVER

Paralux III  
Recessed Static or  
Air Supply Troffer

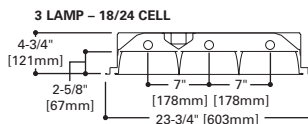
For Use in  
Insulated Ceilings



## MOUNTING DATA



## LAMP CONFIGURATIONS



## ENERGY DATA

Input Watts:  
**EB Ballast & STD Lamps**  
328T8 (67)  
232 (81)

Luminaire Efficacy Rating  
**LER=FP-77**  
Catalog Number: 2EP3GAX-IC-332S361

Yearly Cost of 1000 lumens,  
3000 hrs at .08 KWH = \$3.11

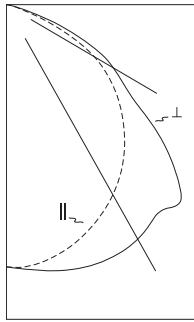
\*\*Reference the lamp/ballast data in the Technical Section for specific lamp/ballast requirements

## CEILING COMPATIBILITY

G	G	G	F	MZ	Ceiling Type	Trim Type
Grid/Lay-in Standard	Concealed T	Slot Grid	Aluminum Flange Trim With Supporting Swing Gates	Modular Trim With Supporting Swing Gates	Exposed Grid	G
					Concealed T	G
					Slot Grid	G
					Flange	F
					Concealed "T" or "Z"	MZ
					Metal Pan	MZ
					(Verify compatibility/consult factory.)	

**LINEAR DISCONNECT**

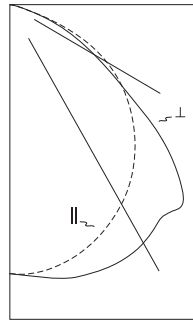
Designed to provide safe and convenient means of disconnecting power



**2EP3GX-IC-332S38I**  
 Electronic Ballast  
 F32T8/35K Lamps  
 3100 Lumens  
 Spacing criterion:  
 (H) 1.2 x mounting  
 height, (L) 1.5 x  
 mounting height  
 Efficiency 66.3%  
 Test Report:  
 2EP3-IC-332S38I.IES  
 LER = FP-74  
 Yearly Cost of 1000  
 lumens, 3000 hrs at  
 .08 KWH = \$3.24

**Candlepower**

Angle	Along H	45°	Across L
0	2238	2238	2238
5	2239	2252	2270
10	2198	2250	2306
15	2135	2227	2333
20	2051	2185	2343
25	1955	2123	2329
30	1845	2041	2287
35	1719	1941	2211
40	1574	1817	2246
45	1414	1689	2060
50	1248	1536	1678
55	1064	1220	1258
60	846	818	1043
65	546	506	756
70	250	255	421
75	101	106	143
80	47	48	54
85	16	16	16
90	0	0	0



**2EP3GX-IC-332S36I-EB82**  
 Electronic Ballast  
 F32T8/35K Lamps  
 3100 Lumens  
 Spacing criterion:  
 (H) 1.3 x mounting  
 height, (L) 1.5 x  
 mounting height  
 Efficiency 69.1%  
 Test Report:  
 2EP3-IC-332S36I  
 LER = FP-77  
 Yearly Cost of 1000  
 lumens, 3000 hrs at  
 .08 KWH = \$3.11

**Candlepower**

Angle	Along H	45°	Across L
0	2243	2243	2243
5	2246	2258	2275
10	2213	2263	2311
15	2160	2248	2340
20	2084	2215	2354
25	1992	2163	2342
30	1884	2089	2303
35	1762	1998	2231
40	1619	1880	2268
45	1463	1759	2080
50	1298	1619	1670
55	1120	1310	1244
60	921	891	1052
65	673	583	771
70	373	339	432
75	128	132	148
80	54	54	55
85	19	18	15
90	0	0	0

**Coefficients of Utilization**

rc	Effective floor cavity reflectance																	
	80%			70%			50%			30%			10%			0%		
rw	70	50	30	70	50	30	50	30	10	50	30	10	50	30	10	0		
RCR	0	79	79	79	77	77	77	74	74	74	71	71	71	68	68	68	66	
	1	73	70	68	66	71	69	67	65	66	64	63	64	62	61	61	59	58
	2	67	62	58	55	66	61	57	54	59	56	53	57	54	52	55	53	49
	3	62	55	50	46	60	54	50	46	52	48	45	50	47	44	49	46	44
	4	57	49	44	39	55	48	43	39	47	42	39	45	41	38	44	40	38
	5	52	44	38	34	51	43	38	34	42	37	34	41	36	33	39	36	33
	6	48	40	34	30	47	39	34	30	38	33	29	37	32	29	36	32	28
	7	45	36	30	26	43	35	30	26	34	30	26	33	29	26	33	29	26
	8	41	33	27	23	40	32	27	23	31	27	23	31	26	23	30	26	23
	9	39	30	25	21	38	30	25	21	29	24	21	28	24	21	27	24	21
	10	36	28	22	19	35	27	22	19	27	22	19	26	22	19	25	22	19

**Coefficients of Utilization**

rc	Effective floor cavity reflectance																	
	80%			70%			50%			30%			10%			0%		
rw	70	50	30	70	50	30	50	30	10	50	30	10	50	30	10	0		
RCR	0	82	82	82	80	80	80	77	77	77	74	74	74	71	71	71	69	
	1	76	73	71	68	74	72	69	67	69	67	65	66	65	63	64	62	61
	2	70	65	60	57	68	63	59	56	61	58	55	59	56	53	57	54	52
	3	64	57	52	48	62	56	51	47	54	50	46	52	49	46	50	47	45
	4	59	51	45	41	57	50	44	40	48	43	40	46	42	39	45	42	39
	5	54	45	39	35	52	45	39	35	43	38	34	42	37	34	41	37	34
	6	50	41	35	31	48	40	34	30	39	34	30	38	33	30	37	33	30
	7	46	37	31	27	45	36	31	27	35	30	27	34	30	26	33	29	26
	8	43	34	28	24	42	33	28	24	32	27	24	31	27	24	31	27	23
	9	40	31	25	21	39	30	25	21	30	25	21	29	24	21	28	24	21
	10	37	28	23	19	37	28	23	19	27	23	19	27	22	19	26	22	19

**Zonal Lumen Summary**

Zone	Lumens	%Lamp	%Fixture
0-30	1830	19.7	29.7
0-40	3053	32.8	49.5
0-60	5433	58.4	88.1
0-90	6167	66.3	100.0
0-180	6167	66.3	100.0

**Typical VCP Percentages**

Room Size (Ft.)	Height Along		Height Across	
	8.5'	10.0'	8.5'	10.0'
20 x 20	69	68	65	64
30 x 30	74	71	70	67
30 x 60	76	73	73	71
60 x 30	79	76	76	72
60 x 60	80	76	77	74

**Zonal Lumen Summary**

Zone	Lumens	%Lamp	%Fixture
0-30	1850	19.9	28.8
0-40	3102	33.4	48.3
0-60	5569	59.9	86.6
0-90	6428	69.1	100.0
0-180	6428	69.1	100.0

**Typical VCP Percentages**

Room Size (Ft.)	Height Along		Height Across	
	8.5'	10.0'	8.5'	10.0'
20 x 20	69	68	65	64
30 x 30	74	71	70	67
30 x 60	76	73	73	71
60 x 30	79	76	76	72
60 x 60	80	76	77	74

**ORDERING INFORMATION**

SAMPLE NUMBER: 2EP3GAX-IC-332S36I-120V-EB81-U

<p><b>Domestic Preferences</b> <sup>(11)</sup>                  [Blank]=Standard                  BAA=Buy American Act</p>	<p><b>Number of Lamps</b>                  3=3 Lamps <sup>(13)</sup></p>	<p><b>Voltage</b> <sup>(4)</sup>                  120V=120 Volt                  277V=277 Volt                  347V=347 Volt                  UNV=Universal Voltage 120-277 <sup>(5)</sup></p>	<p><b>Ballast Type</b>                  EB8 =T8 Electronic Start.                  Total Harmonic Distortion &lt; 10%                  No. of Ballast                  1, 2 or 3                  EB8 /PLUS= T8 Electronic Start.                  Total Harmonic Distortion &lt; 10%                  High Ballast Factor &gt;1.15                  No. of Ballast                  1, 2 or 3                  ER8 =T8 Electronic Program Rapid Start.                  Total Harmonic Distortion &lt; 10%                  No. of Ballast                  1, 2 or 3</p>	<p><b>Options</b>                  GL=Single Element Fuse                  GM=Double Element Fuse                  WTR=White Reveal                  Flex=Flex Installed (Reference Flex ordering information)                  EL=Emergency Installed <sup>(6), (10)</sup></p>	<p><b>Options</b>                  PAF=Painted After Fabrication                  REP=Riveted Endplates                  PAL=Job Pack, out of carton                  PALC=Job Pack, in carton</p>	
<p><b>Rating</b>                  Blank=Standard                  ATW-SW4=Chicago Rated</p>	<p><b>Wattage (Length)</b>                  28T8=28W T8 (48")                  32=32W T8 (48")</p>	<p><b>Options</b>                  S=Silver                  W=White</p>	<p><b>High Performance T8 Ballasts</b>                  HB8 =T8 Electronic Instant Start. Total Harmonic Distortion &lt; 10%. Standard Ballast Factor .86 - .88                  HB8_L=T8 Electronic Instant Start. Total Harmonic Distortion &lt; 10%. Low Ballast Factor .77 - .82                  HB8_N=T8 Electronic Instant Start. Total Harmonic Distortion &lt; 10%. Normal Ballast Factor 1.0                  HB8_H=T8 Electronic Instant Start. Total Harmonic Distortion &lt; 10%. High Ballast Factor 1.15 - 1.20                  HR8_T8 Electronic Program Rapid Start. Total Harmonic Distortion &lt; 10%. Standard Ballast Factor .86 - .88                  HR8_DIM=T8 Electronic Program Rapid Start. Total Harmonic Distortion &lt; 10%. Step Dimming. Ballast Factor .88                  HR8_L=T8 Electronic Program Rapid Start. Total Harmonic Distortion &lt; 10%. Low Ballast Factor .71 - .79                  HR8_H=T8 Electronic Program Rapid Start. Total Harmonic Distortion &lt; 10%. High Ballast Factor 1.15 - 1.20</p>	<p><b>Cell Configuration</b>                  36=3 Rows of 6, 18 Cell                  38=3 Rows of 8, 24 Cell</p>	<p><b>Packaging</b>                  U=Unit Pack                  PAL=Job Pack, out of carton                  PALC=Job Pack, in carton</p>	
<p><b>HR=Heat Removal</b> <sup>(1)</sup>                  2=2" Width</p>	<p><b>Louver Color</b>                  S=Silver                  W=White</p>	<p><b>Options</b>                  I=Semi-Specular/Haze (Low Iridescent)                  Standard (Silver Only)                  P=Painted (White only)</p>	<p><b>ACCESSORIES</b> <sup>(12)</sup>                  EQ-CLIP-U=T-BAR Safety Earthquake Clips <sup>(2)</sup></p>	<p><b>Option - Aluminum Flange Trim</b> <sup>(8)</sup>                  Blank=SW (Single White)                  Type Color                  'S' Single 'N' Natural                  'R' In Row 'W' White                  'E' End of Row</p>	<p><b>Trim Type</b>                  G=Grid/Lay-in (Standard)                  G=Concealed T/Slot Grid <sup>(7)</sup>                  F=Aluminum Flange Trim <sup>(8)</sup>                  MZ=Modular Trim</p>	<p><b>SHIPPING DATA</b></p>
<p><b>EP=Paralux Louver</b>                  3=3" Louver Depth</p>	<p><b>Louver Finish</b>                  I=Semi-Specular/Haze (Low Iridescent)                  Standard (Silver Only)                  P=Painted (White only)</p>	<p><b>Option - Aluminum Flange Trim</b> <sup>(8)</sup>                  Blank=SW (Single White)                  Type Color                  'S' Single 'N' Natural                  'R' In Row 'W' White                  'E' End of Row</p>	<p><b>Catalog No.</b></p>	<p><b>Weight</b></p>	<p><b>Notes:</b> <sup>(1)</sup> Integral end plate grid lock feature not available in heat removal. <sup>(2)</sup> An EQ Grid Clip is recommended for all 9/16" ceiling systems. Four required per fixture. <sup>(3)</sup> Standard off-center ballast on 3-lamp fixtures. <sup>(4)</sup> Products also available in non-US voltages and frequencies for international markets. <sup>(5)</sup> Not available when specifying emergencies, voltage must be specific. <sup>(6)</sup> Fixtures equipped with "EL" option have 5-1/2" housing depth. <sup>(7)</sup> Louver is recessed by 5/16" in Concealed T or Slot Grid T. <sup>(8)</sup> Specify row configuration, type in catalog number when ordering complete fixture. <sup>(9)</sup> 32W lamps are 90 CRI only. <sup>(10)</sup> Please specify required voltage, 120V or 277V. <sup>(11)</sup> Only product configurations with this designated prefix are built to be compliant with the Buy American Act of 1933 (BAA). Please refer to <a href="#">DOMESTIC PREFERENCES</a> website for more information. Components shipped separately may be separately analyzed under domestic preference requirements. <sup>(12)</sup> Accessories sold separately will be separately analyzed under domestic preference requirements. Consult factory for further information.</p>	<p><b>2EP3GAX-IC-332S36I</b> 42 lbs.  <b>2EP3GAX-IC-328T8S36I</b> 42 lbs.  <b>2EP3GAX-IC-332S38I</b> 42 lbs.  <b>2EP3GAX-IC-328T8S38I</b> 42 lbs.</p>

NOTES: <sup>(1)</sup> Integral end plate grid lock feature not available in heat removal. <sup>(2)</sup> An EQ Grid Clip is recommended for all 9/16" ceiling systems. Four required per fixture. <sup>(3)</sup> Standard off-center ballast on 3-lamp fixtures. <sup>(4)</sup> Products also available in non-US voltages and frequencies for international markets. <sup>(5)</sup> Not available when specifying emergencies, voltage must be specific. <sup>(6)</sup> Fixtures equipped with "EL" option have 5-1/2" housing depth. <sup>(7)</sup> Louver is recessed by 5/16" in Concealed T or Slot Grid T. <sup>(8)</sup> Specify row configuration, type in catalog number when ordering complete fixture. <sup>(9)</sup> 32W lamps are 90 CRI only. <sup>(10)</sup> Please specify required voltage, 120V or 277V. <sup>(11)</sup> Only product configurations with this designated prefix are built to be compliant with the Buy American Act of 1933 (BAA). Please refer to [DOMESTIC PREFERENCES](#) website for more information. Components shipped separately may be separately analyzed under domestic preference requirements. <sup>(12)</sup> Accessories sold separately will be separately analyzed under domestic preference requirements. Consult factory for further information.

Specifications & dimensions subject to change without notice. Consult your Cooper Lighting Solutions Representative for availability and ordering information.