

DESCRIPTION

The Paralux III Hard Metric Series is designed for use in new hard metric (600mm x 1200mm) ceiling grids only. May not be used with 2' x 4' grids. Lamp is longer than ceiling grid and overhangs at one end. Row mounting more than two fixture per row cannot be done. Features recessed aesthetics and the latest in energy efficient technology. The luminaire incorporates a true 3" deep precision cell louver into a deep para-contoured fixture housing. This combination creates a total high performance parabolic optical assembly for optimum performance. interior specifications. The Paralux III series is an excellent choice for commercial office spaces, schools, hospitals or retail merchandising areas.

SPECIFICATION FEATURES

Construction

Deep, para-contoured housing, die formed of code gauge, prime cold rolled steel. Die embossed housing has full length die formed stiffeners for added strength. Contoured ballast/wireway cover is easily removed without tools. Die formed captive lampholder bracket fully encloses lampholder wiring permitting easy lampholder replacement. Heavy end plates are securely attached with interlocking tabs and screws. Four auxiliary fixture end suspension points provided. KO's for continuous row wiring. Housing features enable fixture to be converted from Grid to T-option or vice versa in the field.*

Electrical**

Ballast are CBM/ETL Class "P" and are positively secured by mounting bolts. Pressure lock lampholders. UL/CUL listed. Suitable for damp locations.

Finish

Lighting grade, baked white enamel finish. Multistage, iron phosphate pretreatment ensures maximum bonding and rust inhibition.

Hinging/Latching

Positive cam action spring loaded, self locking, black steel latches. Safety lock T-hinges allow hinging and latching either side.

Catalog #		Type	
Project		Date	
Comments			
Prepared by			

Louver

Die formed of low iridescent, vertical grain anodized aluminum. Finish is Anodic oxide coating. Accurate precision parabolic cells are held in place with interlocking feature. True-cut mitered corners. Black reveal with integral mechanical light seal around entire perimeter of louver. Louver protected from construction contaminants by polyethylene cover.

Compliance

Options to meet Buy American Act requirements.



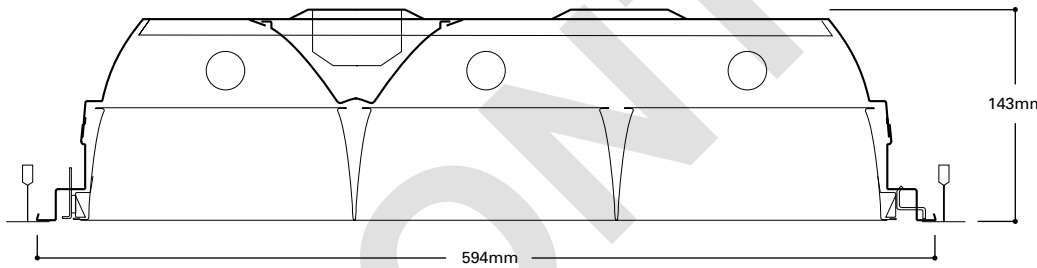
HM2EP3GAX
328T8
332

18 Cell

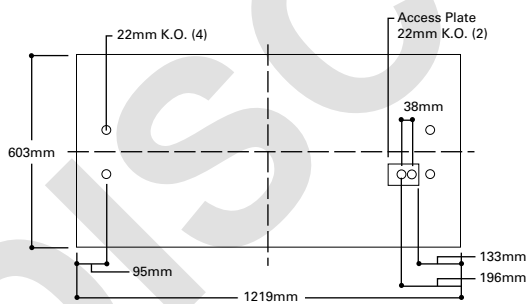
2' X 4' PARABOLIC
3 T8 LAMPS
SEMI-SPECULAR, SPECULAR
OR WHITE PAINTED LOUVER

Paralux III
Recessed Static or Air
Supply Troffer

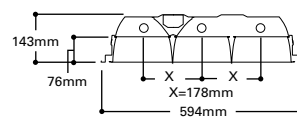
HARD METRIC



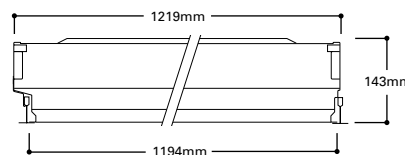
MOUNTING DATA



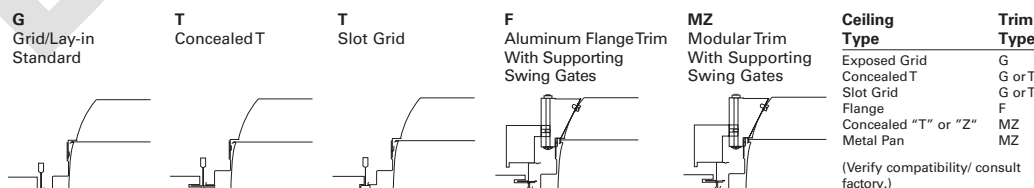
LAMP CONFIGURATIONS



SIDE VIEW



CEILING COMPATIBILITY



ENERGY DATA

Input Watts:
EB Ballast & STD Lamps
328T8 (67), 332 (81)

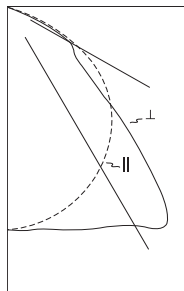
Luminaire Efficacy Rating
LER = FP-60
Catalog Number: HM2EP3GAX-
332S361
Yearly Cost of 1000 lumens,
3000 hrs at .08 KWH = \$4.00

*Convertible Fixture - Standard G (Grid)
Type-Fixtures can be field converted to
T-option or vice versa. Fixture also adaptable
with flange or modular trims.

**Reference the lamp/ballast data in the
Technical Section for specific lamp/ballast
requirements.

LINEAR DISCONNECT
Designed to provide safe and convenient
means of disconnecting power

PHOTOMETRICS



HM-2EP3GAX-332S361
 Electronic Ballast
 F32T8/35K Lamps
 2800 Lumens
 Spacing criterion: (||)
 1.2 x mounting height,
 (⊥) 1.6 x mounting
 height
 Efficiency 69.4%
 Test Report:
 2EP3GX332S361.IES
 LER = FP-60
 Yearly Cost of 1000
 lumens, 3000 hrs at .08
 KWH = \$4.00

Candela

Angle	Along	45°	Across ⊥
0	2312	2312	2312
5	2295	2306	2324
10	2251	2289	2347
15	2189	2274	2395
20	2108	2258	2451
25	2007	2235	2506
30	1891	2205	2636
35	1762	2173	2766
40	1617	2153	2259
45	1449	2001	1423
50	1257	1463	960
55	1043	885	807
60	782	571	666
65	443	326	243
70	142	106	79
75	45	38	35
80	18	16	15
85	6	5	4
90	0	0	0

Coefficients of Utilization

rc	Effective floor cavity reflectance																	
	80%			70%			50%			30%			10%			0%		
rw	70	50	30	70	50	30	50	30	10	50	30	10	50	30	10	0	0	0
RCR																		
0	83	83	83	81	81	81	77	77	77	74	74	74	71	71	71	69		
1	78	75	73	71	76	73	71	70	71	69	68	68	67	65	66	65	64	62
2	72	68	64	61	71	67	63	60	64	62	59	62	60	58	60	58	57	55
3	67	61	57	53	66	60	56	53	58	55	52	56	53	51	55	52	50	49
4	62	55	50	46	61	54	50	46	53	49	45	51	48	45	50	47	44	43
5	57	49	44	40	56	49	44	40	47	43	39	46	42	39	45	41	39	37
6	53	45	39	35	52	44	39	35	43	38	35	42	38	34	41	37	34	33
7	49	40	35	31	48	40	34	31	39	34	30	38	33	30	37	33	30	29
8	45	36	30	27	44	35	30	26	35	30	26	34	29	26	33	29	26	25
9	41	32	27	23	40	32	26	23	31	26	23	30	26	23	29	25	22	21
10	38	29	24	20	37	29	24	20	28	23	20	27	23	20	27	23	20	19

Zonal Lumen Summary

Zone	Lumens	%Lamp	%Fixture
0-30	1903	22.7	32.6
0-40	3285	39.1	56.3
0-60	5425	64.6	93.0
0-90	5834	69.4	100.0
0-180	5834	69.4	100.0

Typical VCP Percentages

Room Size (Ft.)	Height Along		Height Across	
	8.5'	10.0'	8.5'	10.0'
20 x 20	76	73	82	79
30 x 30	83	79	87	83
30 x 60	86	83	89	86
60 x 30	85	82	88	86
60 x 60	88	85	90	88

ADDITIONAL HARD METRIC SIZE CONFIGURATIONS

Catalog Description	Cells (Config.)	Nominal Size (in)	Nominal Size (mm)	Dimensional (mm) L	W	H
HM-EP3GAX-132, 232	6, (1 row x 6 cells)	1x4	300 x 1200	1194	294	168
HM-EP3GAX-132, 232	8, (1 row x 8 cells)	1x4	300 x 1200	1194	294	168
HM-EP3GAX-232	12, (2 rows x 6 cells)	1x4	300 x 1200	1194	294	168
HM-EP3GAX-232	16, (2 rows x 8 cells)	1x4	300 x 1200	1194	294	168
HM-2EP3GAX-2U6T8	6, (2 rows x 3 cells)	2x2	600 x 600	594	594	143
HM-2EP3GAX-2U6T8	9, (3 rows x 3 cells)	2x2	600 x 600	594	594	143
HM-2EP3GAX-2U6T8	16, (4 rows x 4 cells)	2x2	600 x 600	594	594	143
HM-2EP3GAX-3U3	9, (3 rows x 3 cells)	2x2	600 x 600	594	594	143
HM-2EP3GAX-3U3	12, (3 rows x 4 cells)	2x2	600 x 600	594	594	143
HM-2EP3GAX-3U3	16, (4 rows x 4 cells)	2x2	600 x 600	594	594	143
HM-2EP3GAX-2U1-5/8	16, (4 rows x 4 cells)	2x2	600 x 600	594	594	143
HM-2EP3GAX-3U1-5/8	9, (3 rows x 3 cells)	2x2	600 x 600	594	594	143
HM-2EP3GAX-2BX40	16, (4 rows x 4 cells)	2x2	600 x 600	594	594	143
HM-2EP3GAX-3BX40	9, (3 rows x 3 cells)	2x2	600 x 600	594	594	143
HM-2EP3GAX-232	12, (2 rows x 6 cells)	2x4	600 x 1200	1194	594	143
HM-2EP3GAX-232	16, (2 rows x 8 cells)	2x4	600 x 1200	1194	594	143
HM-2EP3GAX-332	18, (3 rows x 6 cells)	2x4	600 x 1200	1194	594	143
HM-2EP3GAX-332	24, (3 rows x 8 cells)	2x4	600 x 1200	1194	594	143
HM-2EP3GAX-432	24, (4 rows x 6 cells)	2x4	600 x 1200	1194	594	143
HM-2EP3GAX-432	32, (4 rows x 8 cells)	2x4	600 x 1200	1194	594	143
HM-EP3GAX2024-2U3	6, (2 rows x 3 cells)	20x24	500 x 600	594	494	143
HM-EP3GAX2024-2U3	9, (3 rows x 3 cells)	20x24	500 x 600	594	494	143
HM-EP3GAX2024-2U3	12, (3 rows x 4 cells)	20x24	500 x 600	594	494	143
HM-EP3GAX2048-232	12, (2 rows x 6 cells)	20x48	500 x 1200	594	1194	143
HM-EP3GAX2048-232	16, (2 rows x 8 cells)	20x48	500 x 1200	594	1194	143
HM-EP3GAX2048-332	18, (3 rows x 6 cells)	20x48	500 x 1200	594	1194	143
HM-EP3GAX2048-332	24, (3 rows x 8 cells)	20x48	500 x 1200	594	1194	143
HM-2EP3GAX-232 (2+2)	6, (2 rows x 3 cells)	2x4	600 x 1200	1194	594	143
HM-2EP3GAX-332 (2+2)	9, (3 rows x 3 cells)	2x4	600 x 1200	1194	594	143
HM-2EP3GAX-332 (2+2)	12, (3 rows x 4 cells)	2x4	600 x 1200	1194	594	143
HM-2EP3GAX-432 (2+2)	16, (4 rows x 4 cells)	2x4	600 x 1200	1194	594	143

¹ For complete individual product information refer to appropriate specification data sheet.
² Nominal size for reference only. Hard Metric and standard size fixtures are not interchangeable.
³ Additional configurations may be available. Consult factory for specific requirements.

ORDERING INFORMATION

SAMPLE NUMBER: HM2EP3GAX-332S361-UNV-EB81-U

<p>Domestic Preferences ⁽¹⁰⁾ [Blank]=Standard BAA=Buy American Act</p>	<p>Number of Lamps 3=3 Lamps ⁽⁷⁾</p>	<p>Voltage ⁽³⁾ 120V=120 Volt 277V=277 Volt 347V=347 Volt UNV=Universal Voltage 120-277 ⁽⁵⁾</p>	<p>Ballast Type EB8 =T8 Electronic Start. Total Harmonic Distortion < 10% No. of Ballast 1, 2 or 3 EB8 /PLUS =T8 Electronic Start. Total Harmonic Distortion < 10% High Ballast Factor >1.15 No. of Ballast 1, 2 or 3 ER8 =T8 Electronic Program Rapid Start. Total Harmonic Distortion < 10% No. of Ballast 1, 2 or 3</p>	<p>Options GL=Single Element Fuse GM=Double Element Fuse WTR=White Reveal Flex=Flex Installed (Reference Flex ordering information) EL=Emergency Installed ⁽⁹⁾</p>	<p>Options PAF=Painted After Fabrication REP=Riveted Endplates</p>
<p>Rating Blank=Standard ATW-SW4=Chicago Rated</p>	<p>Wattage (Length) 28T8=28W T8 (48") 32=32W T8 (48")</p>	<p>Options Blank=SW (Single White) Type Color 'S' Single 'N' Natural 'R' In Row 'W' White 'E' End of Row</p>	<p>High Performance T8 Ballasts HB8 =T8 Electronic Instant Start. Total Harmonic Distortion < 10%. Standard Ballast Factor .86 - .88 HB8_L=T8 Electronic Instant Start. Total Harmonic Distortion < 10%. Low Ballast Factor .77 - .82 HB8_N=T8 Electronic Instant Start. Total Harmonic Distortion < 10%. Normal Ballast Factor 1.0 HB8_H=T8 Electronic Instant Start. Total Harmonic Distortion < 10%. High Ballast Factor 1.15 - 1.20 HR8_T8 Electronic Program Rapid Start. Total Harmonic Distortion < 10%. Standard Ballast Factor .86 - .88 HR8_DIM=T8 Electronic Program Rapid Start. Total Harmonic Distortion < 10%. Step Dimming. Ballast Factor .88 HR8_L=T8 Electronic Program Rapid Start. Total Harmonic Distortion < 10%. Low Ballast Factor .71 - .79 HR8_H=T8 Electronic Program Rapid Start. Total Harmonic Distortion < 10%. High Ballast Factor 1.15 - 1.20</p>	<p>Packaging U=Unit Pack PAL=Job Pack, out of carton PALC=Job Pack, in carton</p>	
<p>Hard Metric HM=Hard Metric</p>	<p>Louver Color S=Silver W=White</p>	<p>Option - Aluminum Flange Trim ⁽⁶⁾ Blank=SW (Single White) Type Color 'S' Single 'N' Natural 'R' In Row 'W' White 'E' End of Row</p>	<p>Trim Type ⁽⁴⁾ G=Grid/Lay-in - Standard T=Concealed T/Slot Grid ⁽²⁾ F=Aluminum Flange Trim ⁽⁶⁾ MZ=Modular Trim</p>	<p>Notes: ⁽¹⁾ Integral end plate grid lock feature not available in heat removal. ⁽²⁾ An EQ Grid Clip is recommended for all 9/16" ceiling systems. Four required per fixture. ⁽³⁾ Products also available in non-US voltages and frequencies for international markets. ⁽⁴⁾ Convertibility applies to housing only, appropriate shielding media assemblies must be utilized. Fixture also adaptable with flanged or modular trims. ⁽⁵⁾ Not available when specifying emergencies, voltage must be specific. ⁽⁶⁾ Specify row configuration, type in catalog number when ordering complete fixture. ⁽⁷⁾ Standard off-center ballast on 3-lamp fixtures. ⁽⁸⁾ 32W lamps are 90 CRI only. ⁽⁹⁾ Please specify required voltage, 120V or 277V. ⁽¹⁰⁾ Only product configurations with this designated prefix are built to be compliant with the Buy American Act of 1933 (BAA). Please refer to DOMESTIC PREFERENCES website for more information. Components shipped separately may be separately analyzed under domestic preference requirements. ⁽¹¹⁾ Accessories sold separately will be separately analyzed under domestic preference requirements. Consult factory for further information.</p>	<p>Accessories ⁽¹¹⁾ EQ-CLIP-U=T-BAR Safety Earthquake Clips ⁽²⁾</p>
<p>Heat Removal ⁽¹⁾ HR=Heat Removal HRDO=Heat Removal Damper Open HRDC=Heat Removal Damper Closed</p>	<p>Cell Configuration 36=3 Rows of 6, 18 Cell (20x48)</p>	<p>Series EP3=Paralux III</p>	<p>Width 2=2' Width</p>	<p>Width 2=2' Width</p>	<p>Width 2=2' Width</p>
<p>Air Supply AX=Air Supply Floating Louver X=Blank Side/Floating Louver - Non-Air Supply AVX=Air Supply Floating Louver with Directional Air Vane</p>	<p>Air Supply AX=Air Supply Floating Louver X=Blank Side/Floating Louver - Non-Air Supply AVX=Air Supply Floating Louver with Directional Air Vane</p>	<p>Air Supply AX=Air Supply Floating Louver X=Blank Side/Floating Louver - Non-Air Supply AVX=Air Supply Floating Louver with Directional Air Vane</p>	<p>Air Supply AX=Air Supply Floating Louver X=Blank Side/Floating Louver - Non-Air Supply AVX=Air Supply Floating Louver with Directional Air Vane</p>	<p>Air Supply AX=Air Supply Floating Louver X=Blank Side/Floating Louver - Non-Air Supply AVX=Air Supply Floating Louver with Directional Air Vane</p>	<p>Air Supply AX=Air Supply Floating Louver X=Blank Side/Floating Louver - Non-Air Supply AVX=Air Supply Floating Louver with Directional Air Vane</p>

SHIPPING DATA

Catalog No. HM2EP3GAX-332S361 Wt. 42 lbs.



Cooper Lighting Solutions
 1121 Highway 74 South
 Peachtree City, GA 30269
 P: 770-486-4800
 www.cooperlighting.com

© 2023 Cooper Lighting Solutions
 All Rights Reserved.
 Specifications and dimensions
 subject to change without notice.