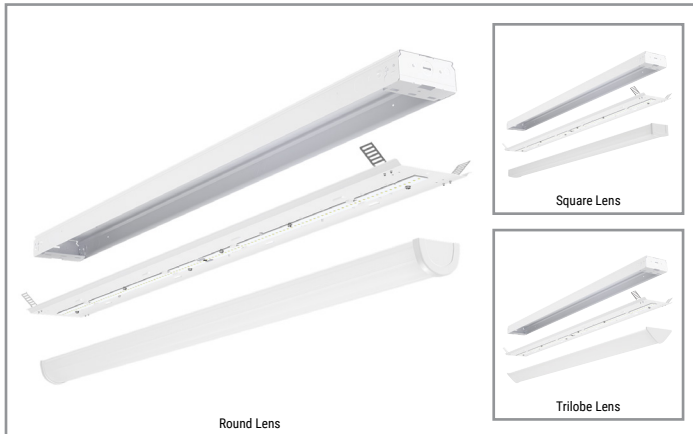


Project		Catalog #		Type	
Prepared by		Notes		Date	



Metalux

Surface Strip Retrofit Kit

Retrofit for Surface or Suspended Striplights from 2.5 – 4.5 inches wide

Typical Applications

Industrial • Manufacturing

Interactive Menu

- Order Information [page 2](#)
- Product Specifications [page 3](#)
- Product Warranty

Product Certification



Product Features

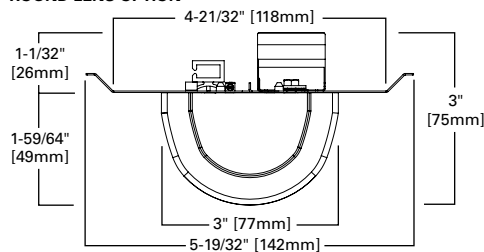


Top Product Features

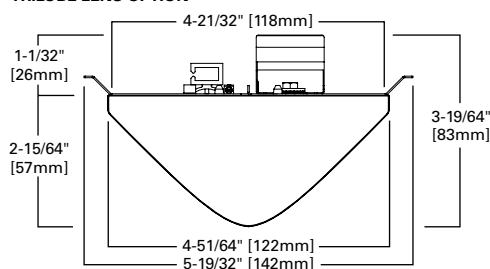
- 4' or 8' LED strip retrofit with up to 8000 lumens per 4ft segment
- Retrofits from 2.5 to 4.5 inch width fixtures
- Three lens options: round, square, & tri-lobe; multiple distributions
- High performance efficacy up to 159 lumens per watt
- Simple and quick installation = labor savings
- Options to meet Trade Agreements Act requirements

Two Optical Distributions Available for Trilobe Lens; Ribbed or Smooth

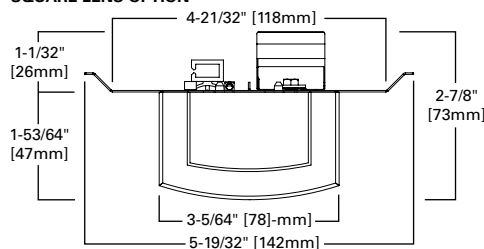
ROUND LENS OPTION



TRILOBE LENS OPTION



SQUARE LENS OPTION



[additional product diagrams](#)

Order Information

SAMPLE NUMBER: **4-SSRK-40-L840-U**

Domestic Preferences ⁽¹⁾	Length ⁽²⁾	Series ⁽³⁾	Voltage	Emergency Options	Lumen Package
[Blank] =Standard TAA =Trade Agreements Act	4 =4' 8 =8'	SSRK =Surface Strip Retrofit Kit	[Blank] =Universal Voltage (120-277) 347 =347 Volt ⁽⁴⁾	[Blank] =None EL7W =7-watt, 120V-277V emergency battery pack installed EL14W =14-watt 120V-277V emergency battery pack installed ETRD =Emergency Transfer Relay with dimming control	4' (Approx@80 CRI 3500K) 20 =2000 lumens / 4 ft. 30 =3000 lumens / 4 ft. 40 =4000 lumens / 4 ft. 60 =6000 lumens / 4 ft. 80 =8000 lumens / 4 ft. 8' (Approx@80 CRI 3500K) 40 =4000 lumens / 8 ft. 60 =6000 lumens / 8 ft. 80 =8000 lumens / 8 ft. 120 =12000 lumens / 8 ft.
Notes (1) Only product configurations with this designated prefix are built to be compliant with the Trade Agreements Act of 1979 (TAA). Please refer to DOMESTIC PREFERENCES website for more information. Components shipped separately may be separately analyzed under domestic preference requirements.	Notes (2) 8' fixtures wired with two 4' gear trays as a master satellite.	Notes (3) DesignLights Consortium® Qualified and classified for both DLC Standard and DLC Premium, refer to www.designlights.org for details.	Notes (4) 347 volt option not available with sensor or EBP or ETRD.		

CRI/CCT	Driver Type	Lens	Width / Bracket Select	Packaging
L830 =80CRI, 3000K L835 =80CRI, 3500K L840 =80CRI, 4000K L850 =80CRI, 5000K	[Blank] =0-10V Dimming Driver (1% Dimming)	[Blank] =No Lens Trilobe TS =Trilobe Wide TB =Trilobe Batwing Round LC =Clear Lens LN =Semi-Frost Lens - Narrow LW =Full Frost Lens - Wide Square ⁽⁵⁾ SLC =Square / Flat Clear Lens SLN =Square / Flat Semi-Frost Lens - Narrow SLW =Square / Flat Full Frost Lens - Wide	[Blank] =3.5" - 4.5" NRW =2.5" - 3.5"	U =Unit Carton
		Notes (5) Square lens not available with emergency or integrated sensor options.		

BLANK GEAR TRAY ORDERING

Length ⁽⁶⁾	Series	Mounting Bracket Width
4 =4'	SSRK =Surface Strip Retrofit Kit	[Blank] =3.5" - 4.5" NRW =2.5" - 3.5"
Notes (6) 8' fixtures wired with two 4' gear trays as a master satellite.		

Product Specifications

Construction

- Cold rolled steel channel
- Channel cover secured with sheet metal screws

Controls

- HCD - 1% dimming drivers

Electrical

- Available in 3000K, 3500K, 4000K, or 5000K
- 80 CRI standard
- TM21 rating of L87>60,000 hours
- Electronic drivers are cULus recognized
- Voltage options: 120-277V and 347V

Emergency Battery Pack Option

- Optional 120V-277V integral battery pack available with 7 watts or 14 watts of output
- 7 watt battery provides approximately 900 lumens
- 14 watt battery approximately 1800 lumens
- Batteries provide 90 minutes of backup power
- Integrated test switch/indicator light visible from floor
- Emergency/generator options available for use with UL 1008 devices

Finish

- Pre-treated with multi-stage iron phosphate
- Standard baked white enamel finish

Shielding

- Three round lensed optical distributions available
 - LC, clear with linear ribs
 - LN, semi-frost for narrow distribution
 - LW, full frost for wide distribution
- Three square lensed optical distributions available
 - SLC, clear with linear ribs
 - SLN, semi-frost for narrow distribution
 - SLW, full frost for wide distribution
- Two Trilobe lensed optical distributions available
 - TS, full frost for wide distribution
 - TB, semi-frost for batwing distribution

Installation

- Mounts to any existing 4 foot strip width from 2.5" to 4.5"

Compliance

- Luminaires are cULus listed for -20C to 40C ambient environments
- Max ambient temperature with emergency battery pack = 35°C
- IESNA LM-79 and LM-80 compliant
- State of California Title 24 compliant
- DesignLights Consortium® Qualified and classified for both DLC Standard and DLC Premium, refer to www.designlights.org for details.

Warranty

- Five-year warranty

Energy and Performance Data

Performance Data

Lumen Package (Lumens per foot)	Nominal Lumens per foot	Watts	Efficacy (Lumens per watt)
500	537	13.7	156.8
750	812	20.4	159.3
1000	1080	27.7	156.0
1500	1637	44.8	146.2
2000	2186	62.9	139.0

4ft Fixture - Round Clear Lens, 4000K, 80CRI

Lumen Calculator

CCT Multiplier	80 CRI Multiplier
3000K	0.97
3500K	0.98
4000K	1.00
5000K	1.00

Lens Table

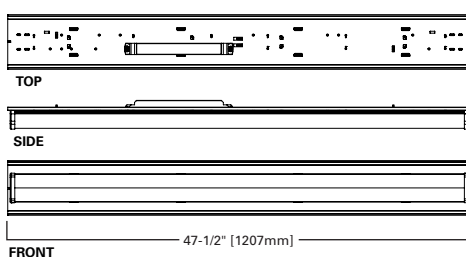
Approximate Lumen Multiplier	
No Lens	1.000
TS	0.842
TB	0.884
LC	0.961
LN	0.934
LW	0.831
SLC	0.984
SLN	0.951
SLW	0.882

Load Data

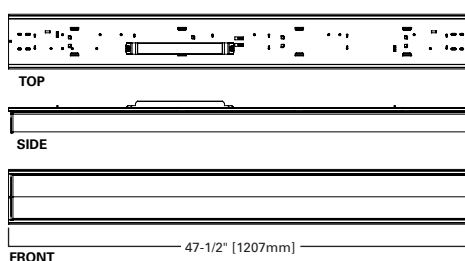
	4'
PF	> .9
THD%	> 20%
Low Temp Start	-20° C
Max Ambient Temp	35° / 40° C
Weight	4.4

Mounting Data

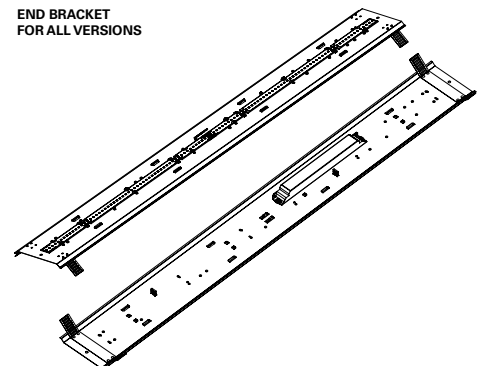
4' ROUND LENS OPTION



4'TRILobe LENS OPTION



END BRACKET FOR ALL VERSIONS



Photometric Data

[View IES files](#)