

Installation Instructions - Continua SQ4 Suspended LED Hub/Corners

 **WARNING**

Risk of Fire, Electrical Shock, Cuts or other Casualty Hazards- Installation and maintenance of this product must be performed by a qualified electrician. This product must be installed in accordance with the applicable installation code by a person familiar with the construction and operation of the product and hazards involved.



Risk of Fire and Electric Shock- Make certain power is OFF before starting installation or attempting any maintenance. Disconnect power at fuse or circuit breaker.



Risk of Fire- Minimum 90°C supply conductors.



Risk of Burn- Disconnect power and allow fixture to cool before handling or servicing.

Risk of Personal Injury- Due to sharp edges, handle with care.

Failure to comply with these instructions may result in death, serious bodily injury and property damage.

DISCLAIMER OF LIABILITY: Cooper Lighting Solutions assumes no liability for damages or losses of any kind that may arise from the improper, careless, or negligent installation, handling or use of this product.

IMPORTANT: Read carefully before installing fixture. Retain for future reference.


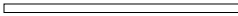



NOTICE: Green ground screw provided in proper location. Do not relocate.












NOTICE: Fixture may become damaged and/or unstable if not installed properly.

Note: Specifications and dimensions subject to change without notice.

ATTENTION Receiving Department: Note actual fixture description of any shortage or noticeable damage on delivery receipt. File claim for common carrier (LTL) directly with carrier. Claims for concealed damage must be filed within 15 days of delivery. All damaged material, complete with original packing must be retained.

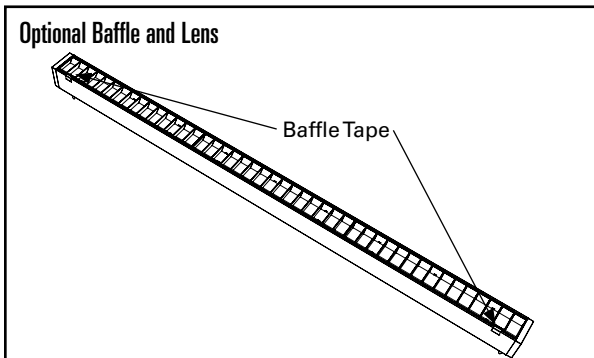
Wiring Table

Power Supply (Input)	
	Black (BK) - Hot
	White (WT) - Neutral
	Green (GN) - Ground
	Violet (VT) - Dimming (+)
	Pink (PK) - Dimming (-)

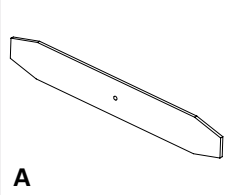
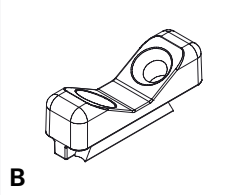
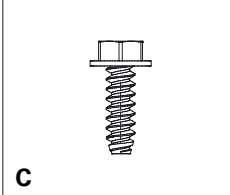
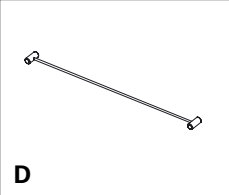
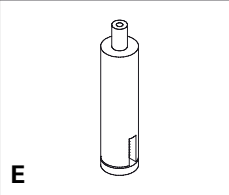
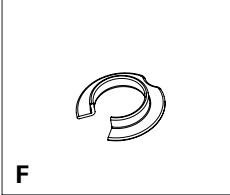
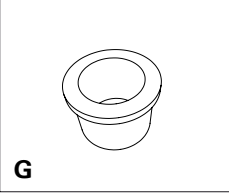
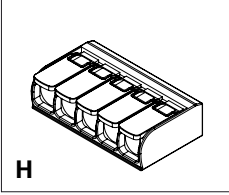
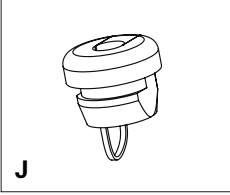
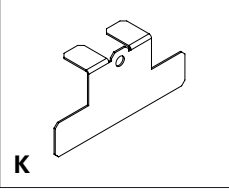
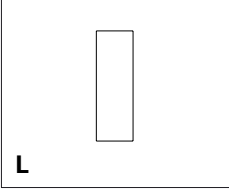
Power Supply (Input) - When Applicable	
	Black/Red (BK/RD) - Emergency Hot
	White/Red (WT/RD) - Emergency Neutral
	Black/Orange (BK/OR) - 2nd Circuit Hot
	White/Orange (WT/OR) - 2nd Circuit Neutral
	Orange (OR) - 2nd Circuit Dimming (+)
	Yellow (YL) - 2nd Circuit Dimming (-)
	Blue (BL) - Battery/Emergency Unswitched Hot
Vivid Tune	
	Violet/White (VT/WT) - 1st Circuit CCT (+)
	Pink/Black (GY/BK) - 1st Circuit CCT (-)
	Black/White (BK/WT) - 2nd Circuit CCT (+)
	White/Yellow - 2nd Circuit CCT (-)

Recommended Equipment:

- Hammer
- 1/4" nut driver
- Flathead screwdriver
- Scissors or sharp cutting blade
- Gloves



Baffle is shipped pre-installed in light fixture. Do not remove baffle tape until installation is complete.

		
A Biscuit Aligner	B Cast Joiner	C #8-18 x 1/2 HWH
		
D Cross Cable	E Cable Adjuster	F Strain Relief
		
G Bushing	H 5-way Connector	J Strain Relief
		
K H End Plate	L Seam Tape	

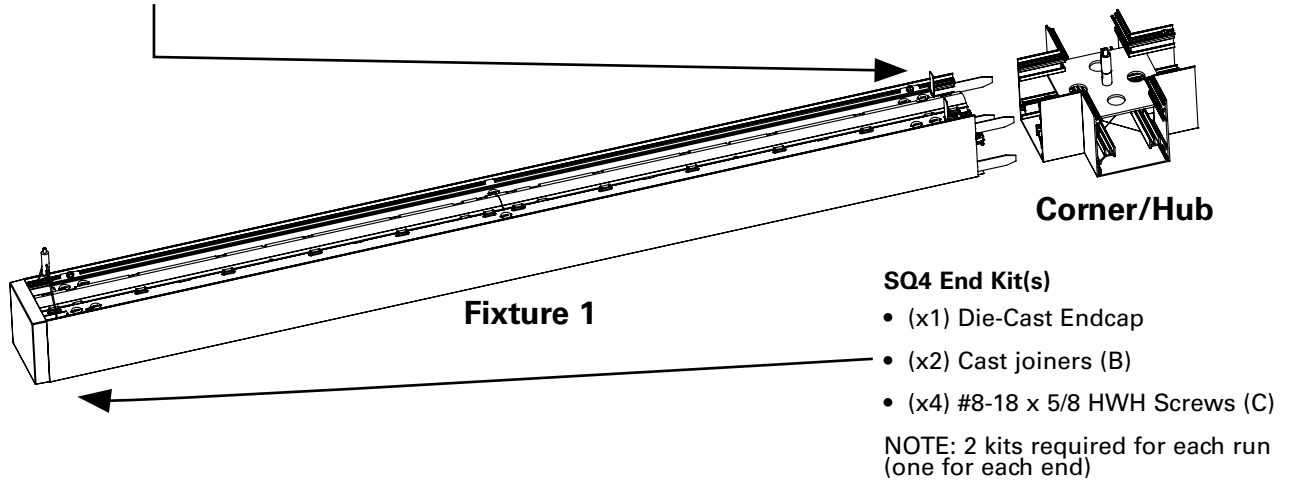
Installation Instructions - Continua SQ4 Suspended LED Hub/Corners

System Overview

SQ4 Joint Kit(s)

- (x4) Biscuit Aligners (A)
- (x2) Cast joiners (B)
- (x4) #8-18 x 5/8 HWH Screws (C)
- (x1) End Plate
- (x2) Seam Tape (L)

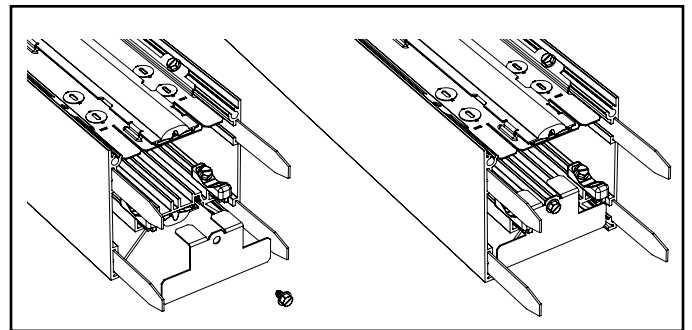
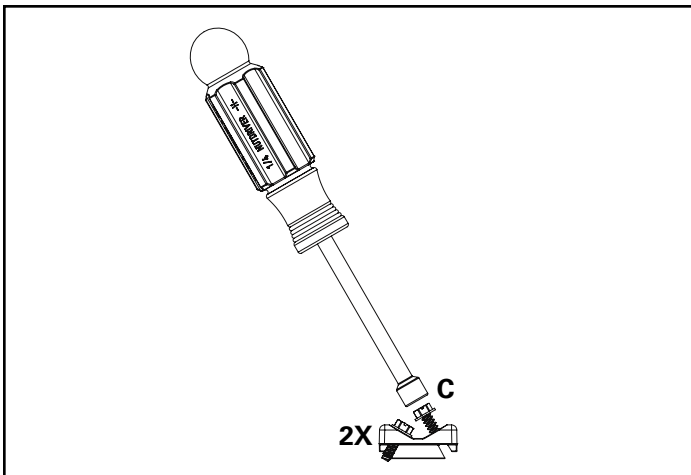
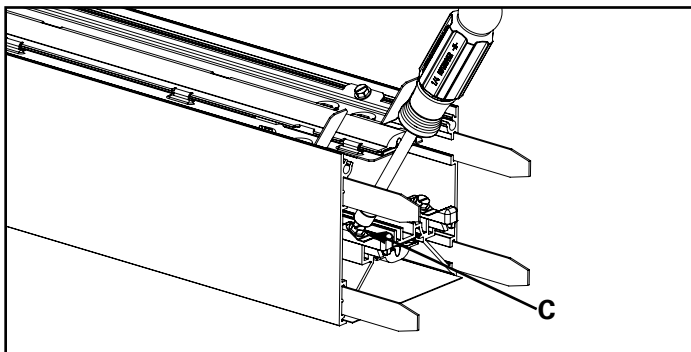
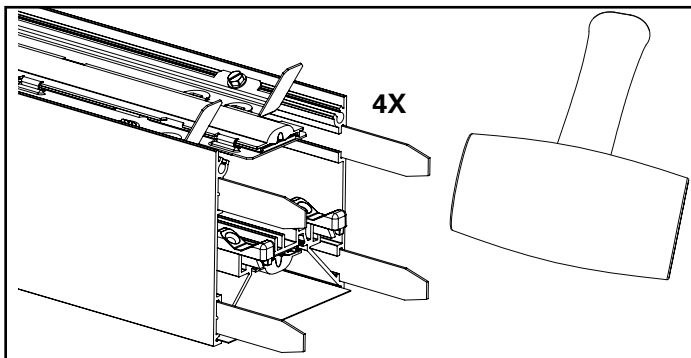
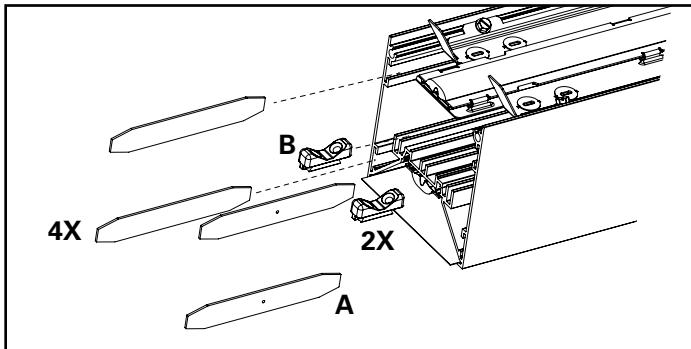
NOTE: 1 kit required for each fixture-to-fixture joint



For installation at ceiling, see separate ceiling interface instructions.

① Fixture Joining Hardware

At end of fixture (one end per corner, hub or fixture joint), secure Biscuit Aligners half way into fixture end using hammer and install cast joiners. Attach end plate to fixture end connecting to corner/hub.

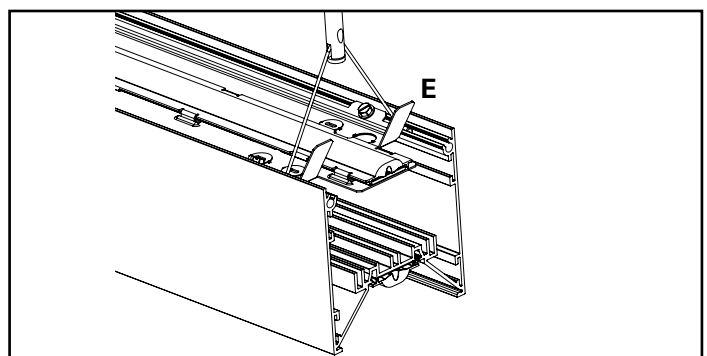
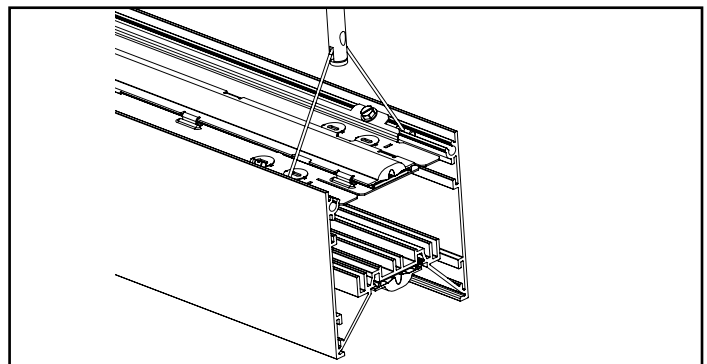
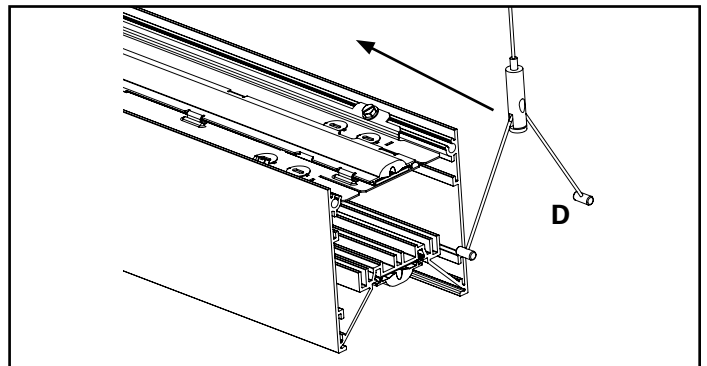


② Aircraft Cable at Fixture

IMPORTANT

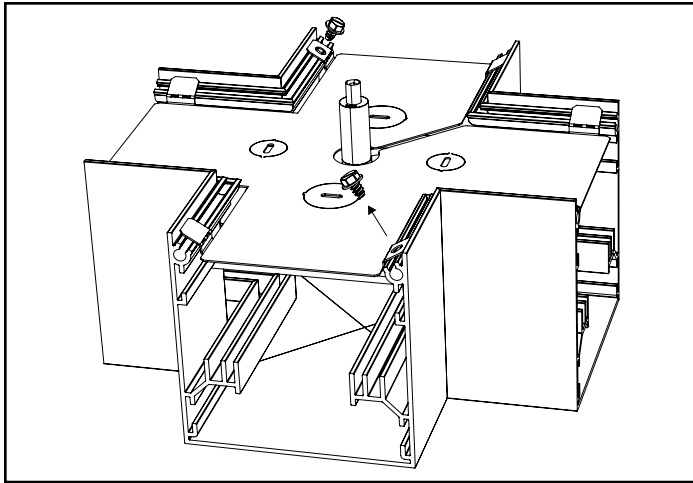
Slide cross cable into fixture end. Mounting points can be adjusted inward later as needed. (Please refer to the table on page 3).

Bend tabs upward after inserting cross cable into fixture in order to retain cross cable during installation.

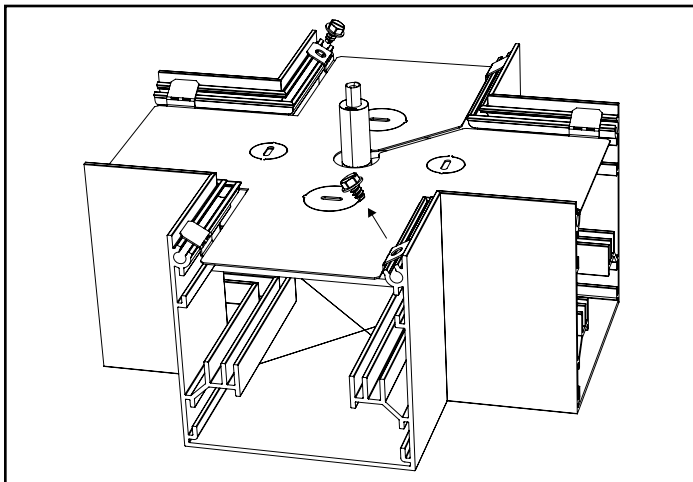
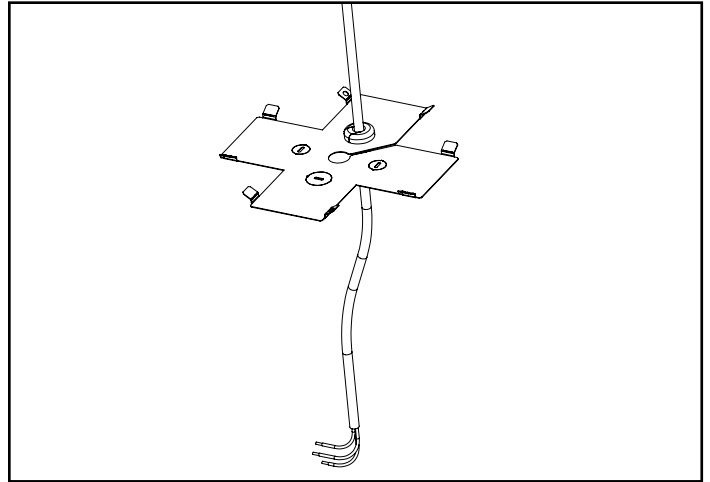


③ Assemble the Hub/Corner

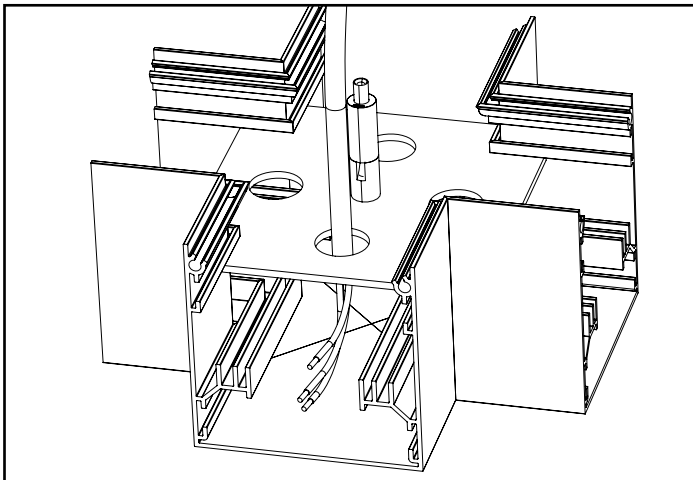
Remove the 2 screws securing the cover plate to the top of the corner assembly and remove the cover plate.



The cover plate can be temporarily hung from the SJ cord, using the provided strain relief, if the SJ is already attached to the canopy.

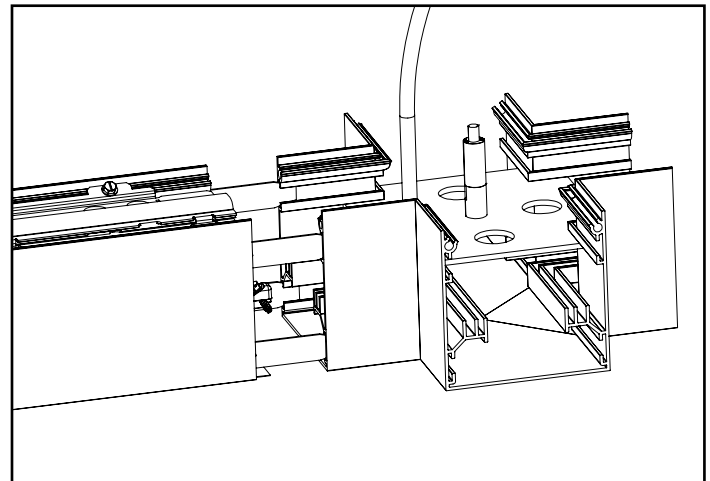


Insert the SJ cable through the hole as shown below. (Strip the main jacket to expose at least 8 inches of loose wire).

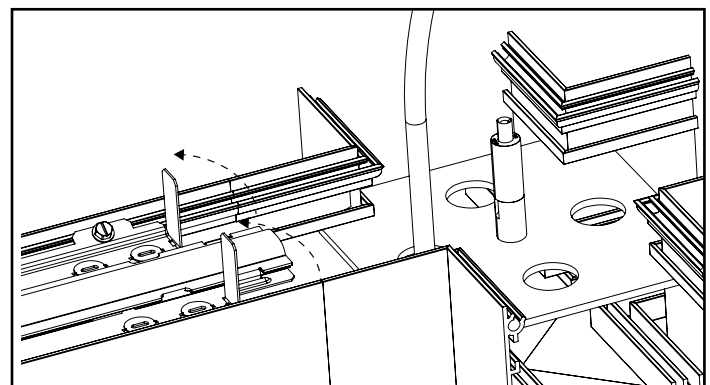


④ Joining

Align the first fixture with the corner/hub assembly and slide the biscuits part of the way into the extrusion.

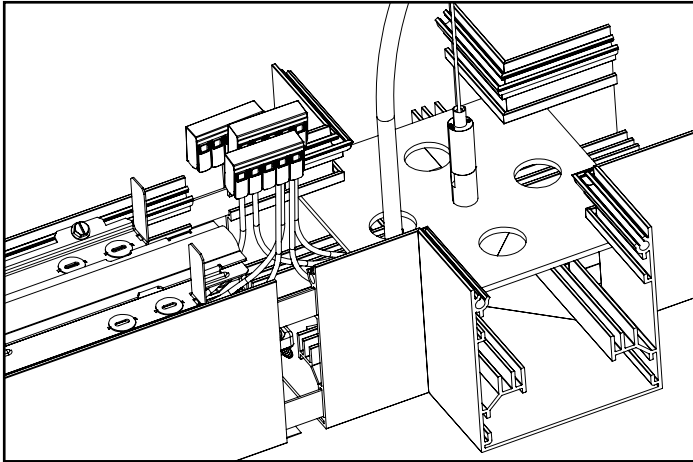


Bend up tabs to expose the tops of the cast joiner screws.

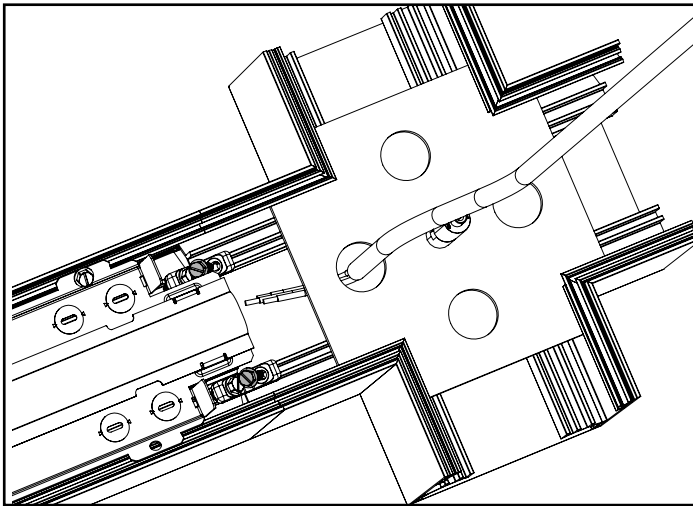


Installation Instructions - Continua SQ4 Suspended LED Hub/Corners

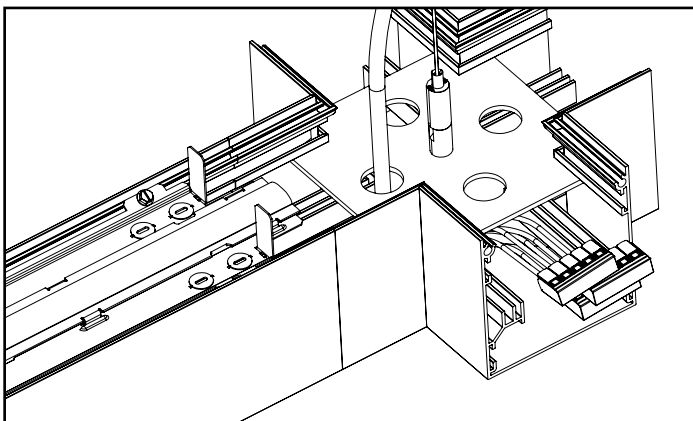
Make wiring connections using the provided 5 wire connectors



Slide the fixtures together and drive the provided #8-18 by 1/2" screws into the hub/corner as shown.

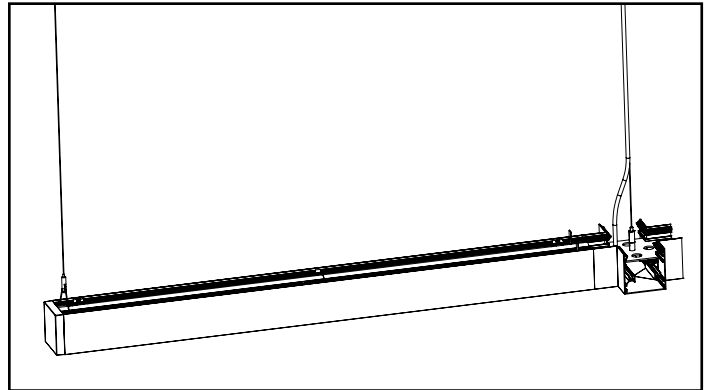


Pull the 5 wire connectors out of the opening of the next fixture in the sequence for ease of wiring.



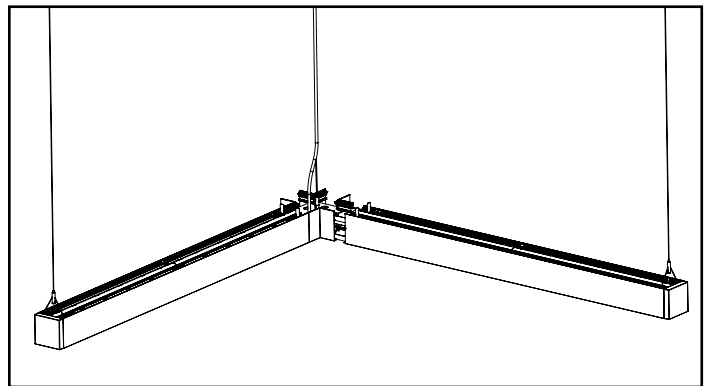
⑤ Suspend the Fixture

Suspend and level the first fixture with hub/corner attached.

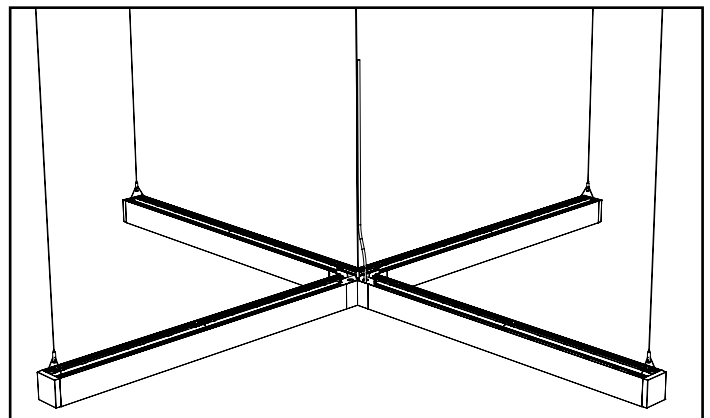


Prepare the next fixture and attach to the hub.

Ensure all tabs are bent upward for joining and making electrical connections. Close all tabs once complete. Slide next fixture onto hanging hub/corner until biscuit joiners engage. Make wiring connections and push wires into housing prior to sliding the fixtures firmly together. Once fixtures are together fasten joiners using the provided #8-18 x 1/2 HWH screws.

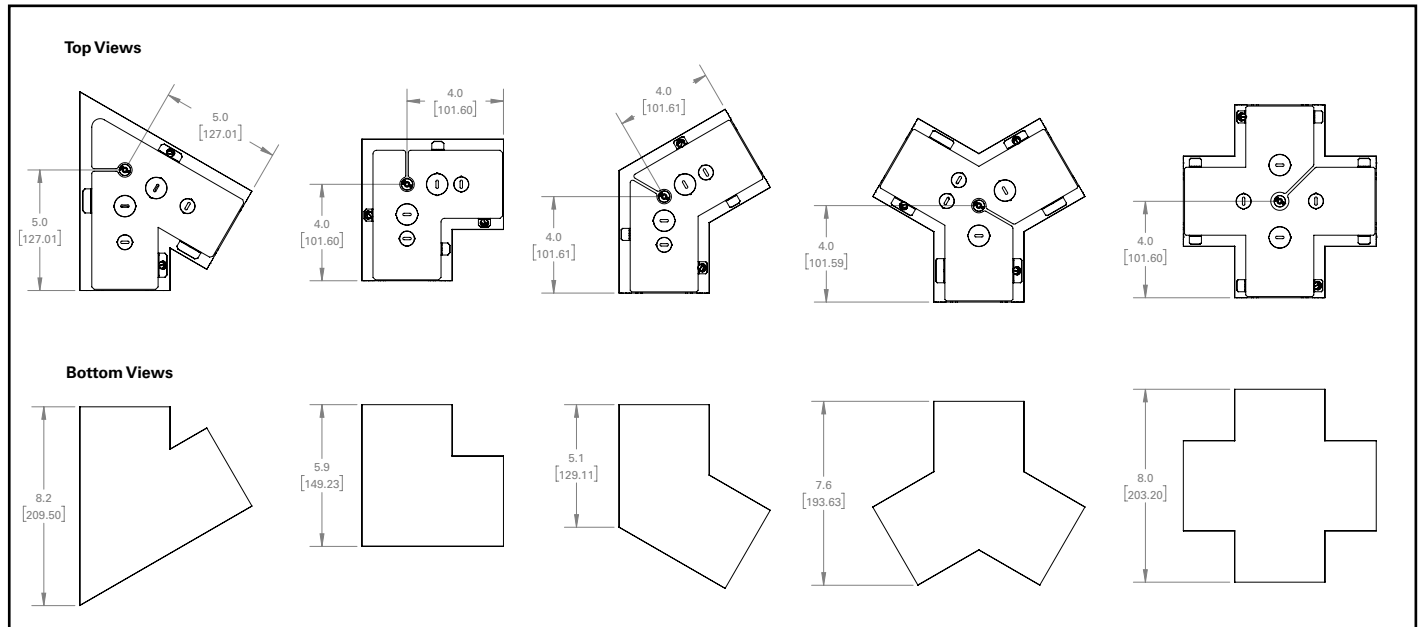


Continue the installation until the pattern is complete.

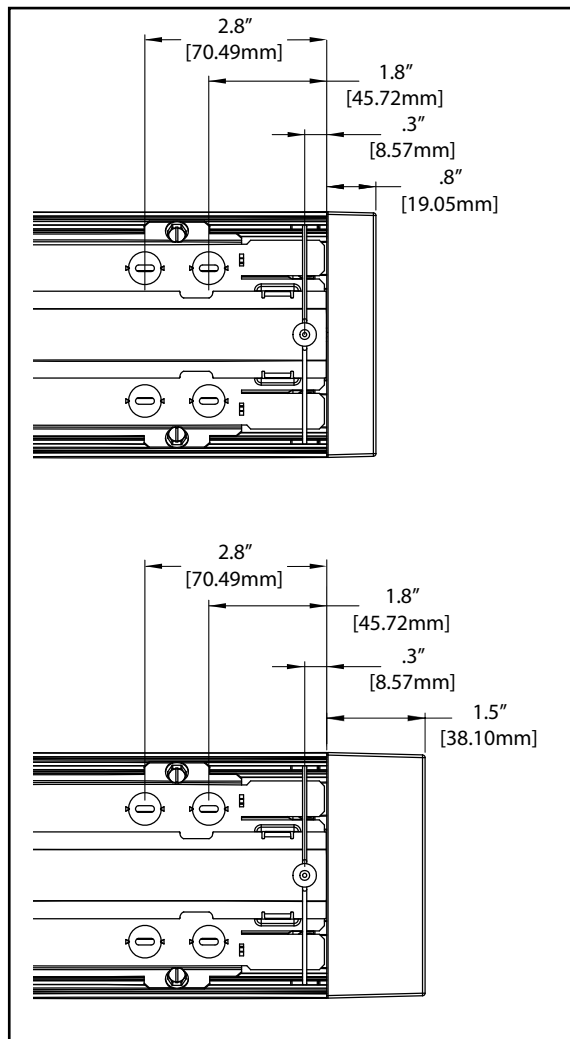


Installation Instructions - Continua SQ4 Suspended LED Hub/Corners

Hub/Corner types



Fixture End Details



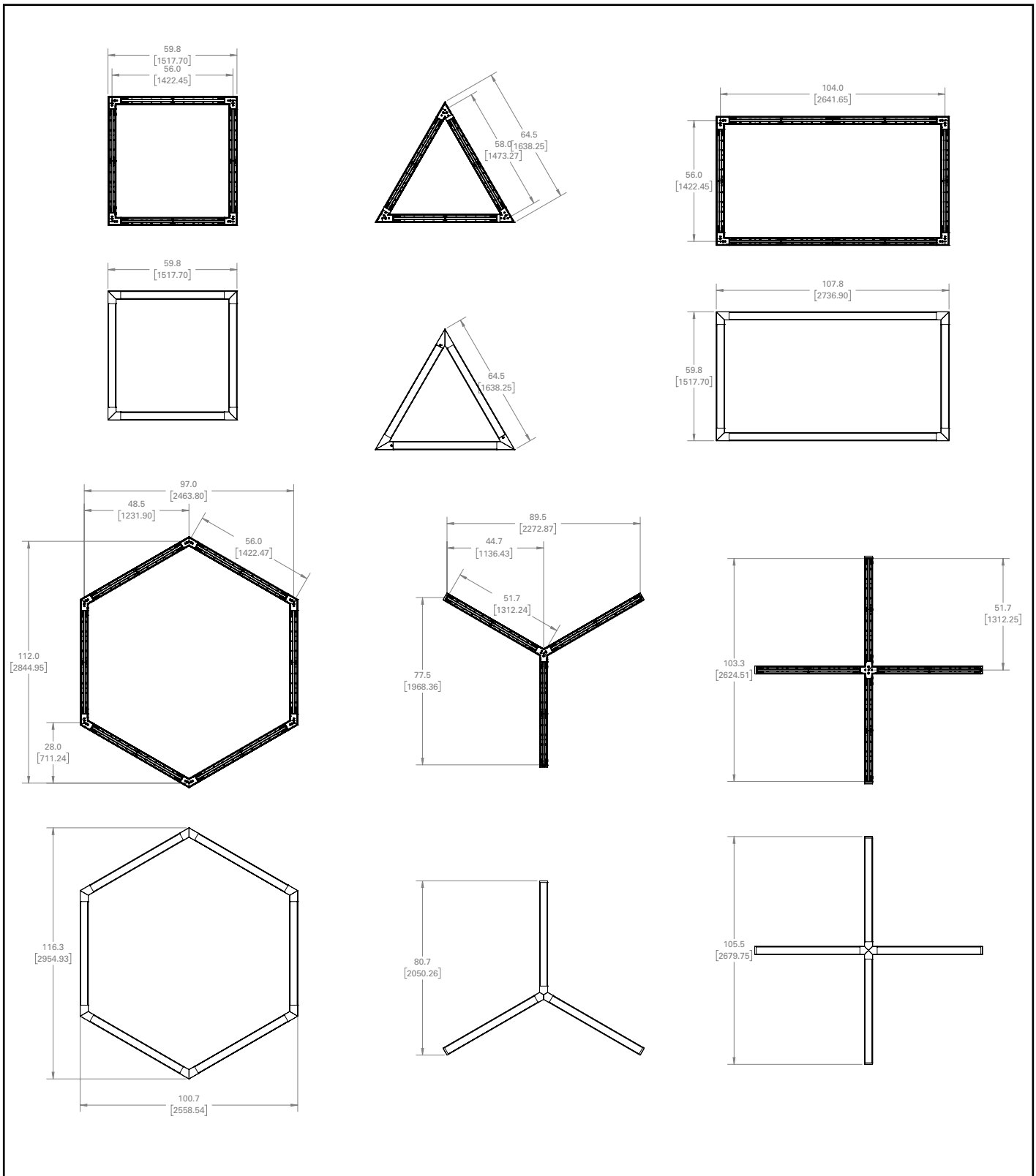
Mount Spacing

Hub-Spoke patterns and linear fixture runs have flexible mounting points at ends of fixtures. Shapes have fixed mounting points (see page 8 for details). Consult factory for flexible mounting locations on shapes.

Maximum distances of flexible mount location from end of unit.
Maximum distance between mounting points shall not exceed 12 feet.

Unit Length	Mounting Distance	Nominal	Max	Min	Adjustment
2 ft	18in to 24in	24in	24in	18in	6 inches
4 ft	36in to 48in	48in	48in	36in	12 inches
6 ft	54in to 72in	72in	72in	54in	18 inches
8 ft	72in to 96in	96in	96in	72in	24 inches
12 ft	96in to 144in	144in	144in	96in	48 inches

Hub/Corner Patterns and Dimensions



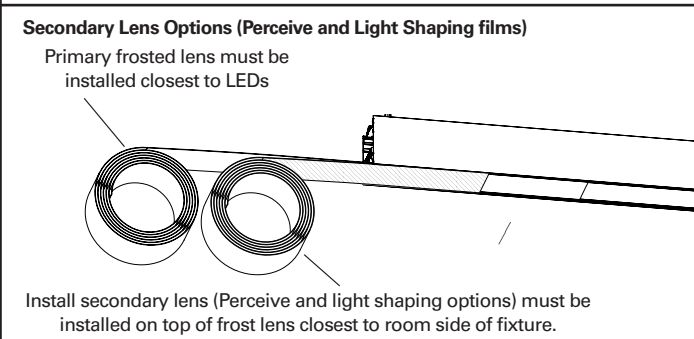
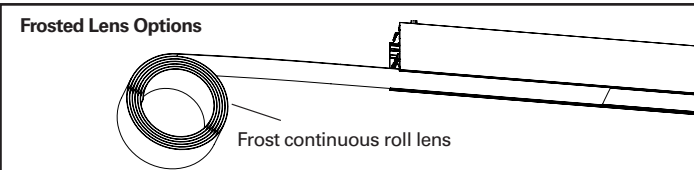
Installation Instructions – Continua SQ4 Suspended LED Hub/Corners

⑥ Roll Lens

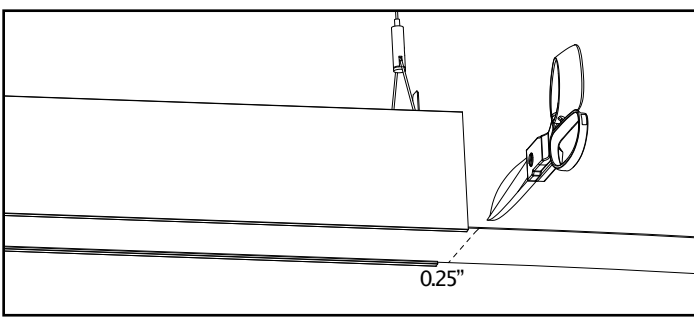
IMPORTANT: If conditions are dusty/dirty, recommended practice is to keep lens roll(s) in plastic packaging and install once conditions are clean. Install roll lens using clean work gloves.

IMPORTANT: Energize fixture to test LEDs and confirm they are all lit before beginning roll lens install.

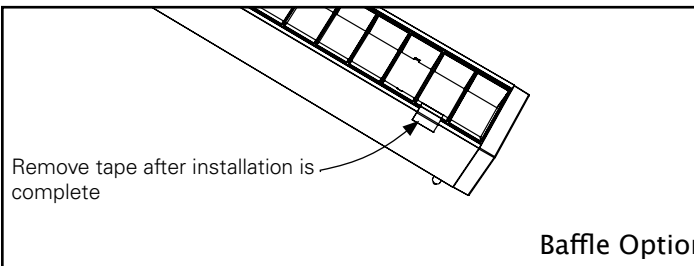
Support the roll lens at one end of fixture (as shown) while another person pulls lens through.



IMPORTANT: Ends of lenses should overhang fixture by 1/4" at each end. Trim lens where necessary. **DO NOT UNDER-CUT.**



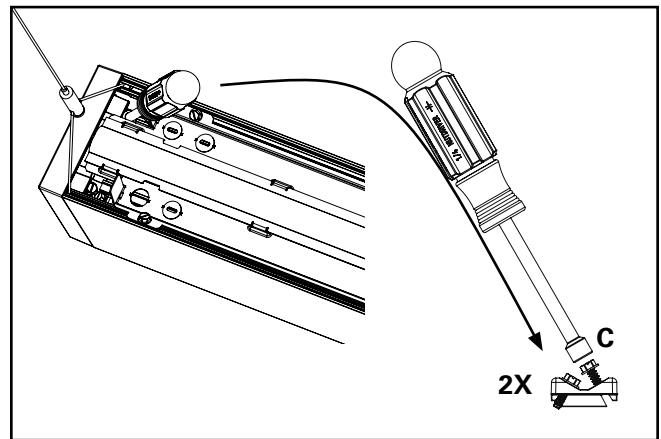
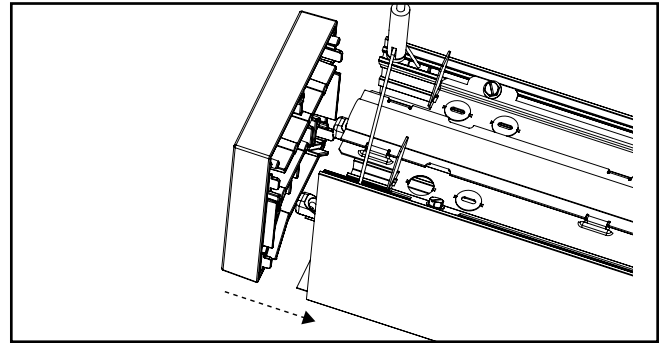
⑧ Optional Baffle



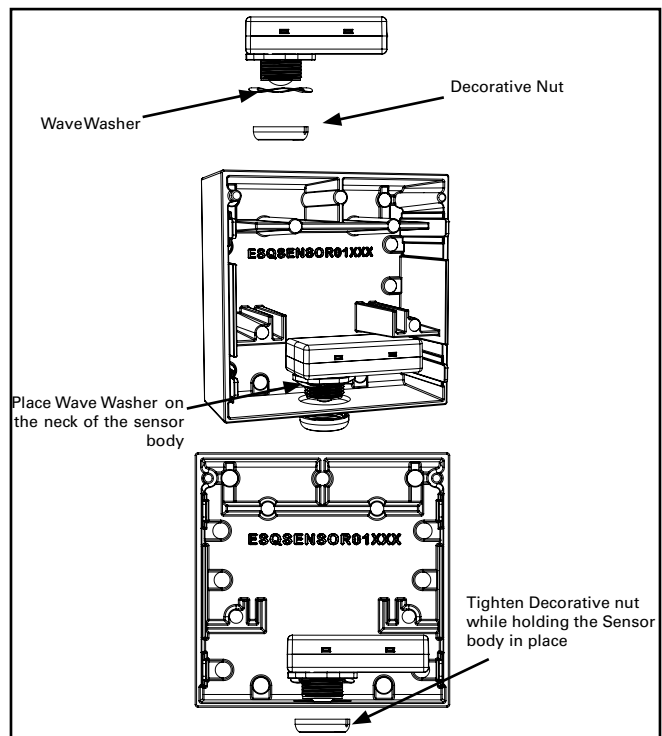
Remove Baffle Tape after fixtures are installed. After removing tape, take care to ensure that the down-light baffle components are spaced appropriately so that there is minimal gap between them.

⑦ End Caps

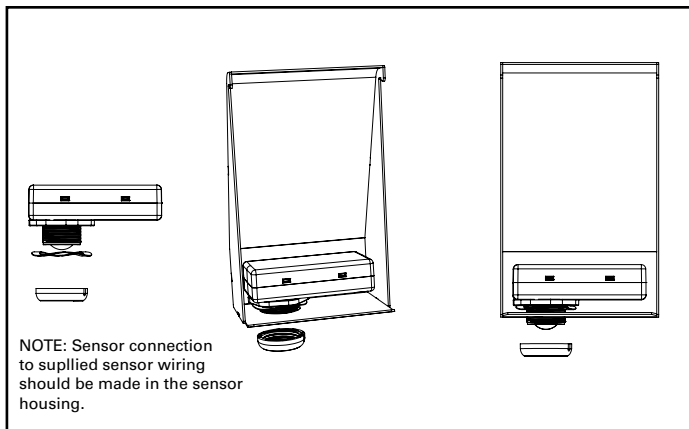
Secure endcaps to fixture using cast joiners. Close all tabs once complete.



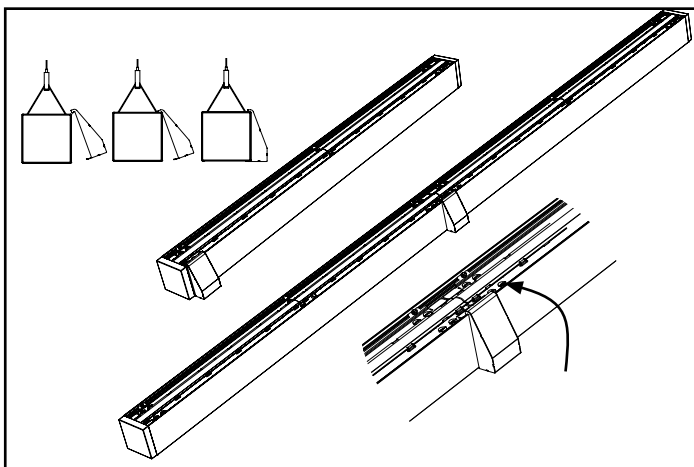
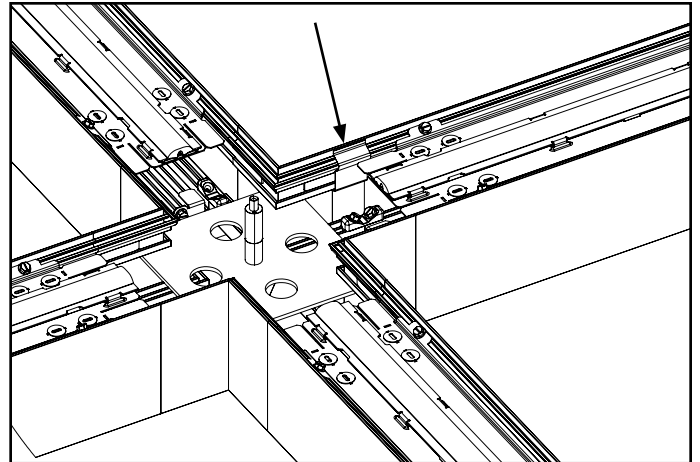
⑨ Sensor End Caps (if applicable)



⑩ Sensor Side Mount (if applicable)



Install Seam Tape (L) as needed



⑪ Fixture Maintenance and Cleaning

Always follow recommended cleaning and handling procedures when cleaning the lens. It can be permanently damaged if cleaned or handled improperly.

Blowing off the Surface of the Lens

Dust and other loose contaminants should be blown off before any other cleaning technique is employed. Using compressed air over the entire lens is recommended to prevent static buildup.

Additional Cleaning Methods

Fingerprints and large dust particles can be removed by gently wiping the surface with a clean microfiber cloth. If additional cleaning is required it is recommended to use Clorox® wipes to remove remaining contaminants by gently rubbing the affected area and allowing to air dry.

Warranties and Limitation of Liability

Please refer to www.cooperlighting.com/WarrantyTerms for our terms and conditions.

Garanties et limitation de responsabilité

Veuillez consulter le site www.cooperlighting.com/WarrantyTerms pour obtenir les conditions générales.

Garantías y Limitación de Responsabilidad

Visite www.cooperlighting.com/WarrantyTerms para conocer nuestros términos y condiciones.

FCC Statement

• This device complies with Part 15 of the FCC Rules. Operation is subject to the following two conditions:

- (1) This device may not cause harmful interference.
- (2) This device must accept any interference received, including interference that may cause undesired operation.

Note: The grantee is not responsible for any changes or modifications not expressly approved by the party responsible for compliance. Such modifications could void the user's authority to operate the equipment.

Note: The equipment has been tested and found to comply with the limits for a **Class B** digital device, pursuant to part 15 of the FCC Rules.

These limits are designed to provide reasonable protection against harmful interference in a residential installation. This equipment generates uses and can radiate radio frequency energy and, if not installed and used in accordance with the instructions, may cause harmful interference to radio communications. However, there is no guarantee that interference will not occur in a particular installation. If this equipment does cause harmful interference to radio or television reception, which can be determined by turning the equipment off an on, the user is encouraged to try to correct the interference by one or more of the following measures:

- Reorient or relocate the receiving antenna.
- Increase the separation between the equipment and receiver.
- Connect the equipment into an outlet on a circuit different from that to which the receiver is connected.
- Consult the dealer or an experienced radio/TV technician for help.

This device complies with FCC radiation exposure limits set forth for an uncontrolled environment. This equipment must be installed and operated in accordance with provided instructions and the antenna(s) used for this transmitter must be installed to provide a separation distance of at least 20 cm from all persons.