

Project		Catalog #		Type	
Prepared by		Notes		Date	



Greengate

GG37P – 37 Pin Receptacle

The 37 pin receptacle kit is used with the Greengate Patient Control Station to provide an interface to the Greengate lighting control panel, Nurse Call System and the entertainment system

Typical Applications

Office • Education • Healthcare • Hospitality • Retail • Industrial • Manufacturing

Interactive Menu

- Order Information page 2
- Additional Resources page 3
- Wiring Diagrams page 3
- Product Warranty

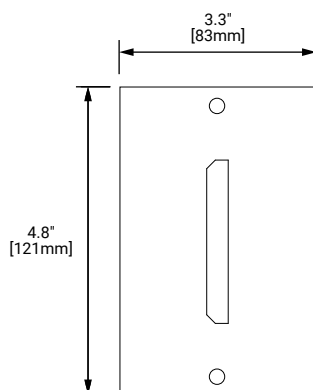
Product Certification



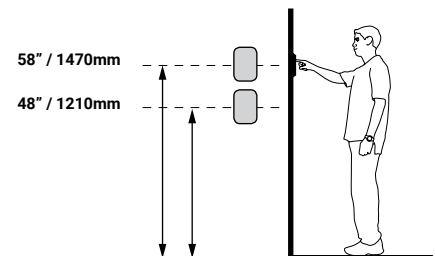
Top Product Features

- The 37 pin receptacle kit is used with the Greengate Patient Control Station to provide an interface to the Greengate lighting control panel, Nurse Call System and the entertainment system
- The 37 Pin receptacle kit includes:
3 pigtails, stainless steel wall plate, receptacle/dummy plug, Class 2 low voltage wiring
- Each cable is standard 8' and the jacket is stripped back 3"
- The individual conductors are stripped 1" and tinned
- Connects to Greengate Lighting Control Panels

Dimensional Details



Mounting Height



additional product diagrams

Order Information

This is an accessory for the Greengate Room Controller (RC3DEHC) and ControlKeeper 4A lighting control panels.

Catalog Number

Catalog Number	Description
GG37P	Greengate 37 pin receptacle – used with the Greengate Patient Control Station to provide an interface to the Greengate lighting control panel, Nurse Call System and the Entertainment System

Product Specifications

Key Features

- The 37 pin receptacle kit is used with the Greengate Patient Control Station to provide an interface to the Greengate lighting control panel, Nurse Call System and the entertainment system

Electrical

Power Sources:

- Lighting Control Panels must be fed from alternate power

Connection:

- Connects to normal power

Compatibility

- Room Controller, ControlKeeper 4A

Standards/Ratings

- UL Approved
- UL 924 Listed

Warranty

Consult website for warranty information

Operation

Cable A - Typically for Lighting Control

Pin No.	Color Code	Typical Pin Function	Lighting Connections
2	BLK	Direct light, right	Zone 3
3	WHT	Indirect light, right	Zone 1
20	RED	Direct light, left	All Lights ON/OFF
21	GRN	Indirect light, left	Zone 2
27	BRN	Light common	+24 VDC

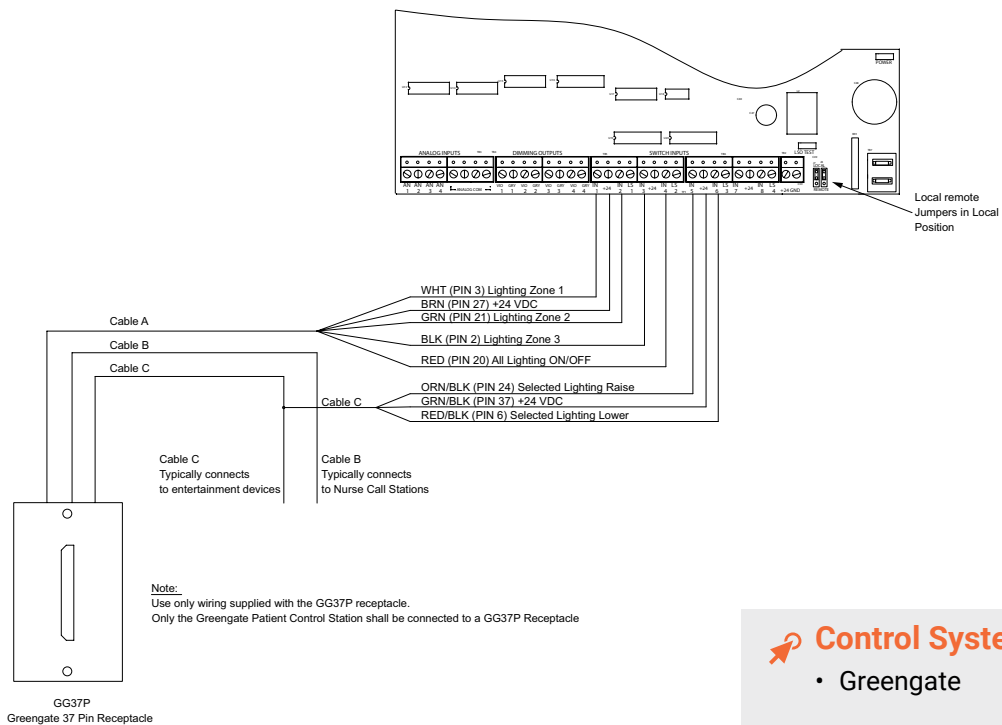
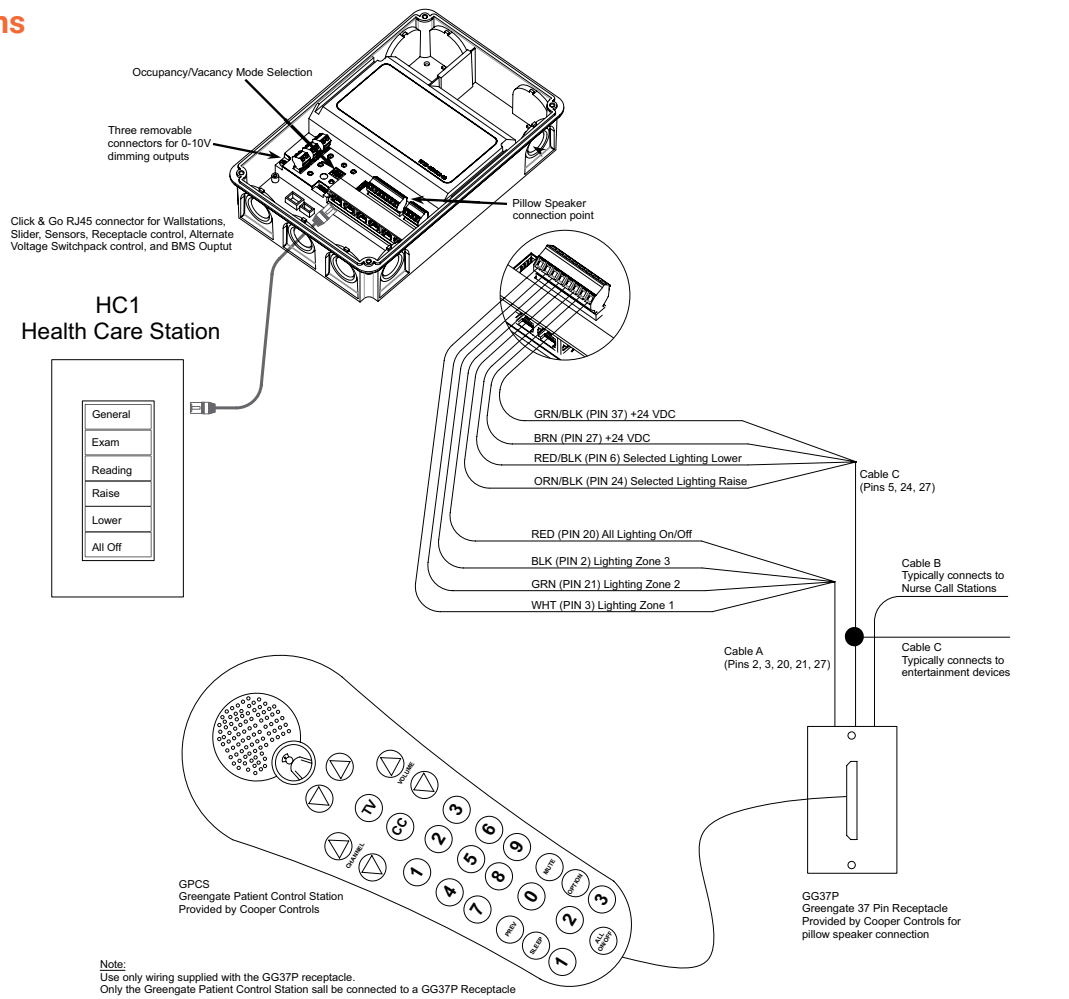
Cable B - Typically for Nurse Call System

Pin No.	Color Code	Typical Pin Function	Lighting Connections
4	YEL	Speaker high, right	
7	ORN	Nurse Call Interlock	
8	BLU	Audio Transfer (-)	
9	BRN	Audio Transfer (+)	
22	GRN	Speaker high, left	
25	RED	Nurse Call (+)	
26	WHT	Nurse Call (-)	
35	BLK	Speaker low common	

Cable C - Typically for Entertainment System

Pin No.	Color Code	Typical Pin Function	Lighting Connections
5	BLU/BLK	Volume Control Wiper, right	
6	RED/BLK	Radio Control, right	Lower
10	BLK/RED	Interlock (+)	
11	WHT/RED	Interlock (-)	
14	BLK/WHT	Volume Control low common	
15	RED/WHT	Volume Control high common	
16	ORN	Red Nurse Answer Light (+)	
18	RED	DC (+)	
19	GRN	Yellow Nurse Answer Light (+)	
23	GRN/WHT	Volume Control, Left	
24	ORN/BLK	Radio Control, left	Raise
28	BLK	Yellow Nurse Answer light (-)	
29	WHT	Red Nurse Answer light (-)	
30	ORN/RED	Bed Exit Priority Call (+)	
31	BLU/WHT	Bed Exit Priority Call (-)	
33	WHT/BLK	TV Channel Stepping (-)	
34	BLU	TV Channel Stepping (+)	
37	GRN/BLK	Radio Control Common	+24 VDC

Wiring Diagrams



Control Systems

- Greengate