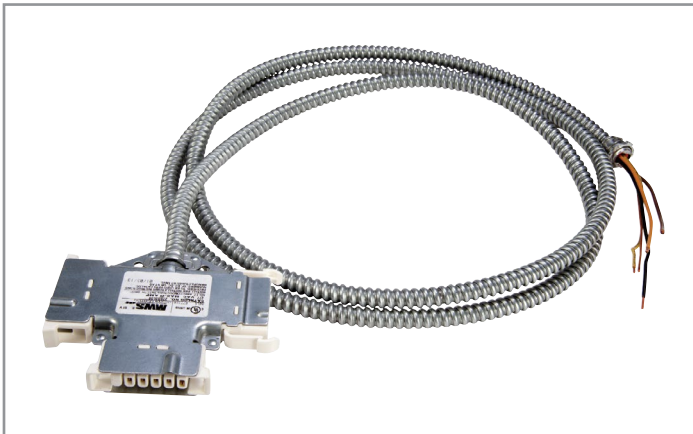


Project		Catalog #		Type	
Prepared by		Notes		Date	



MWS

SD

Switch Drop Modular Wiring Systems

Typical Applications

Office • Education • Healthcare • Hospitality • Retail • Industrial
• Manufacturing • Sports Venues

Interactive Menu

- Order Information page 2
- Product Specifications page 2
- System View page 2
- Product Warranty

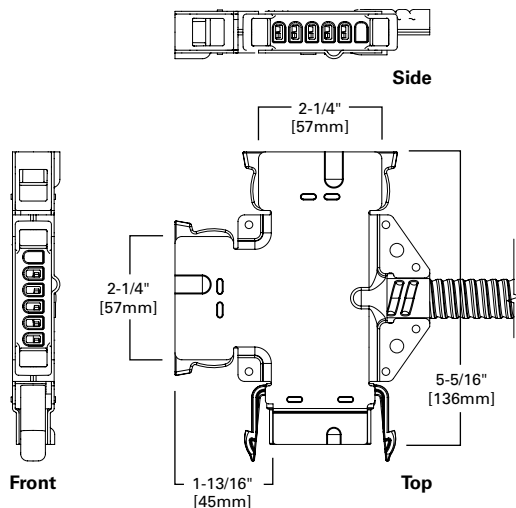
Product Certification



Top Product Features

- UL Listed under Standard 183 for make or break under load
- Meets requirements of Article 604 of the National Electrical Code
- Rated at 20 amperes with full-size ground wire
- Copper conductors with THHN insulation rated at 90°C
- Galvanized steel exterior with integral keying for voltage

Dimensional and Mounting Details



additional product diagrams

Order Information

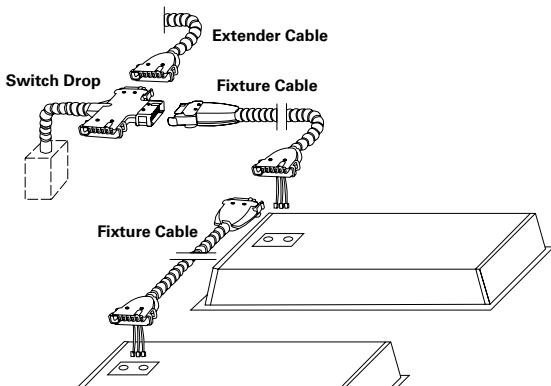
SAMPLE ORDER NUMBER: **27SDSL09**

Voltage	Component	Switching Function	Cable Length (Feet)	Options
12=120V 27=277V 34=347V	SD=Switch Drop ⁽¹⁾ Notes (1) Available in #12-AWG only, rated at 20 amperes.	3L=Single Circuit, Three Level DC=Dual Circuit, Dual Level DL=Single Circuit, Dual Level SL=Single Circuit, Single Level	01=9' 09=9' 15=15'	N=Neutral Dropped to Switches

Product Specifications

- UL Listed under Standard 183 for make or break under load
- MWS components assembled with 12 AWG/10 AWG conductors rated at 20 amperes with full size ground wire
- Copper conductors are THHN insulated wire rated 90°C
- Galvanized steel exterior with integral keying for voltage and amperage
- Cable end supplied with 1/2" connector with locknut and 6" pre-stripped leads
- Introduces single or multiple local switching into the MWS circuit
- All unused outlets require a MWS dust cover. MWS ST, SP, SD, CT and TC are shipped with one dust cover attached

System View (not to scale)



Switch Drop (SD)

Adds local line voltage switching. Switch Drop is attached directly to the switch junction box in the wall or to a junction box above the wall. Connect conductors to switches as required.

Typical MWS Wiring System Application shown utilizing **Switch Drop (SD)**.

Consult MWS Installation, Application and Specification Manual for additional comprehensive system information.

Shipping Data

Cable Lengths	Unit Wt.	Standard Qty./Carton
1'	1.8 lbs.	15
9'	3.6 lbs.	10
15'	5.0 lbs.	6

MWS Autocad Drafting

Please reach out to your local representative for MWS layout design assistance.

All electrical boxes, conduit, connections and switches by others.
Install dust covers on unused open ends.
Scale is exaggerated on fixtures and MWS system applications.