

| | | | | | |
|--------------------|--|------------------|--|-------------|--|
| Project | | Catalog # | | Type | |
| Prepared by | | Notes | | Date | |



Metalux

Accord 24AC LED

2' x 4' Specification Grade LED Troffer

Typical Applications

Office • Education • Healthcare • Retail

Interactive Menu

- Order Information [page 2](#)
- Photometric Data [page 3](#)
- Control Solutions [page 5](#)
- Product Warranty

Product Certification



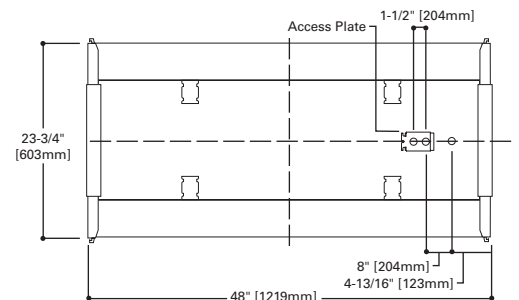
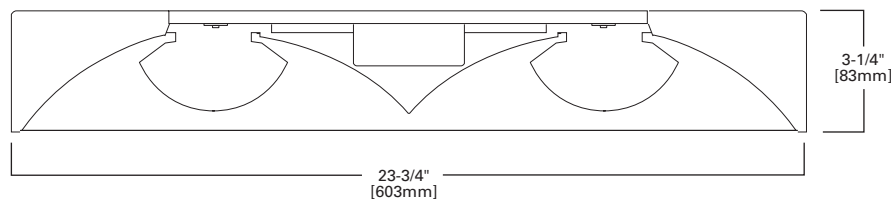
Product Features



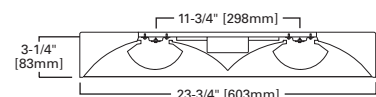
Top Product Features

- Available in 1' x 4', 2' x 2' and 2' x 4' recessed & surface versions
- Advanced optical control
- High performance efficacy up to 127 lumens per watt
- Over 60% energy savings when compared to fluorescent troffers
- Three CCT options: 3000K, 3500K and 4000K at 85 CRI
- Options to meet Build America, Buy America, Buy American and other domestic preference requirements

Dimensional and Mounting Details



NOTE: 2' x 2' and 2' x 4' allow for row mounting



Ceiling Compatibility

| G | F | Ceiling Type** | Trim Type |
|----------------------|-------------------|----------------|-----------|
| Grid/Lay-in Standard | Drywall Frame Kit | Exposed Grid | G |
| | | Concealed T | G or T |
| | | Slot Grid | G or T |
| | | Flange | *** |

Order Information

SAMPLE ORDER NUMBER: **24AC-LD5-55-UNV-L835-CD1-U**

| Domestic Preferences ⁽¹⁾ | Rating | Series ⁽²⁾ | Type | Lamp Type | Lumen Outputs | Shielding | Voltage ⁽⁶⁾ | |
|--|---|--|--|------------------------|--|--|--|---|
| [Blank] =Standard BAA =Buy American Act TAA =Trade Agreements Act BABAF =FHWA and FTA projects funded through October 1, 2026 | [Blank] =Standard ATW-SW4 =Chicago Rated | 24AC =2x4 Accord Series | [Blank] =Standard A =Air (vented) ⁽³⁾ | LD5 =LED 5.0 | Stock Lumen Outputs 44 =4400 Lumens 55 =5500 Lumens | MTO Lumen Outputs 31 =3100 Lumens 36 =3600 Lumens 39 =3900 Lumens 48 =4800 Lumens 63 =6300 Lumens 68 =6800 Lumens 73 =7300 Lumens | [Blank] =Standard Lens | UNV =Universal Voltage 120-277 347V =347 Volt ⁽⁶⁾ 120V =120 Volt ⁽⁷⁾ 277V =277 Volt ⁽⁷⁾ |
| Notes ⁽¹⁾ Only product configurations with these prefixes are built to be compliant with the Buy American Act of 1933 (BAA), Trade Agreements Act of 1979 (TAA), or the Build America Buy America Act (BABA). BABA is the minimum Government compliance requirement for the Build America Buy America standards which is part of the Infrastructure and Investment Jobs Act (IIJA). Individual Government Agencies may have more stringent compliance standards. BABAF designates the product will meet the standards set for FHWA and FTA. As noted, these must be funded by October 1, 2026. Please refer to DOMESTIC PREFERENCES website or consult the CLS Domestic Preferences team for more information. Components shipped separately may be separately analyzed under domestic preference requirements. | | Notes ⁽²⁾ DesignLights Consortium® Qualified and classified for both DLC Standard and DLC Premium, refer to www.designlights.org for details. | Notes ⁽³⁾ Air versions are not designed for continuous row mount applications. Air version is vented but does not meet air handling requirements. | | Notes ⁽⁴⁾ 3100 and 3600 lumen outputs not available with Step-dim driver and with Fifth Light drivers (5LTD and 5LTHD). | | Notes ⁽⁵⁾ Products also available in non-US voltages and frequencies for international markets. ⁽⁶⁾ 347V emergency option not available with emergency options. ⁽⁷⁾ Must specify voltage as 120V or 277V when ordering GTR2 option. | |

| Emergency Options | CCT | Flex | Driver Type |
|---|--|--|---|
| EL7W =EL7W=7-watt 120V-277V emergency battery pack ⁽⁸⁾ EL10W =10-watt 120V-277V emergency battery pack ⁽⁸⁾ EL14W =14-watt 120V-277V emergency battery pack ⁽⁸⁾ EL10WSD =10W emergency battery pack with self-diagnostic installed ^{(8),(11)} EL14WSD =14W emergency battery pack with self-diagnostic installed ^{(8),(11)} GTR2 =Bodine Generator Transfer Relay ^{(9),(10)} ETRD =Emergency Transfer Relay with dimming control ⁽⁹⁾ | L830 =3000K L835 =3500K L840 =4000K | A3/8-4/18GDIM =3/8" Flex with 0-10V Dimming Leads See below for details. A3/8-5/18GDIM =Flex with 0-10V Dimming leads and Blue for alternate wiring. See below for details. | CD =0-10V Dimming Driver (1%-100% Dimming) SR =Sensor-ready Dimming Driver (1%-100% Dimming) 5LTD =Fifth Light DALI Driver (10%-100% Dimming) ^(E) 5LTHD =Fifth Light Dimming Driver (1%-100% Dimming) ^{(12),(E)} SD =Step Dimming Driver (50%-100% Dimming) ⁽¹²⁾ LH =Lutron HiLume (LDE1 series) 1%-100% EcoSystem Driver with Soft-on Fade to Black dimming ^(F) |
| Notes ⁽⁸⁾ Factory installed with integral test switch/indicator/laser test. For approximate delivered lumens multiply the lumens per watt of the desired fixture by the wattage of the emergency battery pack (100 lm/W x 7=700 lumens). IES-format photometry for luminaire under emergency operation available. Battery option increases total height by 1 inch. ⁽⁹⁾ Used to bypass local control during outage. Must be used in conjunction with UL 1008 device (provided by others). GTR2 option includes 2 relays on fixtures with dimming drivers. ETRD option only requires one relay when used on a dimming fixture. ⁽¹⁰⁾ Must specify voltage as 120V or 277V when ordering GTR2 option. ⁽¹¹⁾ EL10WSD and EL14WSD not available with 347V. | | Flexible Metal Conduit Options Flex options available for 0-10V dimming control, DALI dimming control, emergency and night light functions. 72-inch factory-installed and pre-wired to driver, fitted to luminaire housing access plate with 90° enclosed FMC connector. Not all options may be combined and installation ratings vary by type. A3/8-4/18GDIM series notes: Factory installed dimming option 3/8" flexible metal conduit with 2-#18 power and ground wires and 2-#18 UL-listed jacketed 0-10V +/- control wires. Meets UL 66, 83, 1479, 1569, 1581, 2556, NEC® 250.118, 300.22(C), 392, 396, 398, 501, 502, 503, 530, 504, 505, 518, 520, 530, 645, 72, Federal Specification A-A-59544 (formerly J-C-30B); all applicable OSHA and HUD Requirements. UL Classified 1-, 2-, and 3-hour through penetration with applicable fire stop product (not included). May be surface mounted, fished and/or embedded in plaster. Cable tray and approved raceway rated, install per NEC®; Environmental Air-Handling Space Installation per NEC® 300.22(C). | Notes ⁽¹²⁾ 3100 and 3600 lumen options not available with Step-dim driver and with Fifth Light drivers (5LTD and 5LTHD). Integrated options must be used in conjunction with the associated system and may not be compatible with other options or accessories. Please refer to the following: (E) Consult Fifth Light system pages for additional details and compatibility. (F) Consult Marketplace Options - Lutron system pages for additional details and compatibility. Compatible only with driver series shown, and may require two or more drivers. Requires field commissioning to operate or dim. Contact Lutron at www.lutron.com . |

| Number of Drivers | Integrated Sensing Systems | Packaging | Accessories (order separately) ⁽¹²⁾ |
|---|---|---|--|
| 1 =1 Driver 2 =2 Drivers | [Blank] =No Sensor WPS (formerly WAA) =WaveLinX PRO Wireless Sensor, Occupancy w/ photocell, Networked ^(A) | U =Unit Pack PALC =Job Pack, in carton | T3A END E.Q. BRACKET PARTS BAG DF-24W-U =2' x 4' Drywall Frame Kit SMK-24-W =2' x 4' Shallow Surface Mount Kit SK-24-WT =4" Tall Surface Mount Kit, 2' x 4' |
| | Notes Integrated options must be used in conjunction with the associated system and may not be compatible with other options or accessories. Please refer to the following: (A) Consult WaveLinX system pages for additional details and compatibility. | | Notes ⁽¹²⁾ Accessories sold separately will be separately analyzed under domestic preference requirements. Consult factory for further information. |

Product Specifications

Construction

- Shallow 3-1/4" deep housing is die-formed of code gauge, prime cold rolled steel
- Heavy gauge endplates are securely attached with screws for strength and rigidity and the elimination of gaps
- End plates have integral grid-lock feature for safety and convenience
- Four auxiliary fixture end suspension points provided
- Large access plate for supply connection
- Driver can be accessed from below without tools

Integrated Controls

- 0-10V dimming to 1% standard
- Integrated WaveLinX options provide wireless individual fixture control and enable code compliance, increased energy savings, grouping of fixtures, and connection to WaveLinX control systems
- DALI 2.0, Lutron, and step-dimming available

Electrical

- LED's available in 3000K, 3500K or 4000K with a minimum CRI of 80
- Color accuracy ≤ 3 -Step MacAdam ellipse (SDCM)
- Projected life is 60,000 hours at 89% lumen output
- Electronic drivers available for 120-277V and 347V applications

Emergency Battery Options

- 120V-277V integral emergency battery pack comes in 7-watts, 10-watt, or 14-watts
- Self-diagnostic emergency battery available in 10 or 14-watts (NFPA 101@ Life Safety Code@)
- Constant power to the LED system for controlled, predictable discharge
- Integrated test switch/indicator light visible from floor
- Min. 90-minute backup period for code compliance
- Integral emergency transfer relay available for generator equipped power systems

Finish

- Multistage, iron phosphate pretreatment ensure maximum bonding and rust inhibition
- White enamel finish

Reflector

- High reflectance baked matte white enamel finish for luminous uniformity

Shielding

- Positively retained frosted acrylic profile lenses provide a soft but effective distribution of light

Compliance

- Modules are UL recognized components
- Indoor luminaires are cULus listed for 25°C ambient environments
- Complies with IESNA LM-79
- LEDs compliant with LM-80 standards
- DesignLights Consortium® Qualified and classified for both DLC Standard and DLC Premium, refer to www.designlights.org for details.

BABA Domestic Preference Compliance

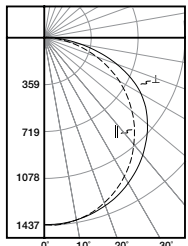
- FHWA and FTA agencies are utilizing their BAA rules for BABA compliance. Cooper's products with a BAA designation are manufactured in the US and utilize a BAA COTS exemption rule for compliance. To verify a configured product with specific accessories and options meet BABA Domestic Preference Requirements; submit this catalog number to Cooper Lighting Quotation team for validation by our Engineering and Manufacturing teams. Please refer to the DOMESTIC.PREFERENCES website or consult the CLS Domestic Preferences team for more information. Components shipped separately may be separately analyzed under domestic preference requirements.

Limited Warranty

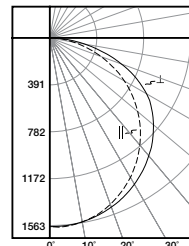
- Five-year limited warranty standard. Optional ten year limited warranty available.

Photometric Data

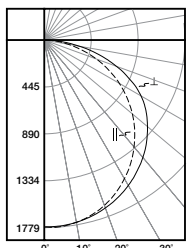
 View IES files



24AC-LD5-44-UNV-L835-CD1-U
 Electronic Driver
 Linear LED 3500K
 Spacing criterion: (II) 1.26 x mounting height,
 (⊥) 1.32 x mounting height
 Lumens: 4496
 Input Watts: 37.9W
 Efficacy: 118.6 LPW
 Test Report: 24AC-LD5-44-UNV-L835-CD1-U.IES



24AC-LD5-48-UNV-L835-CD1-U
 Electronic Driver
 Linear LED 3500K
 Spacing criterion: (II) 1.26 x mounting height,
 (⊥) 1.32 x mounting height
 Lumens: 4892
 Input Watts: 41.9W
 Efficacy: 116.7 LPW
 Test Report: 24AC-LD5-48-UNV-L835-CD1-U.IES



24AC-LD5-55-UNV-L835-CD1-U
 Electronic Driver
 Linear LED 3500K
 Spacing criterion: (II) 1.26 x mounting height,
 (⊥) 1.32 x mounting height
 Lumens: 5567
 Input Watts: 49.1W
 Efficacy: 113.4 LPW
 Test Report: 24AC-LD5-55-UNV-L835-CD1-U.IES

Energy and Performance Data

| Stock or MTO | Catalog Logic (Curved) | Delivered Lumens | Watts | Efficacy (LPW) |
|--------------|----------------------------|------------------|-------|----------------|
| MTO | 24AC-LD5-31-UNV-L830-CD1-U | 3035 | 25.4 | 119 |
| MTO | 24AC-LD5-31-UNV-L835-CD1-U | 3155 | 25.4 | 124 |
| MTO | 24AC-LD5-31-UNV-L840-CD1-U | 3218 | 25.4 | 127 |
| MTO | 24AC-LD5-36-UNV-L830-CD1-U | 3539 | 30.1 | 118 |
| MTO | 24AC-LD5-36-UNV-L835-CD1-U | 3679 | 30.1 | 122 |
| MTO | 24AC-LD5-36-UNV-L840-CD1-U | 3753 | 30.1 | 125 |
| MTO | 24AC-LD5-39-UNV-L830-CD1-U | 3835 | 32.9 | 116 |
| MTO | 24AC-LD5-39-UNV-L835-CD1-U | 3987 | 32.9 | 121 |
| MTO | 24AC-LD5-39-UNV-L840-CD1-U | 4067 | 32.9 | 123 |
| MTO | 24AC-LD5-44-UNV-L830-CD1-U | 4325 | 37.9 | 114 |
| Stock | 24AC-LD5-44-UNV-L835-CD1-U | 4496 | 37.9 | 119 |
| Stock | 24AC-LD5-44-UNV-L840-CD1-U | 4586 | 37.9 | 121 |
| MTO | 24AC-LD5-48-UNV-L830-CD1-U | 4705 | 41.9 | 112 |
| MTO | 24AC-LD5-48-UNV-L835-CD1-U | 4892 | 41.9 | 117 |
| MTO | 24AC-LD5-48-UNV-L840-CD1-U | 4990 | 41.9 | 119 |
| MTO | 24AC-LD5-55-UNV-L830-CD1-U | 5355 | 49.2 | 109 |
| Stock | 24AC-LD5-55-UNV-L835-CD1-U | 5567 | 49.2 | 113 |
| Stock | 24AC-LD5-55-UNV-L840-CD1-U | 5678 | 49.2 | 116 |
| MTO | 24AC-LD5-63-UNV-L830-CD1-U | 6069 | 57.8 | 105 |
| MTO | 24AC-LD5-63-UNV-L835-CD1-U | 6310 | 57.8 | 109 |
| MTO | 24AC-LD5-63-UNV-L840-CD1-U | 6436 | 57.8 | 111 |
| MTO | 24AC-LD5-68-UNV-L830-CD1-U | 6541 | 65.1 | 101 |
| MTO | 24AC-LD5-68-UNV-L835-CD1-U | 6800 | 65.1 | 105 |
| MTO | 24AC-LD5-68-UNV-L840-CD1-U | 6936 | 65.1 | 107 |
| MTO | 24AC-LD5-73-UNV-L830-CD1-U | 7014 | 71.0 | 99 |
| MTO | 24AC-LD5-73-UNV-L835-CD1-U | 7292 | 71.0 | 103 |
| MTO | 24AC-LD5-73-UNV-L840-CD1-U | 7438 | 71.0 | 105 |

Lumen Maintenance

| Ambient Temperature | TM-21 Lumen Maintenance (60,000 hours) ⁽¹⁾ | Theoretical L70 (Hours) ⁽²⁾ |
|---------------------|---|--|
| 25°C | > 89% | > 193,000 |

Notes: (1) Supported by IES TM-21 standards. (2) Theoretical values represent estimations commonly used; however, refer to the IES position on LED Product Lifetime Prediction, IES PS-10-18, that explains proper use of IES TM-21 and LM-80.

Shipping Data

| Catalog No. | Wt. |
|-------------|---------|
| 24AC-LD5-44 | 21 lbs. |
| 24AC-LD5-55 | 21 lbs. |

Control Solutions

- WaveLinX LITE wireless
- WaveLinX PRO wireless
- WaveLinX CAT wired
- WaveLinX Wired



The Accord LED with WaveLinX offers no-hassle lighting control with multiple luminaire level control solutions.



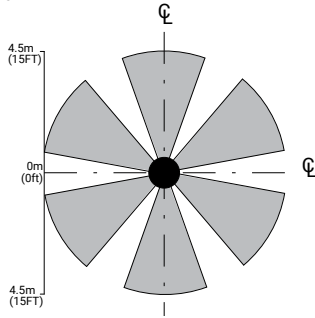
WaveLinX PRO is a wireless lighting control solution, for connected spaces, that significantly reduces a building's energy consumption. From a single floor to an entire campus, WaveLinX PRO connects more than lighting assets; it shares aggregated sensor data with the WaveLinX CORE platform and other building systems, so building owners can improve operations, spaces environment, and tenants' experience. WaveLinX PRO offers a rich portfolio of wireless devices, WaveLinX PRO-enabled luminaires, and an intuitive WaveLinX mobile app for office, education, warehouse, and parking garage applications.



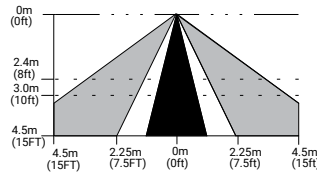
WaveLinX LITE is a cost effective, wireless digital lighting control solution, with out-of-the-box functionality, that saves energy and meets code. It's designed for applications that require occupancy-based, daylighting, or manual light control. Customize installations for office, education, warehouse and parking garages using the secure, simple mobile app.

Integrated Sensor Coverage Pattern

TOP VIEW:

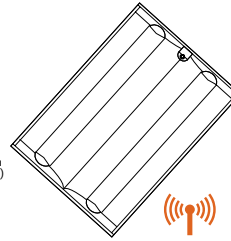


SIDE VIEW:

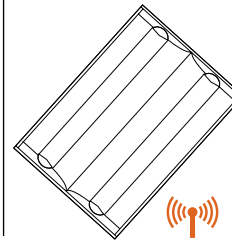


Note: Installation of integrated sensors within 3-ft (1m) of HVAC air vents is not recommended. The pattern shown is intended solely as a general guide and is not to scale.

With Integrated WaveLinX Sensor



With Integrated WaveLinX Node



Add a hidden WaveLinX sensor node (WPN, WLN) to your space lighting design!

Allows to:

- Keeps luminaire aesthetics
- Connect fixtures without the realestate to include sensor option such as downlights
- Connect sealed fixtures without a standard sensor option such as products for clinical space.

Integrated Controls Options

| Option | Out of the Box Functionality | Luminaire Level Lighting Control (LLC) | Automatic Dimming Photocell | Occupancy Sensing | CCT Control* |
|--------|------------------------------|--|-----------------------------|-------------------|--------------|
| WLS | X | X | X | X | |
| WLN | | X | | | |
| WPS | | X | X | X | X |
| WPN | | X | | | X |

Note: *WaveLinX utilizes scenes to allow users to change an area's fixtures Correlated Color Temperature (CCT) and intensity using a commissioned wireless wallstation scene controller. To enable CCT adjustments through WaveLinX, include WPS or WPN devices in addition to VividTune or BioUp technologies for integrated fixture control. WPS with CCT controls the intensity of the fixture; an additional, externally mounted control device is needed to control the CCT. See [RSP-P-010-347](#). The WPNPS option is available with WLS or WPS sensors. Must be specified when ordered. Also note that WLS and WPS are also compatible with ESP-L-010-347 and ESP-P-010-347, respectively. Learn more about WaveLinX EM [here](#).

Systems comparison chart

Cooper Lighting Solutions provides many lighting system solutions designed to satisfy code requirements and meet the unique needs of any project.



Luminaire with standalone sensor



Standalone Spaces WaveLinX LITE



Standalone Spaces WaveLinX CAT



Networked Spaces WaveLinX PRO



Enterprise WaveLinX CORE

| | Luminaire with standalone sensor | Standalone Spaces WaveLinX LITE | Standalone Spaces WaveLinX CAT | Networked Spaces WaveLinX PRO | Enterprise WaveLinX CORE |
|--------------------------|----------------------------------|---------------------------------|--------------------------------|-------------------------------|----------------------------|
| Occupancy | Yes | Yes | Yes | Yes | Yes |
| Daylighting | Yes | Yes | Yes | Yes | Yes |
| Wallstations | - | Yes | Yes | Yes | Yes |
| Gateways | - | - | - | 1 WAC | 300 WACs |
| Devices (MAX) | - | 40 per Area (1120 per space) | 40 per Area | 200 per WAC2 | 32,500 per CORE Enterprise |
| Software | - | WaveLinX LITE Mobile App | WaveLinX CAT Mobile App | WaveLinX Mobile App | CORE |
| Areas | - | 28 per Space | Unlimited | 50 per WAC2 | up to 3,000 |
| Zones | - | 16 per Area | 16 per Area | 16 per Area | up to 9,000 |
| Scheduling | - | - | - | Local | Global |
| VividTune™ | - | - | - | Yes | Yes |
| Plug-Load Control | - | Yes | Yes | Yes | Yes |
| Low-Voltage Power | - | - | Yes | Yes | Yes |
| Integration | - | - | - | - | BACnet, API |
| Dashboards | - | - | - | - | Energy, Occupancy |
| Configuration | - | Installer | Installer | Technician | Technician / IT |