

**DESCRIPTION**

Recessed regressed lens wall wash luminaire with 4 inch square aperture utilizing a low voltage MR16 lamp. Modular platform can be reconfigured from below the ceiling to accept a broad range of lamp modules and optical elements. Platform is suitable for 2x6 residential or shallow plenum commercial constructions. Insulation must be kept 3" from top and sides of housing. Platform + module + optical element combination provides smooth vertical illumination with a minimal downlight component.

<b>Catalog #</b>		<b>Type</b>
<b>Project</b>		
<b>Comments</b>		<b>Date</b>
<b>Prepared By</b>		

**SPECIFICATION FEATURES**

**Mechanical Frame**

Pre-galvanized steel plaster frame with integral bar hanger receivers. Setscrews provide positive horizontal locking.

**Collar**

Matte black steel collar adjusts vertically for 1/2" - 1" thick ceilings and can be rotated ± 7.5° thru the aperture. Integral gun sights facilitate the use of guide strings or laser lines. Shipped with a paint overspray protector.

**Housing**

Steel housing painted matte black for a visually dark interior. Removable hinged top allow for top re-lamp. All fasteners are captive.

**Gasket**

Closed cell gaskets achieve restrictive airflow requirements without additional caulking.

**Universal Mounting Bracket**

Accepts 1/2" EMT, C channel and bar hangers and adjusts 3" vertically from above the ceiling.

**Bar Hangers**

Captive preinstalled bar hangers adjusts from 8-1/2" to 24" wide; pass thru feature allows shortening without removal. Captive nail penetrates standard and engineered lumber. Mounting flange levels platform with ceiling. Integral clip attached directly to t-bar.

**Optical Lamp Module**

Field adjustable bracket maintains precise lamp aiming. Ceramic GX5.3 lamp holder mounts to an aluminum heat sink for long lamp life. Easily removed for lamp replacement and connects to the transformer with an inline connector for rapid socket replacement.

**Lower Splay**

Angle cut die cast aluminum splay with seamless corners provides cutoff to lens. Neutral color glass linear spread lens provides smooth vertical illumination with a minimal downlight component. Spring loaded to allow removal when installed rimless. Available in selfflanged or rimless versions.

**Optical Element Retention**

Mousetrap springs pull flange tight to ceiling. Gasket eliminates spill light at edge of flange.

**Junction Box**

(7) 1/2" trade size pry outs, (3) integral clamps for non-metallic cable. Rated for (8) #12 thru branch conductors. Wago® type push wire connectors for field connections.

**Transformer**

Integral dual output toroidal magnetic transformer, 120V 50/60Hz input 12V nominal 75VA maximum output. Separate output for circuits controlled by dimmers compensates for losses, improves color temperature and lumen output.

**Thermal Protector**

Self resetting thermal protector protects against improper lamping and direct contact with insulation.

**Code Compliance**

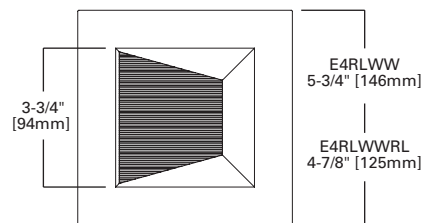
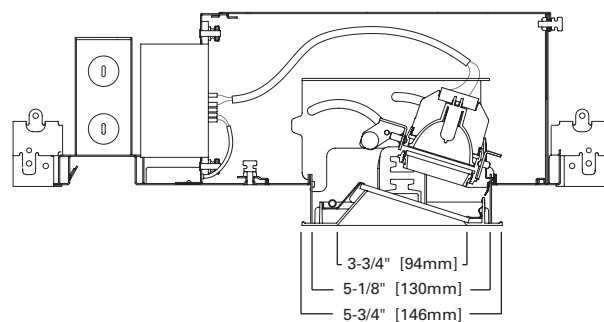
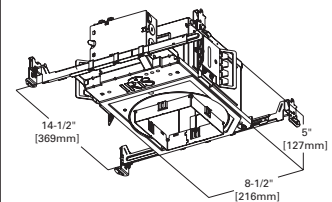
Thermally protected, IP labeled, cULus listed for wet locations and ASTM-E283 airtight. Peel down wattage labels for restricted LPD requirements. Optional City of Chicago environmental air (CCEA) marking for plenum applications.



**P406TAT  
MV4MR  
E4RLWW**

**75W MR16  
Tungsten-Halogen**

**4 Inch Square Aperture  
Regressed Lens Wall Wash**



ENERGY DATA		
Lamp Wattage (Nominal)	Input Power (Watts)	Input Current (Amps)
20	21	0.17
35	37	.031
37	39	0.32
42	44	0.37
50	53	0.44
65	69	0.57
71	76	0.63
75	81	0.67

**ORDERING INFORMATION:** Complete unit consists of platform, lamp module and optical element.


Example: P406TAT + MV4MR + E4RLWW

Platform	Lamp Module	Optical Element	Texture	Finish	Flange	Accessories
<b>P406TAT</b> = 4" Square Aperture Non-IC Housing <b>P406TCP</b> = 4" Square Aperture Non-IC Chicago Plenum Housing	<b>MV4MR</b> = Verticle / wall wash MR16 lamp module, 120V input	<b>E4RLWW</b> = 4" regressed lens wall wash	[Blank] = Smooth	<b>Painted Finishes</b> [Blank] = Matte white <b>MB</b> = Matte black <b>W</b> = Gloss white <b>Plated Finishes</b> <b>SAL</b> = Satin aluminum <b>SN</b> = Satin nickel	[Blank] = Self Flanged <b>RL</b> = Rimless, use with rimless adapter	<b>RA4X4</b> = Rimless adapter for 4" elements <b>PLR4X4</b> = Plaster Lathing Ring <b>RLA4X4</b> = Rimless Adapter

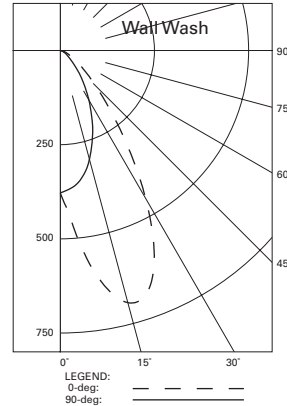
**PHOTOMETRICS**

P406TAT MV4MR E4RLWW

**Photometric Results**

Efficiency = 50.4%
Test No. P12926
Platform = P406TAT
Element = E4RLWW
Lumens = 884
Lamp = MR16/50W


**Candlepower Distribution**



**Candelas**

Vertical Angle	CD
90	0
85	0
75	2
65	12
55	23
45	50
35	111
25	199
15	299
5	365
0	378

**Zonal Lumens Summary**

Zone	Lumens	% Lamp	% Luminaire
0- 30	253	28.6	56.8
0- 40	346	39.1	77.6
0- 60	426	48.2	95.6
0- 90	446	50.4	100.0
90- 180	0	0.0	0.0
0- 180	446	50.4	100.0

**Single Unit Footcandles**

**Multiple Unit Footcandles**

DD	2' from wall (distance from fixture along wall)				2' from wall (spacing between fixtures)						3' from wall (spacing between fixtures)					
	■	1'	2'	3'	■	2'	■	■	3'	■	■	3'	■	■	4'	■
1	4.9	3.3	1.0	0.2	6.0	6.6	6.0	5.1	3.8	5.1	1.6	1.7	1.6	1.4	1.1	1.4
2	11.8	7.4	2.6	0.7	14.4	14.8	14.4	12.5	9.1	12.5	4.0	4.1	4.0	3.6	3.0	3.6
3	14.9	10.2	4.2	1.4	19.1	20.4	19.1	16.3	13.5	16.3	6.4	6.6	6.4	5.7	4.8	5.7
4	12.3	9.3	4.6	1.9	16.9	18.5	16.9	14.1	13.6	14.1	8.2	8.5	8.2	7.3	6.5	7.3
5	8.4	6.8	4.0	2.0	12.4	13.7	12.4	10.3	10.9	10.3	8.4	9.1	8.4	7.4	7.2	7.4
6	5.5	4.7	3.2	1.8	8.6	9.4	8.6	7.2	8.0	7.2	7.5	8.2	7.5	6.6	6.8	6.6
7	3.6	3.2	2.4	1.5	6.0	6.4	6.0	5.1	5.7	5.1	6.2	6.8	6.2	5.4	5.8	5.4
8	2.4	2.2	1.8	1.2	4.2	4.5	4.2	3.7	4.1	3.7	4.9	5.4	4.9	4.3	4.7	4.3
9	1.7	1.6	1.3	1.0	3.0	3.2	3.0	2.7	2.9	2.7	3.8	4.2	3.8	3.4	3.8	3.4
10	1.2	1.2	1.0	0.8	2.2	2.3	2.2	2.0	2.2	2.0	3.0	3.2	3.0	2.7	3.0	2.7