

Installation Instructions – Hugo Surface Mount LED Luminaire

 **WARNING**

Risk of Fire, Electrical Shock, Cuts or other Casualty Hazards- Installation and maintenance of this product must be performed by a qualified electrician. This product must be installed in accordance with the applicable installation code by a person familiar with the construction and operation of the product and hazards involved.



Risk of Fire and Electric Shock- Make certain power is OFF before starting installation or attempting any maintenance. Disconnect power at fuse or circuit breaker.



Risk of Fire- Minimum 90°C supply conductors.



Risk of Personal Injury- Due to sharp edges, handle with care.

Failure to comply with these instructions may result in death, serious bodily injury and property damage.

DISCLAIMER OF LIABILITY: Cooper Lighting Solutions assumes no liability for damages or losses of any kind that may arise from the improper, careless, or negligent installation, handling or use of this product.

IMPORTANT: Read carefully before installing fixture. Retain for future reference.

NOTICE: Green ground screw provided in proper location. Do not relocate.

NOTICE: Fixture may become damaged and/or unstable if not installed properly.

Note: Specifications and dimensions subject to change without notice.

ATTENTION Receiving Department: Note actual fixture description of any shortage or noticeable damage on delivery receipt. File claim for common carrier (LTL) directly with carrier. Claims for concealed damage must be filed within 15 days of delivery. All damaged material, complete with original packing must be retained.

A) Installing Individual Mount / First Fixture in Continuous Row

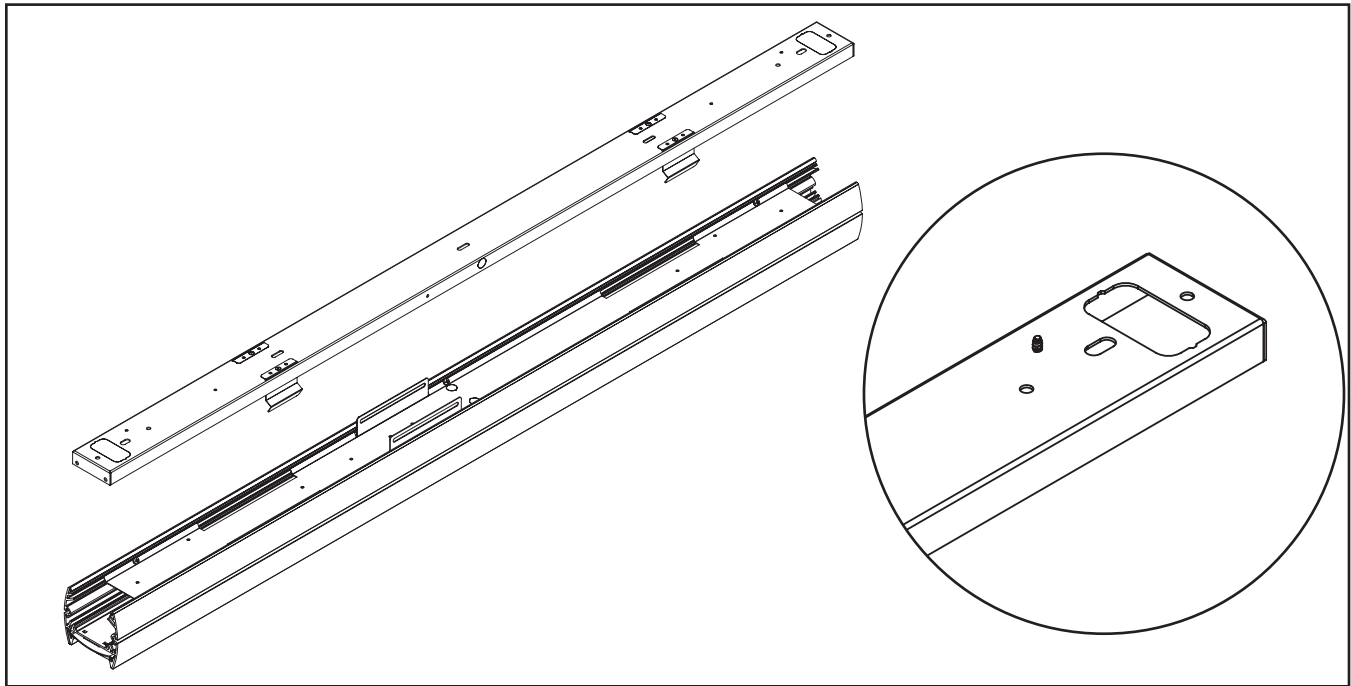


Figure 1.

1. Remove ceiling surface mount bracket from housing.
2. Twist to remove electrical knockout from power mount side.
3. Attach surface mount bracket to either of the following: 2x4 J-Box, 4x4 Octagonal J-Box, or Grid system through provided mounting holes.
4. Reattach grounding strap to the surface mount bracket with grounding screw.
5. Secure bracket to ceiling using appropriate hardware (Provided by Others). Recommended 1 screw per foot.

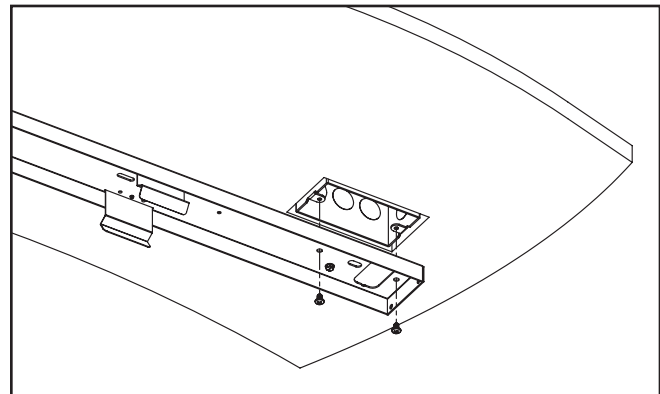


Figure 2.

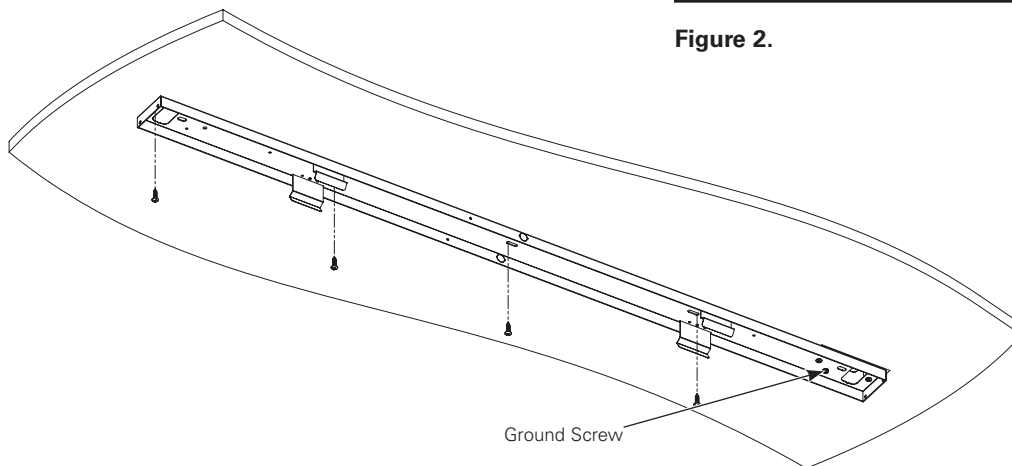


Figure 3.

Installation Instructions – Hugo Surface Mount LED Luminaire

6. Bring fixture to ceiling and secure to the bracket via the provided safety cables.

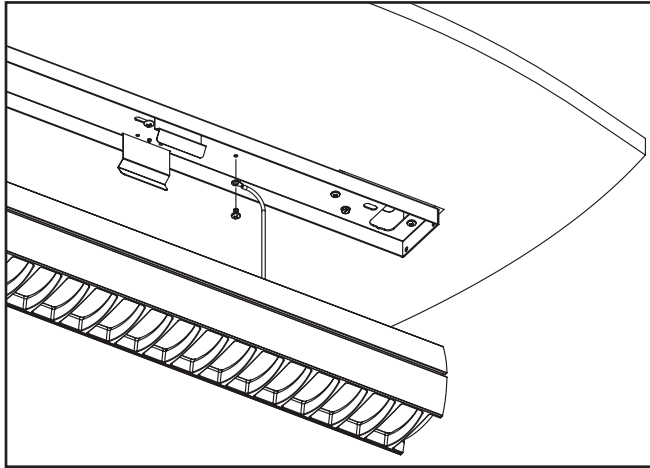


Figure 4.

7. Make all electrical connections.

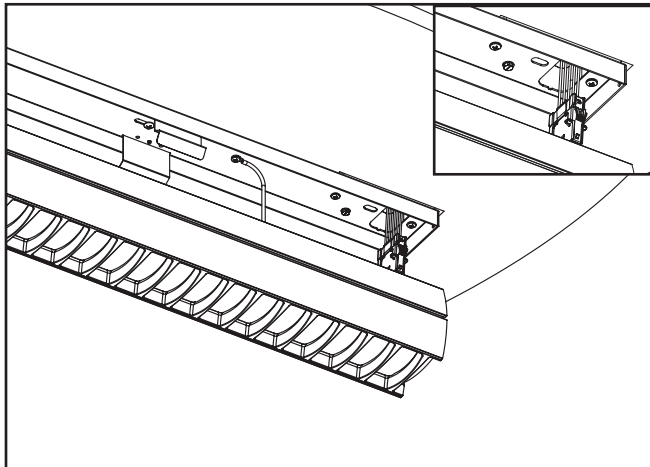


Figure 5.

8. Snap fixture onto the surface mount bracket, ensuring that the fixture has fully engaged.

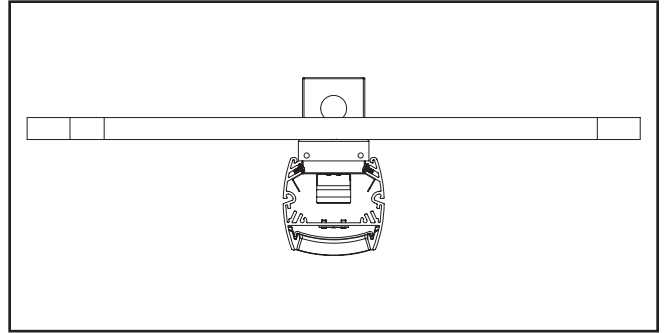


Figure 6.

9. Install supplied safety screws on the sides of the surface bracket.

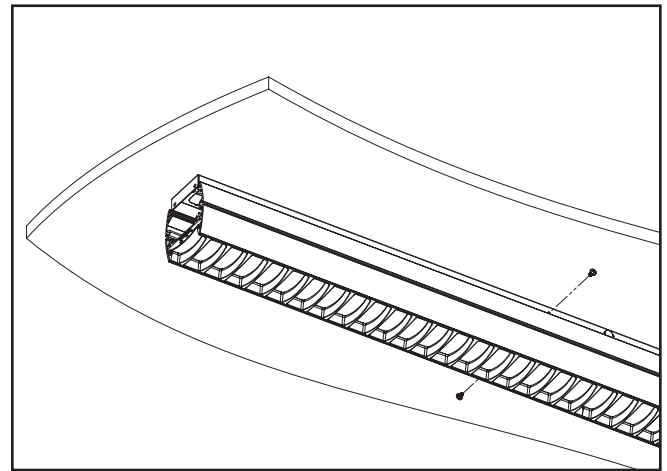


Figure 7.

B) Installing Continuous Row Mount

Note: If installing individual fixtures, please skip to “End Cap Installation”

1. Install first fixture in continuous row in accordance with steps A-1 through A-9.
2. Bring second surface mount bracket to ceiling.

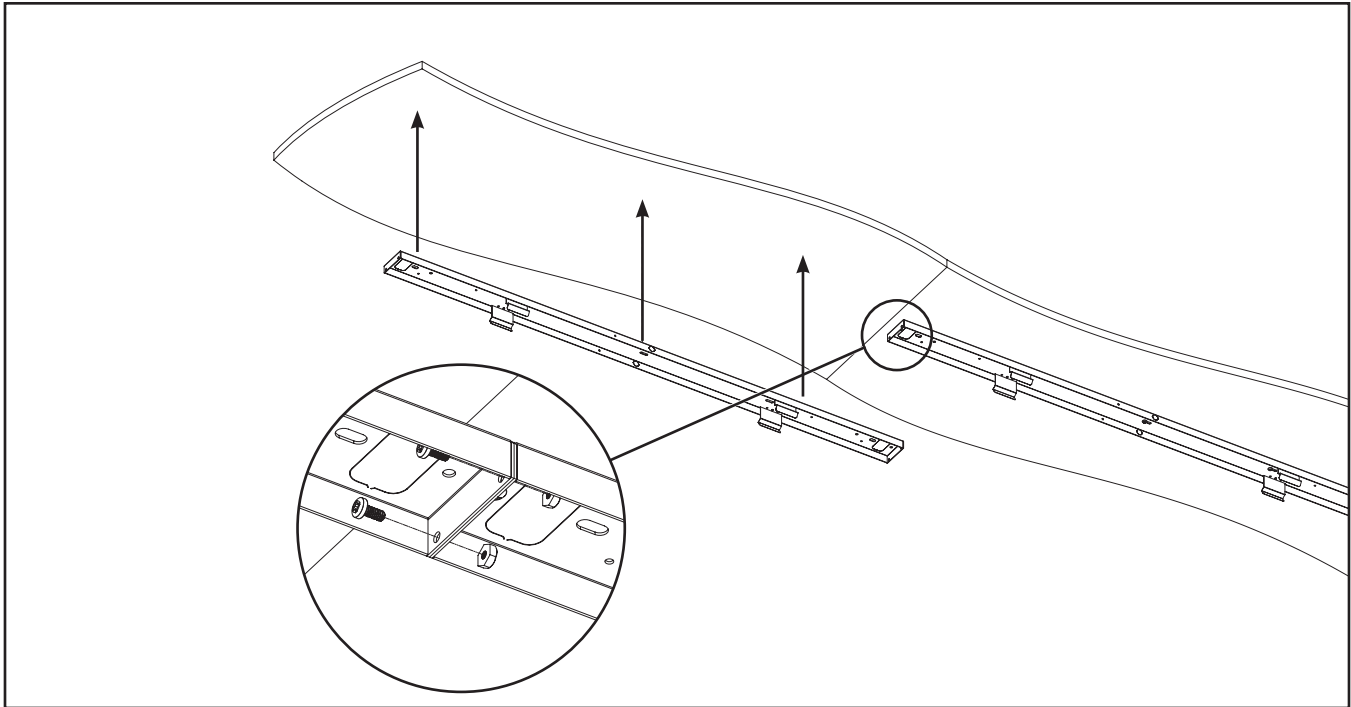


Figure 8.

3. Join to first bracket via provided (2x) screws and (2x) nuts.
4. Secure bracket to ceiling using appropriate hardware (Provided by Others). Recommended 1 screw per foot.
5. Bring fixture to ceiling and secure to the bracket via the provided safety cables.

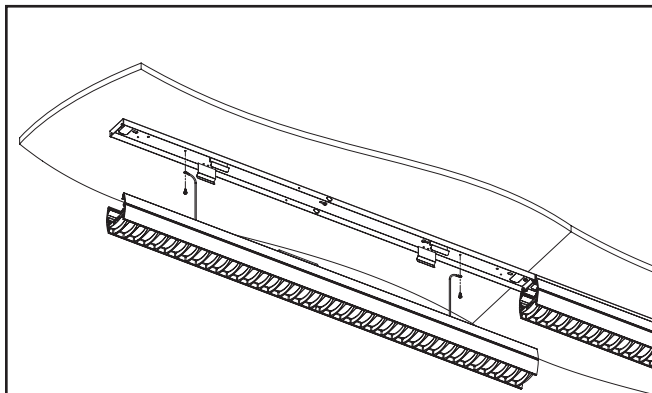


Figure 9.

6. Snap fixture to the surface bracket and install supplied safety screws on the sides of the surface bracket.

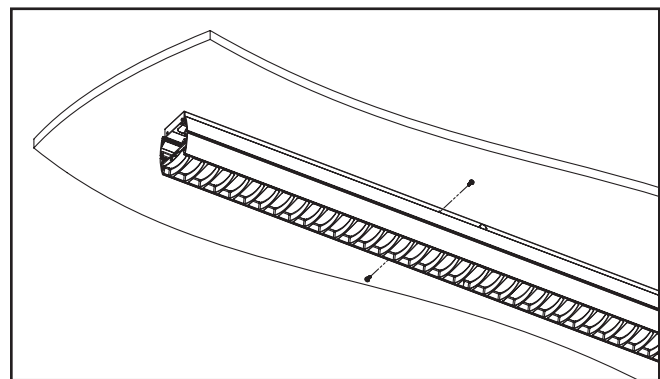


Figure 10.

7. Slide fixtures apart and install provided (2x) biscuits.
8. Make electrical joint connections.

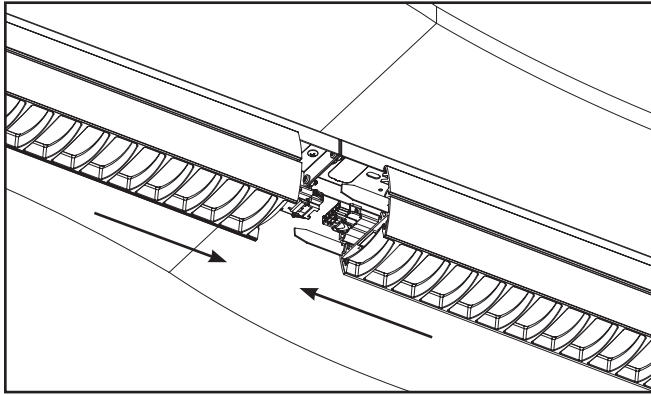


Figure 11.

9. Slide fixtures together.

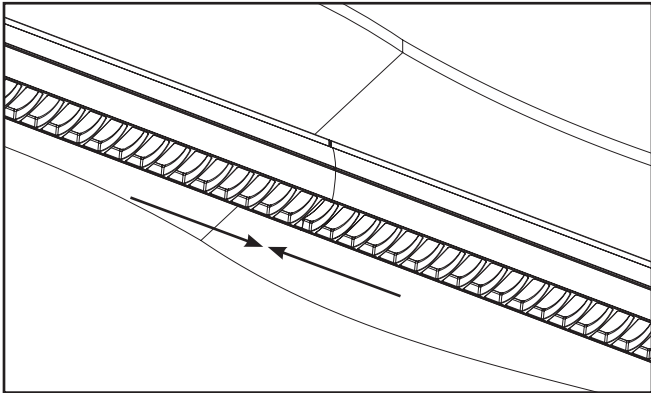


Figure 12.

10. Slide lensing apart to reveal joint bracket mounting holes. Fasten together with provided (4x) screws.

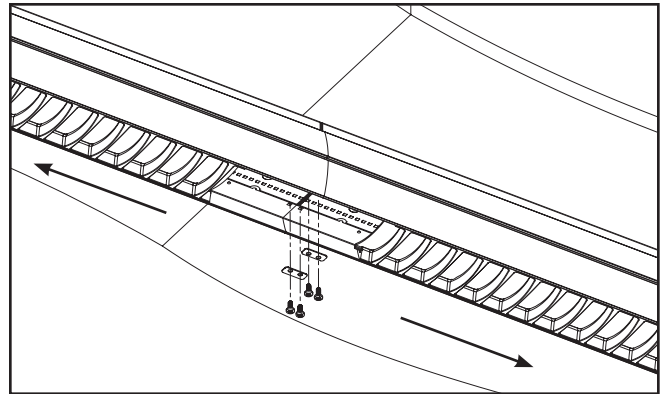


Figure 13.

C) End Cap Installation

1. Secure end cap to housing using the provided (2x) #8-18 screws.
2. Push end cap cover over the end of the end cap, until 3M Dual Lock engages.

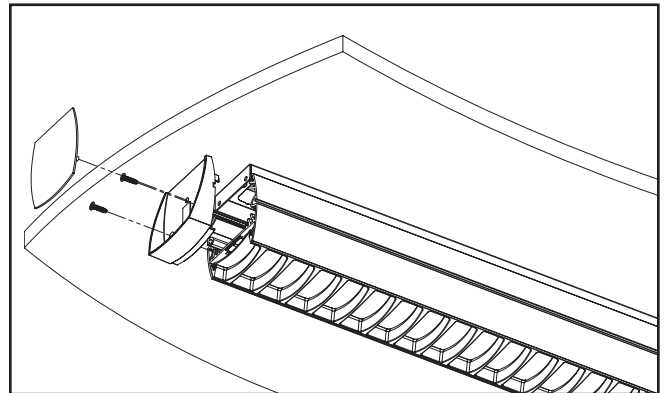


Figure 14.

Warranties and Limitation of Liability

Please refer to www.cooperlighting.com for our terms and conditions.

Garanties et limitation de responsabilité

Veuillez consulter le site www.cooperlighting.com pour obtenir les conditions générales.

Garantías y Limitación de Responsabilidad

Visite www.cooperlighting.com para conocer nuestros términos y condiciones.

Cooper Lighting Solutions
1121 Highway 74 South
Peachtree City, GA 30269
P: 770-486-4800
www.cooperlighting.com

© 2023 Cooper Lighting Solutions
All Rights Reserved
Printed in USA
Imprimé aux États-Unis
Impreso en los EE. UU.
Publication No. IB0508001EN
October 25, 2023

Cooper Lighting Solutions is a registered trademark. All trademarks are property of their respective owners.

Cooper Lighting Solutions est une marque de commerce déposée. Toutes les autres marques de commerce sont la propriété de leur propriétaire respectif.

Cooper Lighting Solutions es una marca comercial registrada. Todas las marcas comerciales son propiedad de sus respectivos propietarios.

Product availability, specifications, and compliances are subject to change without notice

La disponibilité du produit, les spécifications et les conformités peuvent être modifiées sans préavis

La disponibilidad de productos, las especificaciones y los cumplimientos están sujetos a cambio sin previo aviso