

DESCRIPTION

Monaco 3000 series is a small scale, versatile, LED, HID or incandescent inground illuminator for use with T4.5, T6, T3.5; PAR20 and PAR30 metal halide lamps or LED. The adjustable versions, 3000A, 3001A and 3002A provide up to 25° tilt and 360° rotation of the lamp beam allowing for precision aiming. The non-adjustable versions, 3000N, 3001N and 3002N provide a fixed uplight. The optional cool lens - dual lens helps reduce the temperature of the outer lens making it more walk-over friendly and allows this fixture to be used in pedestrian areas.

Catalog #		Type	
Project			
Comments		Date	
Prepared by			

SPECIFICATION FEATURES

Construction

Recessed housing is constructed from corrosion-proof, injection molded polyphenylene sulfide (PPS). Trim ring is constructed from corrosion-resistant brass or stainless steel.

Finish

Painted trim rings are constructed from solid brass with a polyester powdercoat paint finish, surpassing the rigorous demands of the outdoor environment. A variety of standard colors available. Machined natural brass or stainless steel trim rings are unpainted to reveal the natural beauty of the material and are available in either round or square forms (for square, specify option -SQ). Brass will patina naturally over time. Options to meet Buy American Act requirements

Lens

Domed 1/2" thick tempered glass lens, factory sealed with high temperature gasket to prevent water intrusion. Suitable for drive-over applications

to 5000 lbs. An internal temperature reduction lens is available to reduce outer lens temperatures even further (specify option -TRL).

Hardware

Stainless steel hardware is standard to provide maximum corrosion-resistance. Outer trim ring includes captive fasteners.

Socket

T4.5: Ceramic socket with 250° CTeflon® coated lead wires and G12 bi-pin base.
 T6: Ceramic socket with 250° CTeflon® coated lead wires and G12 bi-pin base.
 T3.5: Ceramic socket with 250° CTeflon® coated lead wires and PGJ5 twist and lock base. PAR20: Ceramic socket with 250°C Teflon® coated lead wires and medium base.

Electrical

Incandescent fixtures 120V only.

Labels & Approvals

UL and cUL listed, standard wet label. IP68 rated. Manufactured to ISO 9001-

2000 Quality Systems Standard.

Warranty

Lumiere warrants it's fixtures against defects in materials & workmanship for three (3) years. Auxiliary equipment such as transformers, ballasts and lamps carry the original manufacturer's warranty.

Recessed Housing

Recessed housing is available to ship in advance of complete fixture for rough-in purposes. Specify option -LBB and order recessed housing and accompanying components from below:

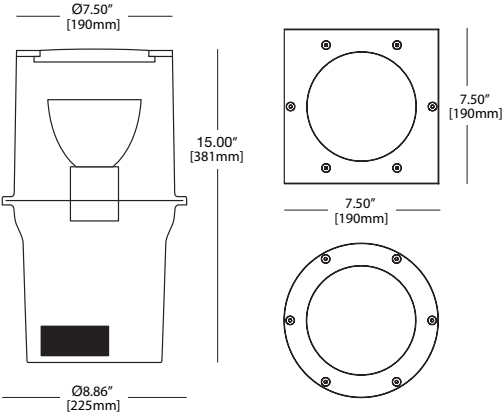
- 3000-BBR
- 3000-BBS
- Recessed housing.

- 3000-BBR-FUS
- 3000-BBS-FUS
- Recessed housing with fusing option.

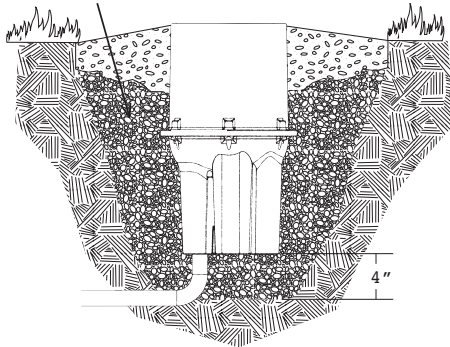


Monaco 3001A

**Incandescent - Adjustable
 Inground
 50W (max.) PAR 20
 75W (max.) PAR 30
 IP68**



Gravel Backfill



Warning

To prevent water, dirt and debris from collecting, install fixture to allow runoff. Do not install fixture in areas where water can collect for long periods of time. Appropriate drainage must be provided. See installation instructions and review all warnings before installing fixture.

ORDERING INFORMATION

Sample Number: 3001A-RD-PAR20-CLR-120-BZ

Domestic Preferences ¹	Series	Aiming	Trim	Source	Top Glass	Voltage	Finish ³	Other
[Blank]=Standard BAA=Buy American Act	3001=Incandescent	A=Adjustable aiming	RD=Round SQ=Square	PAR20=PAR20 Up to 20W Medium Base, 120V Only PAR 30=PAR30 Up to 75W Medium Base, 120V Only	CLR=Clear top glass DIF=Diffuse top glass NSL=Non-slip lens	120=120V	Painted BK=Black BZ=Bronze CS=City Silver VE=Verde WT=White	LBB = Less back box FUS = Fusing TRL = Temperature Reduction Lens

NOTES: **1** Only product configurations with this designated prefix are built to be compliant with the Buy American Act of 1933 (BAA). Please refer to [DOMESTIC PREFERENCES](#) website for more information. Components shipped separately may be separately analyzed under domestic preference requirements. **2**. Accessories sold separately will be separately analyzed under domestic preference requirements. Consult factory for further information. **3**. Consult factory for premium/natural metals material finish.

ACCESSORIES ²

Filters	Temperature Reducing Lens	Optical Lenses	Optical Louver	Light Control	Top Glass	Line Voltage Halogen
F71-38 =Peach Dichroic Filter, 4.95" Dia F72-38 =Amber Dichroic Filter, 4.95" Dia F73-38 =Green Dichroic Filter, 4.95" Dia F74-38 =Medium Blue Dichroic Filter, 4.95" Dia F75-38 =Yellow Dichroic Filter, 4.95" Dia F76-38 =Red Dichroic Filter, 4.95" Dia F77-38 =Dark Blue Dichroic Filter, 4.95" Dia F78-38 =Light Blue Dichroic Filter, 4.95" Dia F79-38 =Neutral Density Dichroic Filter, 4.95" Dia F80-38 =Magenta Dichroic Filter, 4.95" Dia F22-38 =Red Color Filter, 4.95" Dia F33-38 =Blue Color Filter, 4.95" Dia F44-38 =Green Color Filter, 4.95" Dia F55-38 =Yellow Color Filter, 4.95" Dia F66-38 =Mercury Vapor Color Filter, 4.95" Dia	TRL3 =for T3, T4, T6 PAR20 lamp only TRL-38 =for PAR30L	LSL-38 =Linear Spread Lens (elongate standard beam spread), 4.95" Diameter DIF-38 =Diffused Lens (provide even illumination), 4.95" Diameter OSL-38 =Overall Spread Lens (increase beam spread), 4.95" Diameter	PAR20 =PAR20 Up to 20W Medium Base, 120V Only PAR 30 =PAR30 Up to 75W Medium Base, 120V Only Debris/Concrete Pour Covers 3000-CPR =Round Debris Cover 3000-CPS =Square Debris Cover	3000-RG =Rock Guard 3000-SG =Straight Glare Shield	3000-CLR =Clear top glass 3000-DIF =Diffused top glass 3000-NSL =Non slip lens Electrical 3000-FUS =Fusing package	HP2035-NSP =35W PAR20 Halogen Narrow Spot, Medium Base HP2035-NFL =35W PAR20 Halogen Narrow Flood, Medium Base HP2050-NSP =50W PAR20 Halogen Spot, Medium Base HP2050-SP =50W PAR20 Halogen Spot, Medium Base HP2050-NF =50W PAR20 Halogen Narrow Flood, Medium Base HP3050-NSP =50W PAR30 Halogen Narrow Spot, Medium Base HP3050-SP =50W PAR30 Halogen Spot, Medium Base HP3050-NFL =50W PAR30 Halogen Narrow Flood, Medium Base HP3075-NSP =75W PAR30 Halogen Narrow Spot, Medium Base HP3075-SP =75W PAR30 Halogen Spot, Medium Base HP3075-NFL =75W PAR30 Halogen Narrow Flood, Medium Base HP3075-FL =75W PAR30 Halogen Flood, Medium Base

INSTALLATION

- Caution: To prevent water, dirt and debris from collecting, install fixture to allow runoff. Do not install fixture in areas where water can collect for long periods of time. Appropriate drainage must be provided.
- Excavated hole must be approximately 15" in diameter by 20" in depth. Fixture must be installed with a minimum 4" depth of pea gravel or equivalent drainage base. Backfill an additional 8" depth of pea gravel on lower portion of fixture for soil stability. For more detailed installation instructions and warnings consult factory.