

DESCRIPTION

MWS-5LT, Modular Wiring Systems with DALI Control, provides low cost installation of both power for lighting and Class 1 control wiring for use with Fifth Light DALI systems. Using modular components that plug together, MWS-5LT can be installed in a fraction of the time of hardwiring both lighting and control. Plus, MWS-5LT offers the advantage of relocating fixtures and DALI control devices for future renovations.

The MWS Fixture Fitting with DALI Control (FF-5LT) feeds power and control to any lighting fixture, while allowing the power and control to feed through to the next fixture.

MWS Switch Drops can be connected in front of a Fixture Fitting to introduce local switching.

DESIGN FEATURES

- UL Listed under Standard 183 for make or break under load.
 - Meets requirements of Article 604 of the National Electrical Code.
 - MWS components assembled with 12 AWG conductors rated at 20 amperes with full size ground wire.
 - Copper conductors with THHN insulated wire rated at 90°C.
 - 6" pre-stripped FF leads are 18AWG TFN. All leads come with pushwire connectors.
 - Valox 365 constructed contact housing approved for environmental air plenums.
 - Powers fixture and allows circuit to feed through to next fixture.
 - Positive self-grounding locking clip fits into any 1/2" KO on fixture.
- All unused outlets require a MWS dust cover. MWS **ST**, **SP**, **SD**, **CT** and **TC** are shipped with one dust cover attached.

Catalog #		Type	
Project		Date	
Comments			
Prepared by			

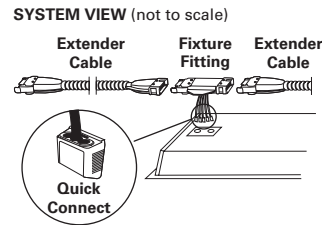
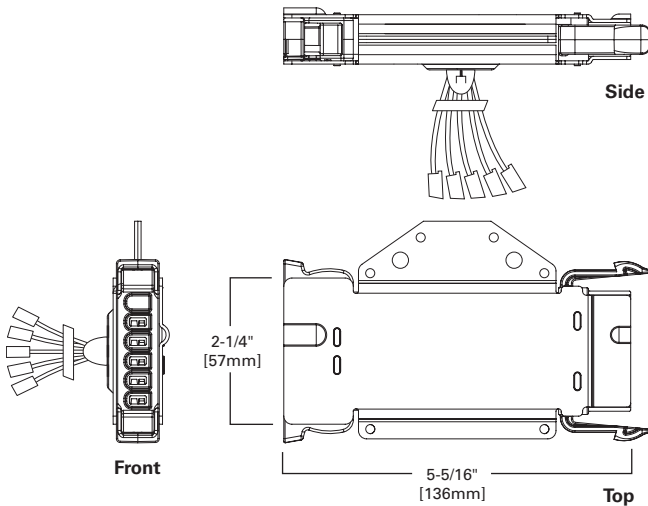


FF-5LT

FIXTURE FITTING (FF)
Modular Wiring System



DIMENSIONAL DATA



Fixture Fitting (FF)
Feeds power and control to fixture and allows circuit and control to be carried through to other fixtures. Locks into 1/2" KO of access plate, fixture body or J-box. The FF adds only 7/8" to overall height of the fixture.

Typical MWS Wiring System Application shown utilizing (FF).

Consult MWS Installation, Application and Specification Manual for additional comprehensive system information.

ORDERING INFORMATION

SAMPLE NUMBER: 27FF12/4G5LT

FF			
Voltage 12=120V 27=277V	Component FF=Fixture Fitting	Conductors and Size 12/4G=#12, 4 Conductors Plus Ground	Options 5LT

Specifications & dimensions subject to change without notice. Consult your Cooper Lighting Solutions Representative for availability and ordering information.

SHIPPING DATA

Unit	Standard
Wt.	Qty./Carton
1 lb.	32

MWS AUTOCAD DRAFTING

MWS offers AutoCAD drafting to layout MWS, providing the contractor with additional benefits.

MWS design layout time is reduced.

Bills of material are computer-generated guaranteeing accuracy.

MWS drawing symbols and details standardized.

Layouts are available on CD or e-mail.

To utilize this service and for additional information, contact the MWS Sales Department (888) 487-4887.

All electrical boxes, conduit, connections and switches by others.

Install dust covers on unused open ends.

Scale is exaggerated on fixtures and MWS system applications.