

Project		Catalog #		Type	
Prepared by		Notes		Date	



# HALO

## HLB6 6" 0-10V Slim Canless LED Downlight

Its 1/2"-thin design allows the HLB to be installed under obstructions that are hidden above the ceiling. Canless installation means the fixture mounts directly to the ceiling – no housing required. The 5-color selectability and flicker-free 5% 0-10V dimming allow for easy lighting customization.

**Typical Applications** Residential

### Interactive Menu

- Order Information [page 2](#)
- Product Specifications [page 3](#)
- Energy Data [page 3](#)
- Photometric Data [page 3](#)
- Product Warranty
- Dimming Guide



Refer to ENERGY STAR® Certified Products List.  
Can be used to comply with California Title 24 High Efficacy requirements.<sup>1</sup>  
Certified to California Appliance Efficiency Database under JAB.



### Top Product Features

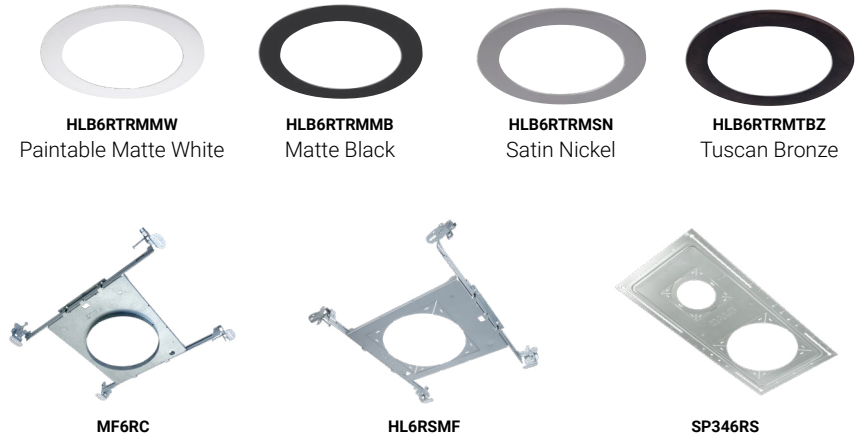
- Round 6" slim canless downlight suitable for installation in IC (insulation contact) or non-IC applications
- Canless springs hold fixture to ceiling – no housing required
- **Lens & Trim:** Slim die-cast aluminum trim with prismatic lens
- **Color Temperature (CCT):** 5-color Field-SeleCCTable (2700K, 3000K, 3500K, 4000K, 5000K); 90+ CRI
- **Brightness (Lumens):** delivers up to 1150 lumens
- **Dimming:** Dims to 5% (0-10V) with compatible dimmers; 120-277V input
- AIR-TITE, wet location-listed, and ENERGY STAR®
- 50,000 hrs of maintenance-free operation in damp or wet locations
- 5-year warranty

## Order Information

Catalog Number	Module	Lumens (nominal)	CRI/CCT	Driver	Finish	Packaging
HLB6099FSE010MWR	6-inch Round Slim Canless LED Downlight	900 lumens	90+ CRI, 5-color Field-SeleCCTable™ CCT: 2700/3000/3500/4000/5000K	5% 0-10V Dimming, 120V-277V 60Hz	Matte White	Recyclable 4-color plastic-free packaging

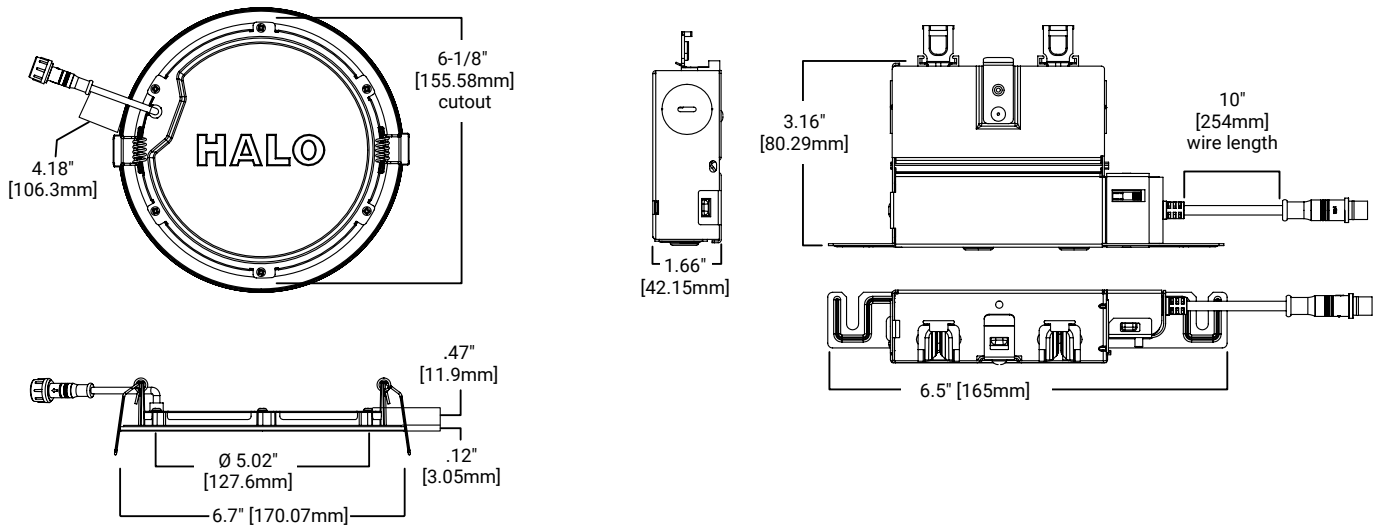
## Accessories (sold separately)

Accessories
<b>Decorative Overlays</b> <b>HLB6RTRMMW</b> = 6" Round Decorative Overlay, Paintable Matte White <b>HLB6RTRMMB</b> = 6" Round Decorative Overlay, Matte Black <b>HLB6RTRMSN</b> = 6" Round Decorative Overlay, Satin Nickel <b>HLB6RTRMTBZ</b> = 6" Round Decorative Overlay, Tuscan Bronze
<b>New Construction Mounting Frames<sup>2</sup></b> <b>MF6RC</b> = 6" Round New Construction Mounting Frame with ½" Drywall Collar <b>HL6RSMF</b> = 6" Round-to-Square New Construction Mounting Frame
<b>New Construction Smash Plate<sup>2</sup></b> <b>SP346RS</b> = 3" 7/6" 6" New Construction Smash Plate (6" & 6" openings convert round-to-square)
<b>Extension Cables</b> <b>HLB06FSEC</b> = 6 ft. Extension Cable <b>HLB12FSEC</b> = 12 ft. Extension Cable <b>HLB20FSEC</b> = 20 ft. Extension Cable

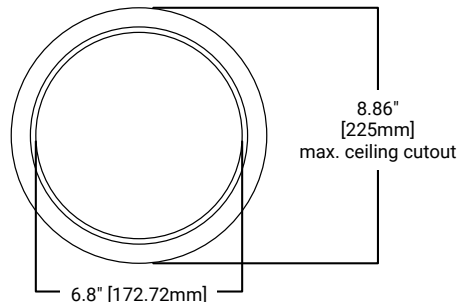


2. New Construction Mounting Frames / Smash Plates reserve ceiling positions and holds canless junction boxes during rough-in wiring phase.

## Dimensional and Mounting Details



### HLB6ROT MW Oversized trim



## Product Specifications

### Housing

- Die-cast aluminum mounting frame with integral flange provides passive thermal cooling
- Achieves L70 at 50,000 hours in IC and non-IC applications
- High impact diffuse lens provides shielding to the light guide minimizing pixilation

### Gasket

- Closed cell gasket achieves restrictive airflow and wet location listing without additional gaskets or caulking

### Optics

- Precision acrylic light guide organizes source flux into wide distribution with 1.4 spacing criteria, useful for general area illumination

### LED Array

- Plurality of mid power LED's provides a uniform source with high efficiency and long life
- 90 CRI minimum; R9 greater than 50 provides high color rendering
- Optional field selectable color temperature, select 2700K, 3000K, 3500K, 4000K or 5000K CCT; color accuracy within 4 SDCM
- Meets ENERGY STAR® color angular uniformity requirements; Deviation is less than 0.006 u' v'

### Remote Driver/Junction Box

- Pre-galvanized steel driver/junction box with captive hinged junction box cover
- Listed for six #12 AWG 90° C splice conductors: two in, two out plus two ground
- Two 1/2" conduit pry-outs

- Two Slide-N-Side™ non-metallic (NM) wire traps allows wiring outside the box
- Accepts NM cable types: 14-2, 14-3, 12-2, 12-3 (U.S.) and 14-2, 14-3, 12-2 (Canadian)
- Three 4-port push wire nuts with clear caps for quick and reliable mains voltage connections
- Integral mounting holes facilitate direct mounting to building structure or mounting frame

### Driver

- Available in 120-277V, providing noise free operation
- Continuous 0-10V dimming dimming down to 5% with select dimmers
- Plenum rated inline electrical quick connect provides low voltage connection to fixture fitting, CMP/FT6 rated

### Installation

- Can be installed in 1/2" to 1-1/4" thick ceilings
- Cutout utilizes standard round hole saw sizes; cutout template provided
- Heat treated springs hold fixture fitting securely in the ceiling eliminating light leak
- Housing is less than 1/2" thick and can span a 2" nominal framing member
- Can be removed from below the ceiling for service or replacement

### Optical Mounting Frame

- Pre-galvanized steel mounting frame locates fixture fittings during electrical rough-in and provides cutout guidance for drywall contractor
- Provides attachment of remote driver/junction box

### Compliance

- cULus Certified type IC suitable for direct contact with air permeable insulation
- Not recommended for use in direct contact with spray foam insulation (reference NEMA LSD57-2013)
- Wet location listed and IP44 ingress protection
- Airtight per ASTM-E283-04
- Suitable for use in clothes closets when installed in accordance with the NEC 410.16 spacing requirements
- EMI/RFI emissions per FCC 47CFR Part 15 consumer limits
- Contains no mercury or lead and RoHS compliant
- Photometric testing in accordance with IES LM-79-08
- Lumen maintenance projections in accordance with IES LM-80-08 and TM-21-11
- Can be used for State of California Title 24 high efficacy luminaire compliance. Complies with Title 24 JA8-2022-E. <sup>1</sup>
- Can be used International Energy Conservation Code (IECC) high efficiency luminaire compliance.
- ENERGY STAR® certified (reference "Certified Light Fixtures" database)

### Warranty

- Five year limited warranty, consult website for details. [www.cooperlighting.com/warranty](http://www.cooperlighting.com/warranty)

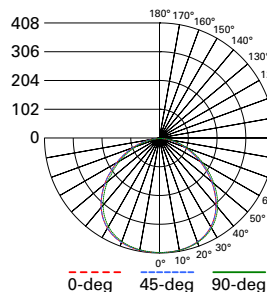
<sup>1</sup> T24 and RoHS are self-tested by Cooper Lighting Solutions. Not a third party certification.

## Energy Data

Lumens (nom)	900LM	900LM
Input Voltage (VAC)	120V	277V
Input Current (A)	0.092	0.042
Input Power (W)	11W	11W
Driver Efficiency (%)	>80%	>80%
Inrush (A)	<4A	<4A
THDi%	<20%	<20%
PF	>0.9	>0.9
T Ambient	-30~40°C	-30~40°C
Sound Rating	<22db	<22db
Efficacy (LPW)	≥82LPW	≥82LPW

HLB6099FSE010MWR (Equivalent to 75W Incandescent)				
CCT	Watts	Lumens	LPW	CRI
2700K	10.8	925	85.4	93
3000K	10.7	935	87.4	93
3500K	10.9	935	85.9	93
4000K	10.9	940	86.6	93
5000K	10.9	955	87.9	93

## Photometric Data



### HLB6099FS1EMW-3000K

Spacing criterion:  
(0-180) 1.33 | (90-270) 1.33 |  
(Diagonal) 1.41  
Beam Angle: 110°  
Field Angle: 160°  
Lumens: 1061  
Input Watts: 16 W  
Efficacy: 66.3 LPW  
Test Report: P256761

Zonal Lumen	Lumens	% Lumens
0-30	294	27.7
0-40	486	45.8
0-60	851	80.2
0-90	1061	100

CCT: Range of 2700K - 5000K



TM-30-15	Rf = 90.9
	Rg = 100.7
CRI/CIE	Ra = 94.1
	R9 = 68.5

