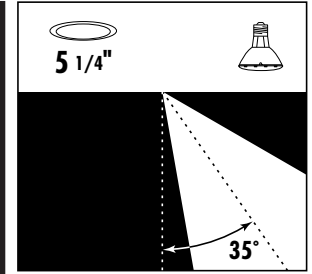
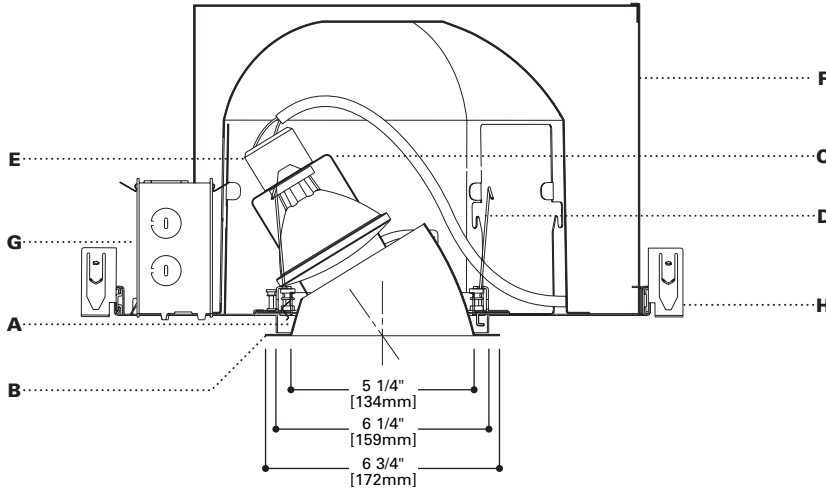


**DESCRIPTION**

Specification grade 75 watt PAR30 short neck adjustable fixture rated for direct contact with insulation. Adjustment mechanism features hot aiming capability, aiming marks and toolless locking. Optics provide glare-free 50° cutoff to

lamp and lamp image. **Lamp module and optical element can be changed after installation to provide a variety of lamp sources and distributions. e.g. into an A19 Wall Wash**



**P5  
M5P30  
E5AA**

**75 W PAR30  
Short Neck Only**

**5" ADJUSTABLE  
ACCENT**

**SPECIFICATION FEATURES**

**A...Reflector**

.040 thick aluminum spun parabolic reflector in Clear, Gold, Haze, Warm Haze, Black Alzak® finish, painted gloss white or matte white. Special cone colors listed below. E5AA20 recommended for ceilings over 7/8" thick.

**B...Flange**

Self flange reflector or die-cast flange with either matte white or clear coat finish. Die-cast flanges are easily removed for field painting. Elements are keyed for proper insertion.

**C...Adjustability**

Lamp locks in 361° rotation, 35° tilt. Unit is relamped without unlocking adjustments. Translating centerbeam optics maximize light output.

**D...Attachment**

Positive torsion springs pull flange tight to ceiling. Mechanical light trap eliminates spill light at edge of flange or reflector.

**E...Socket**

Nickel plated porcelain socket.

**F...Frame/Housing**

Hot dipped galvanized 20 gauge steel frame with built in 1/2 inch plaster lip. Aluminum .032 thick housing allows for heat dissipation and reduces weight. Matte black housing interior.

**G...Junction Box**

18 cubic inches, listed for 4#12 AWG or 6#14 AWG 90° C additional feed through conductors, has six 1/2 inch pryouts.

**H...Bar Hangers**

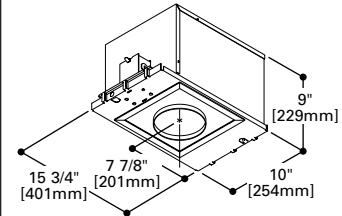
No Flex® bar hangers with positive locking, for use with wood, engineered wood and steel frame joists spaced up to 24" O.C. shipped with platform. For use in T-bar ceilings order accessory MBCLP clips. Nailless barb and locator lip provide consistent installation height.

**I...Codes**

Thermally protected, IP labeled, for use in direct contact with insulation. Meets Washington State Air tight requirements, 1995 CABO Model Energy Code.

**J...Labels**

UL and cUL listed, standard damp label, IBEW union made.



Ceiling Cutout  
6 1/4" [159mm]

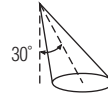
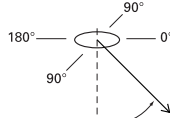


**ORDERING INFORMATION**

Complete unit consists of a platform, module and element

Platform	Lamp Module	Optical Element	Finish	Flange	Accessories
<b>P5</b>					
P5 = 5" Airtight IC Rated Housing	M5P30 = 5" PAR30 Adjustable Module	E5AA = 5" PAR30 35° Adjustable Accent Reflector E5AA20 = 5" PAR30 20° Adjustable Accent Reflector	<b>Standard</b> B=Black C=Clear H=Haze G=Gold WMH=Warm Haze W=Gloss White MW= Matte White B= Black <b>Custom</b> K=Cognac KH=Cognac Haze CC=Chocolate	<b>Custom Cont.</b> CCH=Chocolate Haze BU=Blush BUH=Blush Haze GP=Graphite GPH=Graphite Haze PN=Pine PNH=Pine Haze SK=Sky SKH=Sky Haze	Blank= White Die-cast RAW= Natural Die-cast SF= Self Flange SFWF= Self Flange Painted White MBCLP = 40 Push On T Bar Clips (for 10 Units) PLE5 = Plaster Lip Extension for Max 2" Thick Ceiling FMC5 = Flush Mount Collar For additional options please consult factory. Matte white is recommended for self flanged reflectors

PHOTOMETRICS



Lamp	Luminance cd/m <sup>2</sup> @ Maximum Tilt			0° Aiming Angle Horizontal Footcandles				30° Aiming Angle Horizontal Footcandles					30° Aiming Angle Vertical Footcandles				
	Degree	@ 180°	@ 90°	D	FC	L	W	D	FC	L	W	CB	D	FC	L	W	CB
<b>GE 75 PAR30/H/SP10</b> Beam Spread: 10° CBCP: 13,000 Lumens: 1030	85°	0	821	6'	352	0.9	0.9	6'	195	1.3	1.2	3.5	2'	381	1.2	0.7	3.5
	75°	0	277	8'	198	1.2	1.2	8'	109	1.8	1.5	4.6	3'	169	1.7	1.1	5.2
	65°	0	169	10'	127	1.6	1.6	10'	70	2.2	1.9	5.8	4'	95	2.3	1.4	6.9
	55°	125	250	12' 6"	81	2.0	2.0	12' 6"	45	2.8	2.4	7.2	5'	61	2.9	1.8	8.7
	45°	101	405	Test # H22423				Test # H22424					Test # H22424				

Lamp	Luminance cd/m <sup>2</sup> @ Maximum Tilt			0° Aiming Angle Horizontal Footcandles				30° Aiming Angle Horizontal Footcandles					30° Aiming Angle Vertical Footcandles				
	Degree	@ 180°	@ 90°	D	FC	L	W	D	FC	L	W	CB	D	FC	L	W	CB
<b>GE 75 PAR30/H/FL25</b> Beam Spread: 25° CBCP: 3,100 Lumens: 1030	85°	0	821	6'	83	2.8	3.6	6'	55	3.3	3.3	3.5	2'	132	2.1	1.6	3.5
	75°	0	277	8'	47	3.7	3.7	8'	31	4.4	4.3	4.6	3'	59	3.1	2.5	5.2
	65°	0	169	10'	30	4.7	4.7	10'	20	5.5	5.4	5.8	4'	33	4.2	3.3	6.9
	55°	125	250	12' 6"	19	5.8	5.8	12' 6"	13	6.9	6.8	7.2	5'	21	5.2	4.1	8.7
	45°	101	506	Test # H22426				Test # H22425					Test # H22425				

Lamp	Luminance cd/m <sup>2</sup> @ Maximum Tilt			0° Aiming Angle Horizontal Footcandles				30° Aiming Angle Horizontal Footcandles					30° Aiming Angle Vertical Footcandles				
	Degree	@ 180°	@ 90°	D	FC	L	W	D	FC	L	W	CB	D	FC	L	W	CB
<b>OS 50 PAR/CAP/IR/FL25</b> Beam Spread: 25° CBCP: 29,000 Lumens: 900	85°	0	821	6'	80	2.7	2.7	6'	53	3.4	3.2	3.5	2'	145	1.9	1.3	3.5
	75°	0	277	8'	45	3.6	3.6	8'	30	4.6	4.3	4.6	3'	65	2.8	2.0	5.2
	65°	0	169	10'	29	4.5	4.5	10'	19	5.7	5.4	5.8	4'	36	3.8	2.6	6.9
	55°	0	250	12' 6"	19	5.6	5.6	12' 6"	12	7.2	6.7	7.2	5'	23	4.7	3.3	8.7
	45°	304	506	Test # H22427				Test # H22428					Test # H22428				

Lamp	Luminance cd/m <sup>2</sup> @ Maximum Tilt			0° Aiming Angle Horizontal Footcandles				30° Aiming Angle Horizontal Footcandles					30° Aiming Angle Vertical Footcandles				
	Degree	@ 180°	@ 90°	D	FC	L	W	D	FC	L	W	CB	D	FC	L	W	CB
<b>OS 50 PAR/CAP/IR/SP9</b> Beam Spread: 9° CBCP: 13,000 Lumens: 900	85°	0	0	6'	300	1.1	1.1	6'	199	1.5	1.2	3.5	2'	387	1.4	0.7	3.5
	75°	0	0	8'	169	1.5	1.5	8'	112	2.0	1.5	4.6	3'	172	2.1	1.1	5.2
	65°	0	0	10'	108	1.8	1.8	10'	72	2.6	1.9	5.8	4'	97	2.8	1.4	6.9
	55°	0	0	12' 6"	69	2.3	2.3	12' 6"	46	3.2	2.4	7.2	5'	62	3.6	1.8	8.7
	45°	0	202	Test # H22430				Test # H22429					Test # H22429				

Lamp	0° Aiming Angle Horizontal Footcandles				30° Aiming Angle Horizontal Footcandles					30° Aiming Angle Vertical Footcandles				
	D	FC	L	W	D	FC	L	W	CB	D	FC	L	W	CB
<b>OS GE 50 PAR/CAP/IR/FL40</b> Beam Spread: 40° CBCP: 1,400 Lumens: 900	6'	45	3.8	3.8	6'	32	4.3	4.2	3.5	2'	94	1.9	1.8	3.5
	8'	25	5.1	5.1	8'	18	5.8	5.6	4.6	3'	42	2.9	2.7	5.2
	10'	16	6.4	6.4	10'	12	7.2	7.0	5.8	4'	23	3.8	3.6	6.9
	12' 6"	10	8.0	8.0	12' 6"	7	9.0	8.7	7.2	5'	15	4.8	4.5	8.7
	Test # H22433				Test # H22434					Test # H22434				

Notes and Definitions:

**Luminance:** To convert cd/m<sup>2</sup> to footlamberts, multiply by 0.2919

• Beam spread is to 50% center beam candlepower (CBCP)

D=Distance to floor or wall.

FC=Footcandles on floor or wall at center beam aiming location.

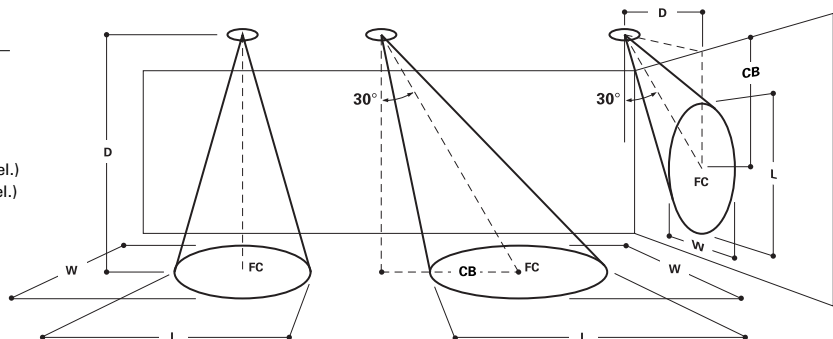
L=Effective Visual Beam length in feet (50% of maximum footcandle level.)

W=Effective Visual Beam width in feet (50% of maximum footcandle level.)

CB=Distance across or down to center beam location.

IRiS believes that bare lamp data photometrics vastly overstate the performance of adjustable accent fixtures.

The "real world photometrics" shown here are from off the shelf lamps in fixtures using a clear finish reflector.



Note: Specifications and Dimensions subject to change without notice.

Visit our web site at [www.cooperlighting.com](http://www.cooperlighting.com)