

Project		Catalog #		Type	
Prepared by		Notes		Date	



HALO

HLCE Disk Light Bulk Packs

This LED Disk Light is a low profile design that mounts directly to the ceiling or junction box with a stylish look. Phase cut dimming down to 10%¹

Typical Applications

Residential • Multifamily • Hospitality

Interactive Menu

- Order Information [page 2](#)
- Product Specifications [page 3](#)
- Photometric Data [page 4](#)
- Product Warranty
- Dimming Guide

Product Certification*



Refer to Energy Star Certified Products List. Certified to California Title 20 Appliance Efficiency Database. Can be used to comply with California Title 24 high efficiency requirements.

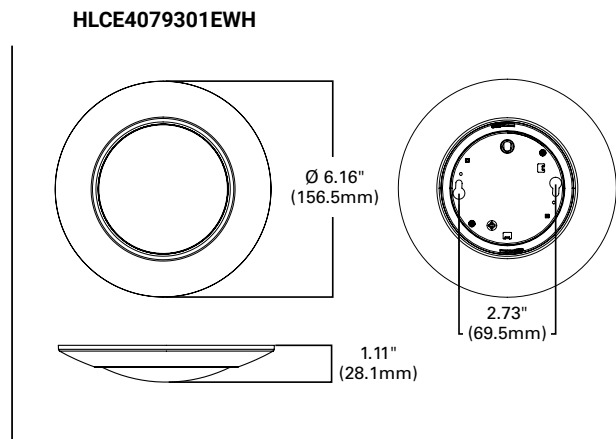
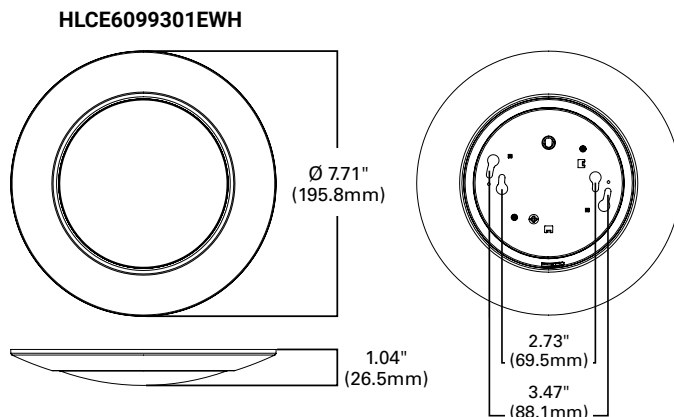
Product Features



Top Product Features

- Dedicated 3000K, 4000K, 5000K; 90 CRI minimum
- Below the ceiling installation, no clips or plates needed
- Installs in most 3-1/2" and 4" standard and pancake junction boxes²
- Dimmable down to 10%
- Damp Location Listed

Dimensional and Mounting Details



*T24 and RoHS are self-tested by Cooper Lighting Solutions. Not a third party certification.

Order Information

4" Disk Light

Catalog Number	Description	Lumens (nominal)	CCT	CRI	Driver	Pack Size	Compliance
HLCE4079301EWH-12P	4" Disk Light	800	3000K	90 CRI	120V, 60Hz, LE & TE Phase Cut 10% dimming	12 Pack	
HLCE4079401EWH-12P	4" Disk Light	800	4000K	90 CRI	120V, 60Hz, LE & TE Phase Cut 10% dimming	12 Pack	
HLCE4079501EWH-12P	4" Disk Light	800	5000K	90 CRI	120V, 60Hz, LE & TE Phase Cut 10% dimming	12 Pack	
HLCE4079301EWH-18P	4" Disk Light	800	3000K	90 CRI	120V, 60Hz, LE & TE Phase Cut 10% dimming	18 Pack	
HLCE4079401EWH-18P	4" Disk Light	800	4000K	90 CRI	120V, 60Hz, LE & TE Phase Cut 10% dimming	18 Pack	
HLCE4079501EWH-18P	4" Disk Light	800	5000K	90 CRI	120V, 60Hz, LE & TE Phase Cut 10% dimming	18 Pack	
HLCE407930-12P-CA	4" Disk Light	800	3000K	90 CRI	120V, 60Hz, LE & TE Phase Cut 10% dimming	12 Pack	California SKU
HLCE407940-12P-CA	4" Disk Light	800	4000K	90 CRI	120V, 60Hz, LE & TE Phase Cut 10% dimming	12 Pack	California SKU
HLCE407930-18P-CA	4" Disk Light	800	3000K	90 CRI	120V, 60Hz, LE & TE Phase Cut 10% dimming	18 Pack	California SKU
HLCE407940-18P-CA	4" Disk Light	800	4000K	90 CRI	120V, 60Hz, LE & TE Phase Cut 10% dimming	18 Pack	California SKU

6" Disk Light

HLCE6099301EWH-12P	6" Disk Light	940	3000K	90 CRI	120V, 60Hz, LE & TE Phase Cut 10% dimming	12 Pack	
HLCE6099401EWH-12P	6" Disk Light	1000	4000K	90 CRI	120V, 60Hz, LE & TE Phase Cut 10% dimming	12 Pack	
HLCE6099501EWH-12P	6" Disk Light	1000	5000K	90 CRI	120V, 60Hz, LE & TE Phase Cut 10% dimming	12 Pack	
HLCE6099301EWH-18P	6" Disk Light	940	3000K	90 CRI	120V, 60Hz, LE & TE Phase Cut 10% dimming	18 Pack	
HLCE6099401EWH-18P	6" Disk Light	1000	4000K	90 CRI	120V, 60Hz, LE & TE Phase Cut 10% dimming	18 Pack	
HLCE6099501EWH-18P	6" Disk Light	1000	5000K	90 CRI	120V, 60Hz, LE & TE Phase Cut 10% dimming	18 Pack	
HLCE609930-12P-CA	6" Disk Light	940	3000K	90 CRI	120V, 60Hz, LE & TE Phase Cut 10% dimming	12 Pack	California SKU
HLCE609940-12P-CA	6" Disk Light	1000	4000K	90 CRI	120V, 60Hz, LE & TE Phase Cut 10% dimming	12 Pack	California SKU
HLCE609930-18P-CA	6" Disk Light	940	3000K	90 CRI	120V, 60Hz, LE & TE Phase Cut 10% dimming	18 Pack	California SKU
HLCE609940-18P-CA	6" Disk Light	1000	4000K	90 CRI	120V, 60Hz, LE & TE Phase Cut 10% dimming	18 Pack	California SKU

NOTE: California SKU not available for 5000K

Compatible Junction Boxes²



4" octagon light fixture/fan steel box
4" x 4" x 2-1/8"
(102mm x 102mm x 54mm)



4" octagon steel box
4" x 4" x 1-1/2"
(102mm x 102mm x 38mm)



4" round new work non-metallic light fixture/fan box
4" diameter x 2-3/16"
(102mm x 56mm)



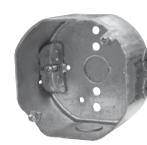
3-1/2" round new work non-metallic ceiling box
3-1/2" diameter x 2-3/4"
(89mm x 70mm)



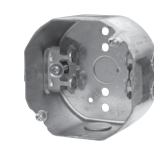
3-1/2" round old work non-metallic box
4-1/4" O.D. flange, 3-1/2" I.D. x 2-5/8"
(108mm O.D., 89mm I.D. x 67mm)



4" round surface mount box
4" diameter x 1-1/2"
(102mm x 38mm)



TP316
for non-metallic cable
4" x 4" x 2-1/8"
(102mm x 102mm x 54mm)



TP317
for metal clad cable
4" x 4" x 2-1/8"
(102mm x 102mm x 54mm)



Round ceiling pan
4" diameter x 13/16"
(102mm x 21mm)



4" round new work non-metallic box with hanger bar assembly
4" diameter x 2-3/16" (102mm x 56mm)



Cat #: JB4FR2
4" NC JBox for Fire Rated Ceilings
4" diameter x 5-1/2"
(102mm x 140mm)

1. Review the product's Dimming Guide for approved compatible dimmers.

2. This is a representative list of compatible junction boxes only. Information contained in this literature about other manufacturers' products is from published information made available by the manufacturer and is deemed to be reliable, but has not been verified. Cooper Lighting Solutions makes no specific recommendation on product selection and there are no warranties of performance or compatibility implied. Installer must determine that site conditions are suitable to allow proper installation of the mounting bracket in the box.

Housing – Compatibility

The non-California HLCE Series LED Disc Light is UL Certified for use with the following recessed housings.

HLCE4 & HLCE6	4" Housings E4TATSB = 4" non-IC, airtight shallow new construction housing, adjustable socket bracket, E26, 120V E4RTATSB = 4" non-IC, airtight shallow remodeler housing, adjustable socket bracket, E26, 120V E4ICATSB = 4" non-IC, airtight shallow new construction housing, adjustable socket bracket, E26, 120V
HLCE4 & HLCE6	5" Housings H25ICAT = 5" IC, airtight shallow new construction housing H5ICAT = 5" Insulated Ceiling, Air-Tite New Construction Housing H5RICAT = 5" IC, airtight remodel housing, E26 medium base, 120V E5ICAT = 5" IC, airtight new construction housing, E26 medium base, 120V E5RICAT = 5" IC, airtight remodeler housing, E26 medium base, 120V
HLCE6	6" Housings H27ICAT = 6" IC, airtight shallow new construction housing H27RICAT = 6" IC, airtight shallow remodel housing E27ICAT = 6" IC, airtight shallow new construction housing E27RICAT = 6" IC, airtight shallow remodel housing E27TAT = 6" non-IC, airtight shallow new construction housing E27RTAT = 6" non-IC, airtight shallow remodel housing H7ICAT = 6" IC, airtight new construction housing, E26 medium base, 120V H7RICAT = 6" IC, airtight remodel housing, E26 medium base, 120V E7ICAT = 6" IC, airtight new construction housing, E26 medium base, 120V E7RICAT = 6" IC, airtight remodeler housing, E26 medium base, 120V E7TAT = 6" non-IC, airtight new construction housing, E26 medium base, 120V E7RTAT = 6" non-IC, airtight remodeler housing, E26 medium base, 120V

Product Specifications

Construction

- Stamped aluminum

Optics

- Precision engineered optic provides uniform luminance from a low-profile convex lens
- Removable lens for easy install from below installation

LED

- Back lit LED technology
- Color Temperature: Available only in dedicated 3000K, 4000K, 5000K CCT
- Color Quality: 90 CRI minimum
- Color Accuracy within 6 SDCM at the CCT endpoints, provide color accuracy and uniformity
- Expected Life: L70 at 50,000 hours projected in accordance with TM-21

Driver

- Integral 120V 60 Hz constant current driver provides noise free operation
- Continuous, flicker-free dimming from 100% to 10% (See Dimming Guide for compatible dimmers)

Dimming

- Continuous, flicker-free dimming from 100-10% with 120V phase cut Leading Edge (LE) and Trailing Edge (TE) dimmers.

TIPS: For optimal dimming performance, consider dimmers with low-end trim adjustment and note that some dimmers require a neutral wire in the wallbox. (See the [HLC Dimming Guide](#) and then consult dimmer manufacturer for compatibility and conditions of use.)

Electrical Junction Box Mounting

- HLCE fixtures may be used in compatible electrical junction boxes in direct contact with insulation including spray foam insulation
- Installs from below the ceiling
- Suitable for installation in most 3-1/2" and 4" octagon and round electrical junction boxes.
- Compatible with compact (pancake) junction boxes
- Installer must ensure compatibility of fit, wiring and proper mounting in the electrical junction box. This includes all applicable national and local electrical and building coded NEMA LSD 57-2013

Recessed Housing Mounting

- Extension Springs for 5" & 6" housings included in the box
- Not for use in recessed housings in direct contact with spray foam insulation refer to NEMA LSD 57-2013
- Compatible with Halo 5" and 6" housings

Electrical Power Connections

- Wire nuts provided for mains connections
- The included E26 medium screw-base Edison adapter provides easy retrofit of incandescent housings (non-California product only).

Compliance

- cULus certified for US and Canada
- Damp location listed
- Airtight per ASTM-E283 (no gasket necessary)
- Suitable for use in clothes closets when installed in accordance with the NEC 410.16 spacing requirements
- EMI/RFI emissions per FCC 47CFR Part 15 consumer limits
- Contains no mercury or lead and RoHS compliant*
- Photometric testing in accordance with IES LM-79-08
- Lumen maintenance projections in accordance with IES LM-80-08 and TM-21-11
- ENERGY STAR® certified, reference Certified Light Fixtures database
- Certified to State of California Title 20, State-regulated LED Lamp; reference Modernized Appliance Efficiency Database System (MAEDBS) for State-regulated LED Lamp
- Can be used for State of California Title 24 high efficacy LED compliance under JA8*, reference Modernized Appliance Efficiency Database System (MAEDBS) for 2019 JA8 High Efficacy Lighting

Warranty

- Five year limited warranty, consult website for details. www.cooperlighting.com/warranty

*T24 and RoHS are self-tested by Cooper Lighting Solutions. Not a third party certification.

Energy Data

HLCE4079301EWH

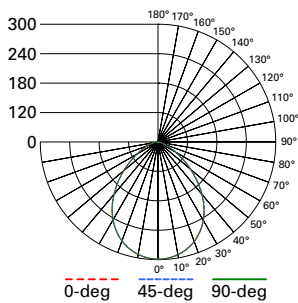
Lumens	822
Input Voltage (VAC)	120
Input Current (A)	0.099
Efficiency (LpW)	75.9
Inrush Current (A)	0.81
Inrush Duration (ms)	72
THD (%)	45
PF	0.916
T Ambient	25°C
Sound Rating	20.3 dBA

HLCE6099301EWH

Lumens	967
Input Voltage (VAC)	120
Input Current (A)	0.121
Efficiency (LpW)	72.25
Inrush Current (A)	0.912
Inrush Duration (ms)	75
THD	45
PF	0.919
T Ambient	25°C
Sound Rating	20.5 dBA

Catalog Number	CCT	Watts	lumens	LPW	CRI
HLCE4	3000K	10.8	816	75	95
	4000K	10.3	810	78	97
	5000K	10.4	819	79	97
HLCE6	3000K	13.6	940	71	94
	4000K	13.2	990	75	97
	5000K	13.1	985	75	97

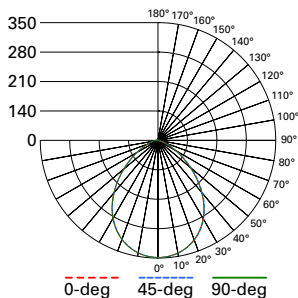
Photometric Data



HLCE4079301EWH-3000K
 Spacing criterion:
 (0-180) | (90-270) | (Diagonal)
 Beam Angle: 115.9°
 Field Angle:
 Lumens: 822
 Input Watts: 10.8 W
 Efficacy: 75.9 LPW
 UGR:
 Test Report: ETA23010005P-001

Zonal Lumen	Lumens	% Lumens
0-30	213.78	26
0-40	353.55	43
0-60	616.67	75
0-90	805.78	98

TM-30-15	Rf = 92
	Rg = 103
CRI/CIE	Ra = 95.6
	R9 = 84



HLCE6099301EWH-3000K
 Spacing criterion:
 (0-180) | (90-270) | (Diagonal)
 Beam Angle: 115.1°
 Field Angle:
 Lumens: 967
 Input Watts: 13.4 W
 Efficacy: 72.3 LPW
 UGR:
 Test Report: ETA23010005P-002

Zonal Lumen	Lumens	% Lumens
0-30	251.52	26
0-40	406.3	42
0-60	725.53	75
0-90	957.7	99

TM-30-15	Rf = 92
	Rg = 103
CRI/CIE	Ra = 95.6
	R9 = 82

