

Catalog #		Date		Prepared by	
Project		Type		Notes	

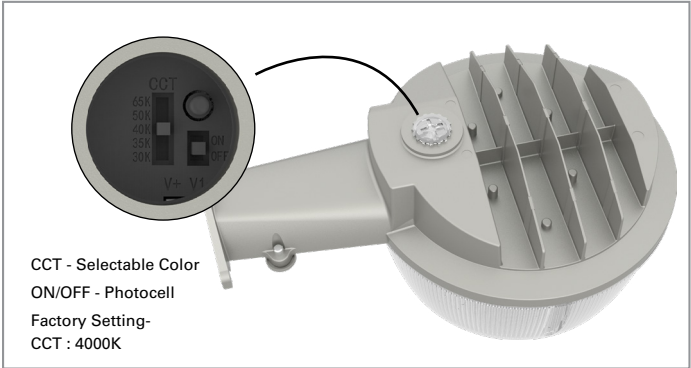
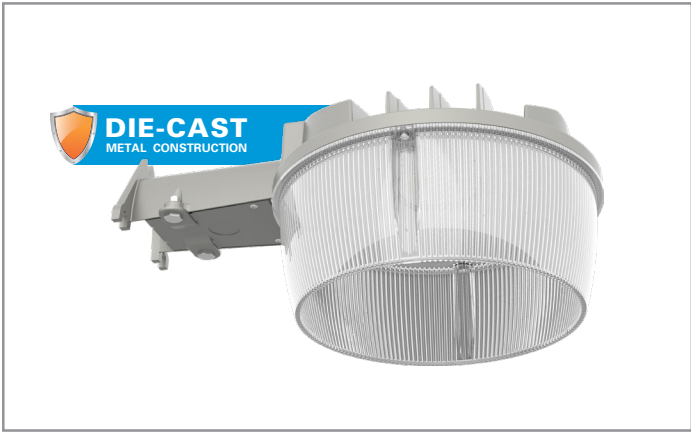
# HALO™



OUTDOOR LIGHTING

## ALS STANDARD AREA LIGHT

WITH CCT SELECT AND ON/OFF PHOTOCELL



LED DUSK TO DAWN AREA LIGHT | 40W 6000LM | 120-277V INPUT | GRAY HOUSING | DROP LENS WITH ON/OFF PHOTOCELL & CCT SELECT TECHNOLOGY

The ALS Standard LED Area Light delivers a versatile security lighting solution with many configuration possibilities by integrating Dusk to Dawn settings and five selectable CCT color temperatures.

### TOP PRODUCT FEATURES



- 5 Selectable (3000K-3500K-4000K-5000K-6500K) light color temperatures
- Integrated ON/OFF photocell for Dusk to Dawn operation
- Constructed of rugged die cast aluminum housing in textured Gray finish
- 50,000 hours of rated life
- UV resistant prismatic PC lens with Type V distribution
- Universal power supply 120-277V
- 5-year warranty

### PRODUCT CERTIFICATION



\*DLC listing will be completed within Q2-2024

### INTERACTIVE MENU

- [Order Information](#) page 3
- [Product Dimensions](#) page 3
- [Photometric Data](#) page 3
- [Product Specification](#) page 4
- [Product Warranty](#) page 4

### TYPICAL APPLICATIONS



#### COMMERCIAL & RESIDENTIAL OUTDOOR

- Backyards
- Barns
- Farms
- Parking lots
- Garages
- Alleyways
- Perimeter lighting among other security applications

### MOUNTING TYPES

Pole Mount



Wall Mount



### PRODUCT FEATURE HIGHLIGHTS



**PHOTOCELL TECHNOLOGY**

**AUTOMATIC NIGHTTIME ON**  
 SWITCH ON

**DUSK to DAWN**  
 OR  
 SWITCH ACTIVATED

**AUTOMATIC DAYTIME OFF**  
 SWITCH OFF

### ORDER INFORMATION

Catalog Number	Description	Material no.	UPC	Case Qty	Case Dimensions (in.)			Weight (lbs)
					L	W	H	
ALS60CD2D	STD AREA LIGHT 6000LM 5CCT SEL UNV D2D	13665571	080083292882	2	20.55	14.96	8.86	8.83

### ACCESSORIES (SOLD SEPARATELY)



Catalog Number	Description
EA24	24 inch extension mounting arm

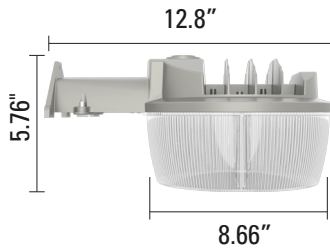


Catalog No.	Description	Material No.
ALB/ALS-LENS	Replacement lens	13638266

### PRODUCT DIMENSIONS



Diffuser (included)



### PHOTOMETRIC DATA

Catalog Number	Power	CCT	Lumens	Efficacy	Voltage	Dimming	CRI	Lifespan	Photocell	Equivalent
ALS60CD2D	40W	3000K	5500	138	120-277V	NO	>80	50,000 Hrs	Integrated ON/OFF photocell	200W
		3500K	5600	140						
		4000K	6000	150						
		5000K	5800	145						
		6500K	5600	140						

### ELECTRICAL DATA

Catalog Number	Power	120V	208V	240V	277V
ALS60CD2D	40W	0.331	0.192	0.17	0.155

### PRODUCT SPECIFICATIONS

#### Construction

- Durable die-cast aluminum housing suitable for wet locations
- Glare free UV & impact resistant PC prismatic drop lens
- Lens is fully sealed to keep out insects and bugs
- Rust-resistant powder coated gray finish
- Suitable for wall or pole mount
- 1.5G vibration rated per ANSI C136.31

#### Integrated Controls

- Dusk to Dawn (Nighttime on / Daytime off) via integrated ON/OFF photocell sensor

#### Mounting

- Easily mounts to a wooden post, pole or wall using 2" lag screws.
- Can be mounted to a 1-1/4" pipe (1-5/8" Outer Diameter)- pipe not included

#### Electrical

- 5 Selectable CCT options available (3000, 3500, 4000, 5000, & 6500K)
- Maintenance -free LEDs with estimated 50,000 hours lifespan based on LM-80 results and TM-21 calculations.
- Fixture operating temperature range from -40°C to 40°C
- Electrical operating voltage 120-277V, 50/60Hz
- THD ≤ 20%; Power factor ≥ 90% @40W

#### Compliance

- UL certified for USA and Canada for wet locations
- Contains no mercury or lead - RoHS compliant (RoHS 2.0)
- DLC 5.1 Premium Listed

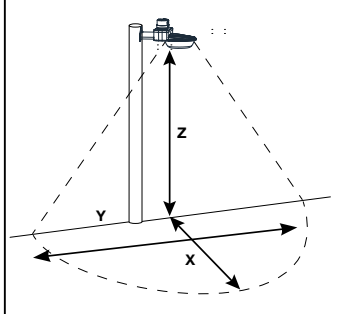
#### Finish

- Rust-resistant powder coated gray finish

#### Warranty

- [Five year limited warranty.](#) consult website for details. [www.cooperlighting.com](http://www.cooperlighting.com)

### SUGGESTED MOUNTING HEIGHT



Minimum Footcandles (FC)		0.50 FC							
Mounting Height (Z)		8'		10'		15'		20'	
Catalog Number	Lumens	X	Y	X	Y	X	Y	X	Y
ALS60CD2D	5737	20.9	42.3	23.1	46.8	27	52.3	28	55

X = Forward Throw  
Y = Wall Spread  
Z = Mounting Heights

Notes:  
Forward throw X = 1/2 Y for wall-mount applications only  
See IES files for detailed photometry