

Project		Catalog #		Type	
Prepared by		Notes		Date	



MWS

DS

Drop SO Cord Modular Wiring System

Typical Applications

Office • Education • Healthcare • Hospitality • Retail • Industrial
• Manufacturing • Sports Venues

Product Certification



Interactive Menu

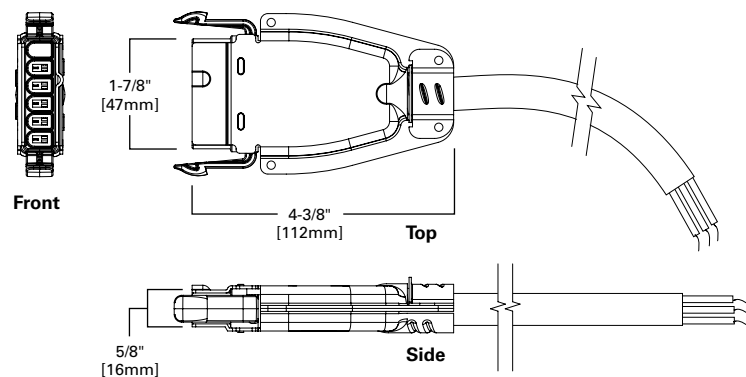
- Order Information page 2
- Product Specifications page 2
- System View page 2
- Product Warranty



Top Product Features

- UL Listed under Standard 183 for make or break under load
- Meets requirements of Article 604 of the National Electrical Code
- Galvanized steel exterior with integral keying for voltage
- 16AWG SO cord rated at 13 amps
- Pre-stripped leads for easy termination at fixture

Dimensional and Mounting Details



additional product diagrams

Order Information

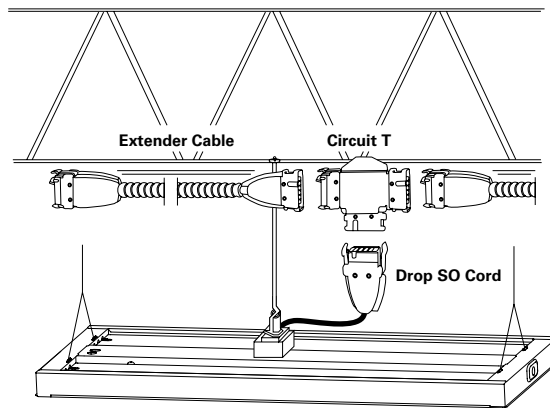
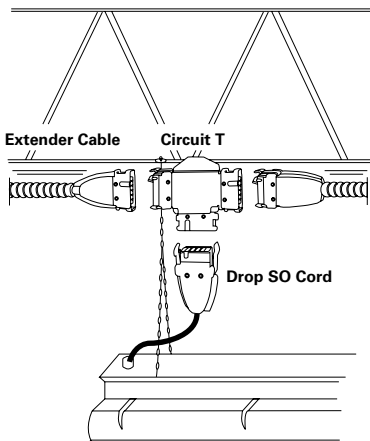
SAMPLE ORDER NUMBER: **27DS16/2G03**

Voltage	Component	Conductors and Size	Cable Length (Feet)	Options
12=120V 20=208V 24=240V 27=277V 34=347V 48=480V	DS=Drop SO Cord	16/2G=2 Conductors Plus Ground 16/4G=4 Conductors Plus Ground	03=3' 06=6' 11=11' 15= 15' 21=21'	2N=2 Neutral ⁽¹⁾ Notes (1) 16/4G only.

Product Specifications

- UL Listed under Standard 183 for make or break under load
- Galvanized steel exterior with integral keying for voltage and amperage
- 16AWG SO cord rated at 13 amps
- Pre-stripped leads for easy termination at fixture
- Unique double-blade contact ensures proper mating of electrical components to prevent pushback or pullout
- Rated for single fixture feeds only

System View (not to scale)



Drop SO Cord (DS)

Feeds power to fixture without interrupting circuit. Provided with 16 gauge SO Cord. For use with LED, HID and industrial fluorescents.

Typical MWS Wiring System Application shown utilizing **Drop SO Cord (DS)**.

Consult MWS Installation, Application and Specification Manual for additional comprehensive system information.

Shipping Data

Cord Length	Unit Wt.	Standard Qty./Carton
3'	1.1 lbs.	N/A
6'	1.7 lbs.	N/A
11'	3.5 lbs.	N/A
15'	4.5 lbs.	N/A
21'	6.3 lbs.	N/A

MWS Autocad Drafting

Please reach out to your local representative for MWS layout design assistance.

All electrical boxes, conduit, connections and switches by others.
Install dust covers on unused open ends.
Scale is exaggerated on fixtures and MWS system applications.