

DESCRIPTION

The Corelite Z3 LED combines excellent performance with the high sense of style and superior brightness management that characterizes the Corelite Class RZ family. The proprietary LED platform delivers a soft, diffuse volume of pure white light that carries the general character of a fluorescent source while simultaneously eliminating unsightly socket shadows and the hassle of luminaire maintenance. Available in 2x2, 2x4, 1x4, and multiple lensing styles, the Class RZ family is ideal for a large range of architectural interiors including offices, schools, and hospitals.

SPECIFICATION FEATURES

Construction

Low profile 3-3/4" housing constructed of die-formed 20 gauge cold rolled steel with integral 20 gauge gear tray. High reflectance sheet metal internal reflectors can be removed for easy access to driver compartment from below ceiling plenum. Fixture weight: 22.5 lbs.

Shielding

High light transmission curved frosted prismatic acrylic lens with UV inhibitors minimizes lamp image and LED pixilation. Perf patterns and nano-prismatic are available as additional aesthetic options. Perf available in round or rectangular pattern via internal frosted acrylic inlay and smooth clear acrylic lens. Nano-prismatic inlay is a high light transmission material offering

additional brightness mitigation with smooth acrylic lens. Lenses secured to housing via injection molded inserts for easy access to light engine.

Finish

Fixture housing is high reflectance white using electrostatically applied polyester powder coat paint for durability and luminous uniformity.

Electrical

Long-life LED system coupled with electrical driver to deliver optimal performance. Projected life is 60,000 hours at 87% lumen output. LEDs are available in 3000K, 3500K or 4000K with a typical CRI ≤ 85. Standard drivers are 0-10 volt continuous dimming that work with any 0-10V control/dimmer. Or, specify Digital Addressable Lighting Interface (DALI)

drivers; for use with Fifth Light controls. See ordering information for details.

Mounting

Universal flange design works with most lay-in ceiling types. Integral pry-out tabs secure luminaire to ceiling grid from above. Fixture offers tie-in locations for tie-wire on all corners. Consult local code for appropriate tie-wire recommendations. See Technical Notes section for drywall frame kit and surface mount kit options.

Compliance

Components are UL recognized and luminaires are cULus listed for 25°C ambient environments, damp location listed, and RoHS compliant.

Warranty

Five-year warranty.

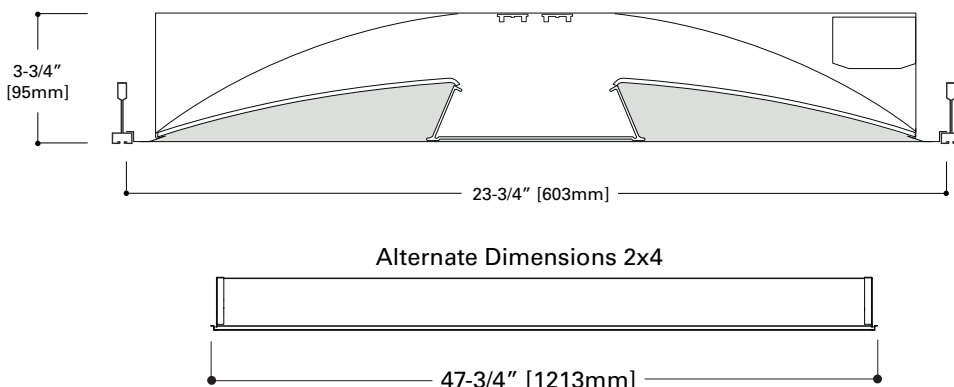


CLASS Z3 Flat Lens

LED

2' x 4' Recessed
3-3/4" Depth

CERTIFICATION DATA
cULus - 1598
Damp Location Listed
IC Rated
LM79/LM80 Compliant
ROHS Compliant



ORDERING INFORMATION

Sample Number: Z3-WL-3L35-LD5-UNV-24-T1-STD-EL14W-AR

Series ⁽¹⁾	Shielding	Light Level (2x4, WL, 3500K delivered lumens)	Color Temperature	LED Revision	Input Voltage
Z3 = Class Z3 LED Recessed Series	WL = Linear Prismatic Lens WD = Round Perf Inlay WG = Rectangular Perf Inlay WN = Nano Prism Lens	1 = Light Level 1 (3083 Lms, 23W) 2 = Light Level 2 (3998 Lms, 31W) 3 = Light Level 3 (5098 Lms, 40W) 4 = Light Level 4 (6044 Lms, 50W) 5 = Light Level 5 (6848 Lms, 59W)	L30 = LED 3000K L35 = LED 3500K L40 = LED 4000K	LD5 = LED 5.0	UNV = Universal (120V-277V) 347 = 347V ⁽²⁾
Size	Ceiling Type	Driver Type	Emergency (Optional)	Options	
24 = 2' x 4'	T1 = 1" T-Bar, Slot Grid, and 9/16" Tegular ⁽³⁾ T9 = 9/16" T-Bar (Flush)	STD = Standard 0-10V (10%-100%) HCD = 0-10V (1%-100%) ⁽⁶⁾ STP = Step Dimming (BI-Level, 50%) ⁽⁵⁾ 5LT = Fifth Light DALI (1%-100%) ⁽⁴⁾ LH = Lutron HiLume 1% EcoSystems	EL14W = 14-watt 120V-277V Integral EM Battery Pack ⁽⁷⁾ GTD2 = Emergency Transfer Switch	AR = Air Return CP = Chicago Plenum W6 = 6' Whip Flex W12 = 12' Whip Flex	

See page 2 for technical notes

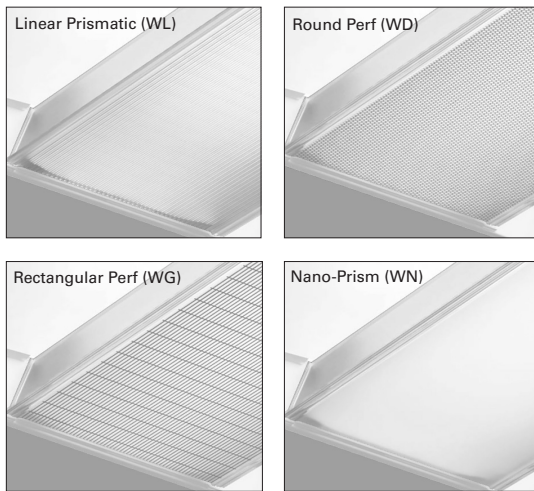
TECHNICAL NOTES

1. Dimming wires come standard in all LED fixtures but can be capped in the field for switched operation.
2. Integral 347V electronic driver with STD 0-10V option only. Factory supplied remote transformer for all other driver/dimming options.
3. "T1" ceiling type is compatible with Metalux DF Series Drywall Frame Kits and Metalux Universal Surface Mount Kits, ordered separately from Metalux. For 2x4 drywall frame kit, order part #DF-24-W. For 2x4 surface mount kit, order part #SK-24-WS. Refer to the surface mount kit specification sheet for more information.
4. Must be used in conjunction with a DALI control system. For a complete listing of Fifth Light Technology products and other solutions from Eaton Controls, visit www.eaton.com/lightingsystems
5. 2x4: STP driver not available in Light Levels 1.
6. 2x4: Two HCD drivers required for Light Level 5.
7. Unless noted otherwise, integral emergency battery pack is 14W maximum, 90 minute output. A test switch/indicator button can be tested safely from the ground using a laser pointer, while the patented EZ Key prevents accidental discharge of the battery during construction. For approximate delivered lumens multiply the lumens per watt of the desired fixture by the wattage of the emergency battery pack (100 lm/W x 14=1400 lumens)

LUMEN MAINTENANCE

Ambient Temperature	TM-21 Lumen Maintenance (60,000 hours)	Theoretical L70 (Hours)
25°C	>80%	94,000

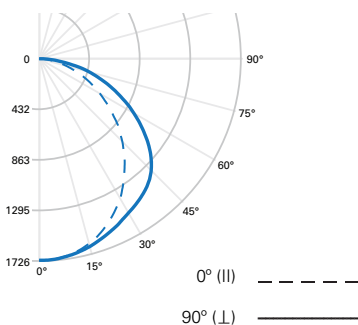
INLAY OPTIONS



ENERGY AND PERFORMANCE DATA

2x4 - Z3 Light Level Outputs and Distributions (3500K)				
Series	Light Level	Delivered Lumens	Wattage	Efficacy (LPW)
Z3-WL	1	3092	22.9	135
	2	4009	30.5	131
	3	5113	40.4	127
	4	6062	49.6	122
	5	6868	58.6	117
Z3-WD	1	2864	22.9	125
	2	3714	30.5	122
	3	4736	40.4	117
	4	5615	49.6	113
	5	6362	58.6	109
Z3-WG	1	2877	22.9	126
	2	3730	30.5	122
	3	4757	40.4	118
	4	5640	49.6	114
	5	6390	58.6	109
Z3-WN	1	2965	22.9	129
	2	3845	30.5	126
	3	4903	40.4	121
	4	5813	49.6	117
	5	6586	58.6	112

PHOTOMETRICS



FILE NAME: Z3-WL-3L35-LD5-UNV-24.IES

LAMP: (LD5) LED 3500K

LUMENS: 5113 Lm

WATTS: 40.4 W

EFFICACY: 127 Lm/W

TEST NO.: P220255

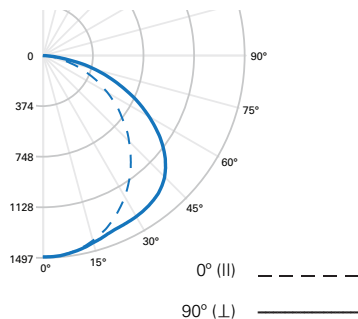
SC: (II) 1.2, (I) 1.31

ZONAL LUMENS SUMMARY

Zone	Lumens	% Fixture
0°-30°	1352	26.4
0°-40°	2219	43.4
0°-60°	3985	77.9
0°-90°	5113	100

LUMINANCE DATA (CD/M²)

Vertical Angle	0°	45°	90°
45°	1981	2283	2543
55°	1821	2260	2553
65°	1601	2144	2407
75°	1325	1948	2158
85°	990	1433	1406



FILE NAME: Z3-WG-3L35-LD5-UNV-24.IES

LAMP: (LD5) LED 3500K

LUMENS: 4757 Lm

WATTS: 40.4 W

EFFICACY: 118 Lm/W

TEST NO.: P220269

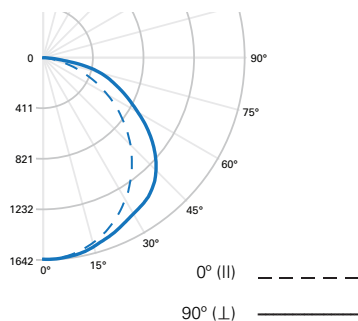
SC: (II) 1.22, (I) 1.44

ZONAL LUMENS SUMMARY

Zone	Lumens	% Fixture
0°-30°	1171	24.6
0°-40°	1961	41.2
0°-60°	3662	77.0
0°-90°	4757	100

LUMINANCE DATA (CD/M²)

Vertical Angle	0°	45°	90°
45°	1763	2177	2527
55°	1647	2225	2601
65°	1467	2144	2477
75°	1132	1913	2184
85°	625	1224	1198



FILE NAME: Z3-WN-3L35-LD5-UNV-24.IES

LAMP: (LD5) LED 3500K

LUMENS: 4903 Lm

WATTS: 40.4 W

EFFICACY: 121 Lm/W

TEST NO.: P220297

SC: (II) 1.21, (I) 1.37

ZONAL LUMENS SUMMARY

Zone	Lumens	% Fixture
0°-30°	1252	25.5
0°-40°	2079	42.4
0°-60°	3821	77.9
0°-90°	4903	100

LUMINANCE DATA (CD/M²)

Vertical Angle	0°	45°	90°
45°	1875	2242	2547
55°	1746	2256	2597
65°	1558	2128	2445
75°	1167	1834	2062
85°	625	1121	1068

Note: Round Perf (WD) photometric performance is similar to Rectangular Perf (WG). Reference IES-format photometry online for more detail.