

Catalog #		Date		Prepared by	
Project		Type		Notes	



# HALO OUTDOOR

## SLFS Solar Floodlight Family

### LED Solar Security with long battery lifespan in a compact design

The SFLS series solar powered outdoor security light provides the comfort of a security light, without the hassle of wiring a conventional fixture. Available in 700, 1000, 1500 and 2000 lumen motion activated fixture. Integrated LEDs are rated at 50,000 hours for maintenance free operation.

This product is perfect for wall or eave mount. Integrated 180-degree motion sensor automatically turns the light on when motion is detected (Dusk to Dawn). Polycrystalline solar panel with 16 ft. cord allows for optimal placement in direct sunlight for best performance.

This flood light is ideal for walkways, yards, patios, and driveways creating an inviting exterior space as well as providing safety and security. Available in bronze and white finishes.

### Typical Applications

Outdoor Area/Site • Residential • Retail

### Product Certification



### Interactive Menu

- Order Information [page 2](#)
- Product Warranty [page 2](#)
- Photometric Data [page 3](#)

### Top Product Features

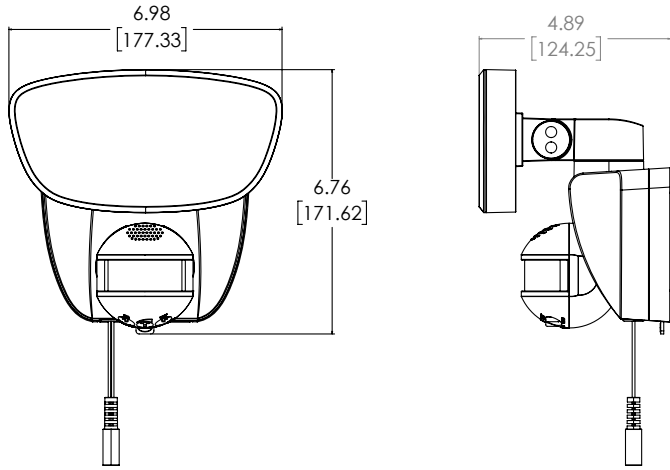
- Durable weather resistant polycarbonate construction
- Motion sensor automatically turns lights on when motion is detected
- Rechargeable Li-Ion battery pack include. Lasts 70 mins.
- Available in textured bronze and white finish
- Dual light levels - Light comes on at full brightness and reduces to half if no motion is detected
- 3 Adjustable Time Out settings - 30s, 60s, & 90s
- 1-year warranty

### Product Features

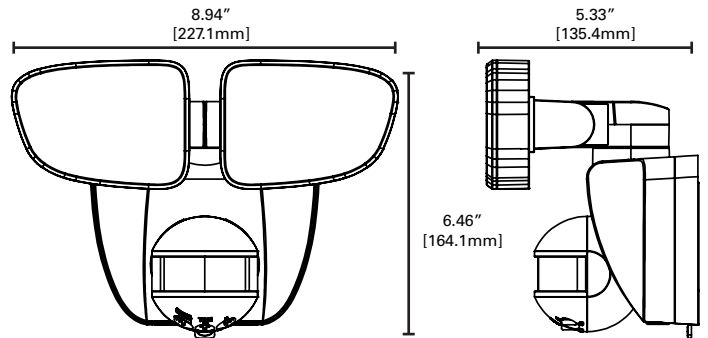


Dimensional and Mounting Details

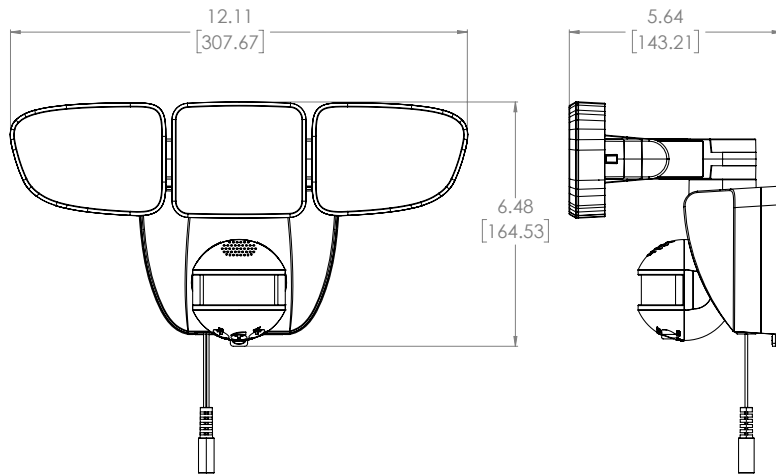
Single Head



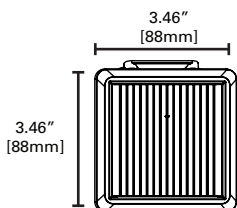
Twin Head



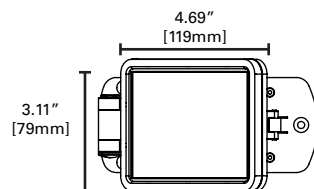
Triple Head



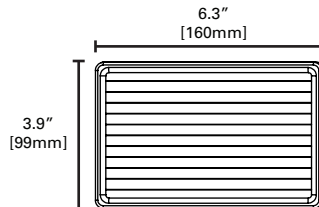
700 LM



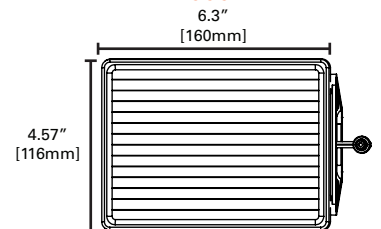
1000 LM



1500 LM



2000 LM



## Order Information

SAMPLE ORDER NUMBER: **SLFS07AM2B**

Series	Lumens	Type	Configuration	Finish
SLFS=Solar Flood	07=700 Lumens (Nominal) 1=1000 Lumens (Nominal) 15=1500 Lumens (Nominal) 2=2000 Lumens (Nominal)	AM=Motion Flood	1= Single head 2= Twin head 3= Triple head	B=Bronze W=White

## Product Specifications

### Construction

- Durable polycarbonate housing suitable for wet locations
- One-handed adjustments to fixture head and motion sensor possible
- UV resistant finish ensures color won't fade over time
- Suitable for wall or eave mounting
- Mounting bracket included for simple installation

### Optics

- Produces rated lumens when fully charged
- Frosted lens for even light distribution
- 4000K CCT perfect for security applications

### Electrical

- 180° degree motion sensor with detection range up to 40ft
- 3 Adjustable motion sensor settings
- Adjustable auto timeout settings of 30s, 60s, & 90s
- Adjustable motion sensitivity
- Auto, Off, Test setting
- Battery Saver technology with Dual Brightness level. Fixture brightness reduces by half of rated output after 50% of auto timeout setting reached
- Rotatable to allow for Wall or Eave mounting
- Red indicator light to alert if battery level is low

### Compliance

- Contains no mercury or lead and RoHS compliant
- Photometric testing in accordance with IES LM-79-08
- Lumen maintenance projections in accordance with IES LM-80-08 and TM-21-11

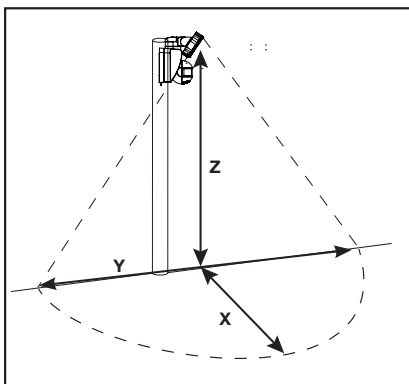
### Finish

- Textured Bronze and White Finish

### Warranty

- One year limited warranty
- Consult website for details [cooperlighting.com/legal](http://cooperlighting.com/legal)

## Suggested Mounting Height



X = Forward Throw  
Y = Wall Spread  
Z = Mounting Heights

### Notes:

Forward throw X = 1/2 Y for wall-mount applications only  
See IES files for detailed photometry

Minimum Footcandles (FC)		0.50 FC			
Mounting Height (Z)		10'		15'	
Catalog Number	Lumens	X	Y	X	Y
SLFS1AM1B	1021	12.3	24.6	12.7	25.3
SLFS1AM1W	1174	13.4	26.6	13.9	27.8
SLFS07AM2B	700	13.7	20.2	13	18
SLFS07AM2W	700	13.7	20.2	13	18
SLFS1AM2B	1000	16.1	23	16.2	23.6
SLFS1AM2W	1000	16.1	23	16.2	23.6
SLFS15AM2B	1500	18.8	27.6	20.2	29.9
SLFS15AM2W	1500	18.8	27.6	20.2	29.9
SLFS2AM2B	2000	20.7	31.5	23.1	33.7
SLFS2AM2W	2000	20.7	31.5	23.1	33.7
SLFS2AM3B	1977	15.7	31.2	17	34
SLFS2AM3W	2267	16.3	32.5	18	35.8

## Photometric Data

Catalog Number	Voltage (V)	Delivered Lumens	Equivalency	Runtime	CCT	CRI	Controls
SLFS1AM1B	SOLAR	1021	70W	70 MINS	4000K	80	180° MOTION SENSOR
SLFS1AM1W	SOLAR	1174	70W	70 MINS	4000K	80	180° MOTION SENSOR
SLFS07AM2B	SOLAR	700	50W	70 MINS	4000K	80	180° MOTION SENSOR
SLFS07AM2W	SOLAR	700	50W	70 MINS	4000K	80	180° MOTION SENSOR
SLFS1AM2B	SOLAR	1000	70W	70 MINS	4000K	80	180° MOTION SENSOR
SLFS1AM2W	SOLAR	1000	70W	70 MINS	4000K	80	180° MOTION SENSOR
SLFS15AM2B	SOLAR	1500	100W	70 MINS	4000K	80	180° MOTION SENSOR
SLFS15AM2W	SOLAR	1500	100W	70 MINS	4000K	80	180° MOTION SENSOR
SLFS2AM2B	SOLAR	2000	130W	70 MINS	4000K	80	180° MOTION SENSOR
SLFS2AM2W	SOLAR	2000	130W	70 MINS	4000K	80	180° MOTION SENSOR
SLFS2AM3B	SOLAR	1977	130W	70 MINS	4000K	80	180° MOTION SENSOR
SLFS2AM3W	SOLAR	2267	130W	70 MINS	4000K	80	180° MOTION SENSOR

## Solar Single Head Motion Floodlight 1000 Lumen

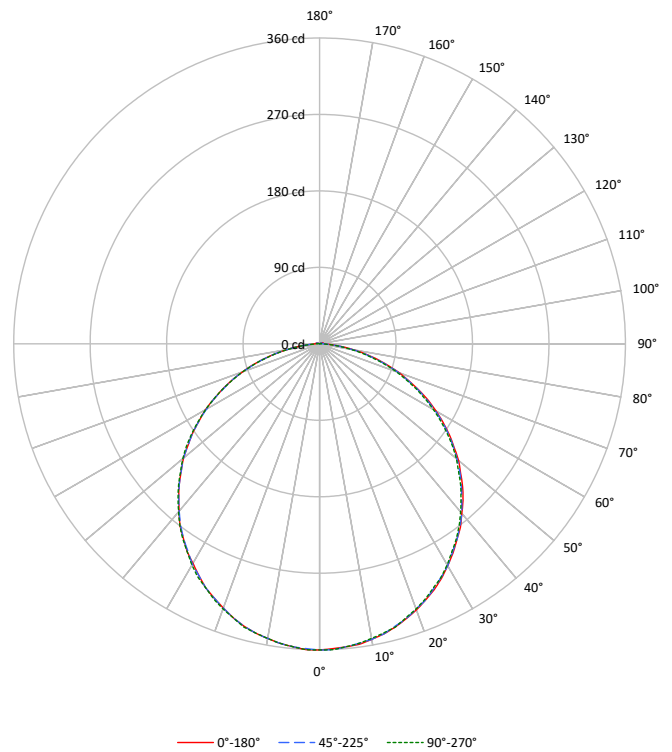
### Photometric Data

Catalog Number	Voltage (V)	Delivered Lumens	Equivalency	Runtime	CCT	CRI	Controls
SLFS1AM1B	SOLAR	1021	70W	70 MINS	4000K	80	180° MOTION SENSOR

### ZONAL LUMENS:

Zone	Lumens	% Fixture
0°-10°	34.0	3.3
10°-20°	97.1	9.5
20°-30°	146.3	14.3
30°-40°	175.4	17.2
40°-50°	181.3	17.8
50°-60°	163.8	16.0
60°-70°	125.1	12.3
70°-80°	71.2	7.0
80°-90°	19.4	1.9
90°-100°	4.0	0.4
100°-110°	2.7	0.3
110°-120°	0.7	0.1
120°-130°	0.0	0.0
130°-140°	0.0	0.0
140°-150°	0.0	0.0
150°-160°	0.0	0.0
160°-170°	0.0	0.0
170°-180°	0.0	0.0
0°-30°	277.4	27.2
0°-40°	452.7	44.3
0°-60°	797.8	78.1
0°-90°	1013.6	99.3
90°-120°	7.4	0.7
90°-150°	7.4	0.7
90°-180°	7.0	0.7
0°-180°	1021.0	100.0

Luminous Intensity Polar Plot



## Solar Single Head Motion Floodlight 1000 Lumen

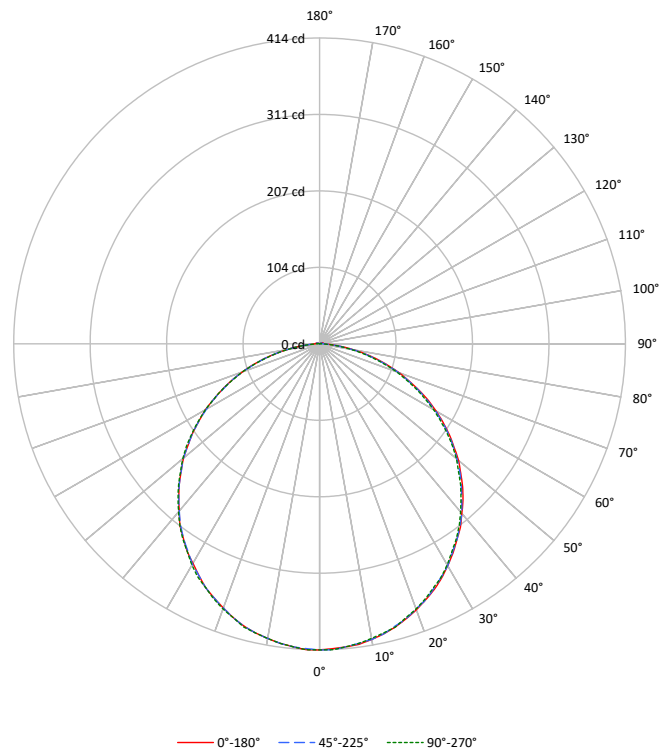
### Photometric Data

Catalog Number	Voltage (V)	Delivered Lumens	Equivalency	Runtime	CCT	CRI	Controls
SLFS1AM1W	SOLAR	1174	70W	70 MINS	4000K	80	180° MOTION SENSOR

### ZONAL LUMENS:

Zone	Lumens	% Fixture
0°-10°	39.1	3.3
10°-20°	111.6	9.5
20°-30°	168.2	14.3
30°-40°	201.7	17.2
40°-50°	208.4	17.8
50°-60°	188.4	16.0
60°-70°	143.8	12.3
70°-80°	81.9	7.0
80°-90°	22.3	1.9
90°-100°	4.6	0.4
100°-110°	3.1	0.3
110°-120°	0.8	0.1
120°-130°	0.0	0.0
130°-140°	0.0	0.0
140°-150°	0.0	0.0
150°-160°	0.0	0.0
160°-170°	0.0	0.0
170°-180°	0.0	0.0
0°-30°	318.9	27.2
0°-40°	520.6	44.3
0°-60°	917.4	78.1
0°-90°	1165.4	99.3
90°-120°	8.5	0.7
90°-150°	8.5	0.7
90°-180°	8.0	0.7
0°-180°	1173.9	100.0

Luminous Intensity Polar Plot



## Solar Twin Head Motion Floodlight 700 Lumen

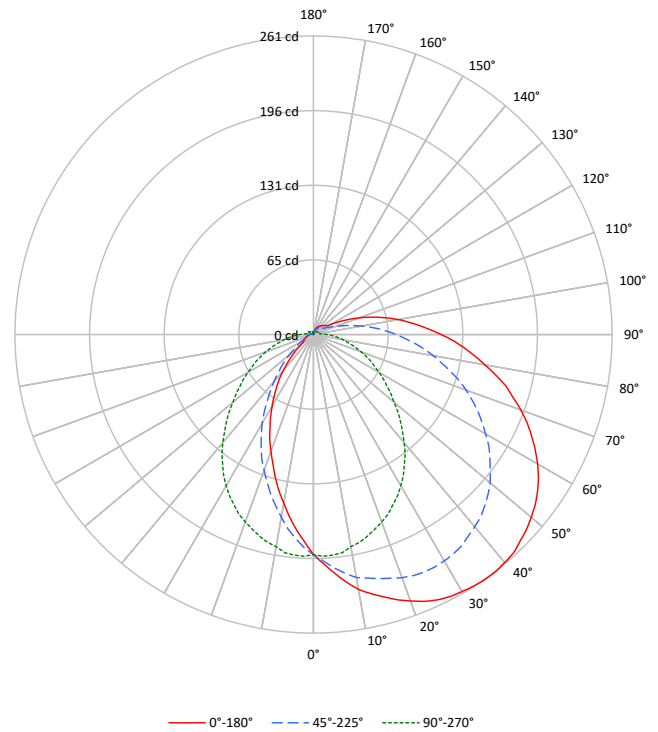
### Photometric Data

Catalog Number	Voltage (V)	Delivered Lumens	Equivalency	Runtime	CCT	CRI	Controls
SLFS07AM2B	SOLAR	700	50W	70 MINS	4000K	80	180° MOTION SENSOR
SLFS07AM2W	SOLAR	700	50W	70 MINS	4000K	80	180° MOTION SENSOR

### ZONAL LUMENS:

Zone	Lumens	% Fixture
0°-10°	18.2	2.6
10°-20°	51.5	7.4
20°-30°	77.6	11.1
30°-40°	92.6	13.2
40°-50°	96.2	13.7
50°-60°	92.1	13.2
60°-70°	82.5	11.8
70°-80°	67.1	9.6
80°-90°	49.0	7.0
90°-100°	32.0	4.6
100°-110°	18.4	2.6
110°-120°	9.3	1.3
120°-130°	5.2	0.7
130°-140°	3.6	0.5
140°-150°	2.4	0.3
150°-160°	1.4	0.2
160°-170°	0.6	0.1
170°-180°	0.1	0.0
<hr/>		
0°-30°	147.4	21.0
0°-40°	240.0	34.3
0°-60°	428.2	61.2
0°-90°	626.9	89.5
90°-120°	59.8	8.5
90°-150°	71.0	10.1
90°-180°	73.0	10.4
0°-180°	700.0	100.0

Luminous Intensity Polar Plot



## Solar Twin Head Motion Floodlight 1000 Lumen

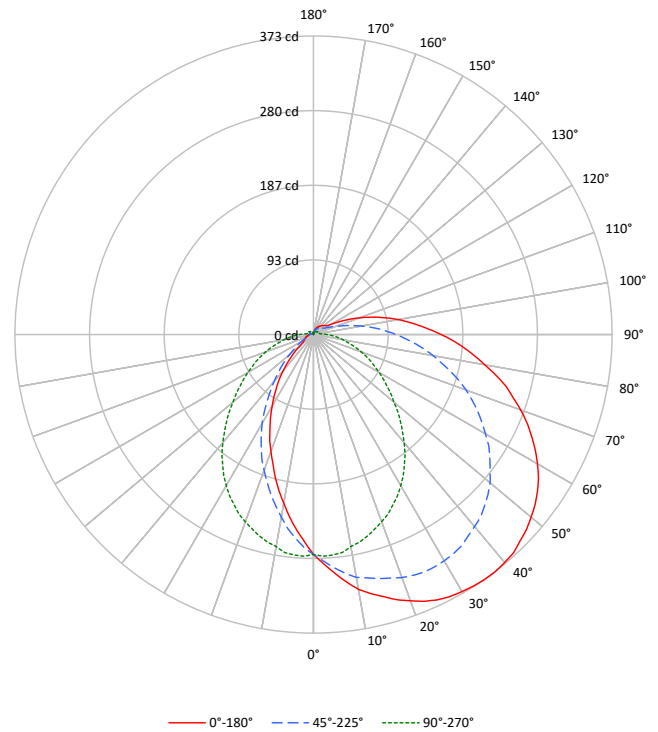
### Photometric Data

Catalog Number	Voltage (V)	Delivered Lumens	Equivalency	Runtime	CCT	CRI	Controls
SLFS1AM2B	SOLAR	1000	70W	70 MINS	4000K	80	180° MOTION SENSOR
SLFS1AM2W	SOLAR	1000	70W	70 MINS	4000K	80	180° MOTION SENSOR

### ZONAL LUMENS:

Zone	Lumens	% Fixture
0°-10°	26.0	2.6
10°-20°	73.6	7.4
20°-30°	110.9	11.1
30°-40°	132.3	13.2
40°-50°	137.4	13.7
50°-60°	131.5	13.2
60°-70°	117.9	11.8
70°-80°	95.9	9.6
80°-90°	70.0	7.0
90°-100°	45.7	4.6
100°-110°	26.3	2.6
110°-120°	13.3	1.3
120°-130°	7.4	0.7
130°-140°	5.2	0.5
140°-150°	3.4	0.3
150°-160°	2.0	0.2
160°-170°	0.9	0.1
170°-180°	0.1	0.0
<b>0°-30°</b>	<b>210.5</b>	<b>21.1</b>
<b>0°-40°</b>	<b>342.8</b>	<b>34.3</b>
<b>0°-60°</b>	<b>611.7</b>	<b>61.2</b>
<b>0°-90°</b>	<b>895.5</b>	<b>89.6</b>
<b>90°-120°</b>	<b>85.4</b>	<b>8.5</b>
<b>90°-150°</b>	<b>101.4</b>	<b>10.1</b>
<b>90°-180°</b>	<b>104.0</b>	<b>10.4</b>
<b>0°-180°</b>	<b>1000.0</b>	<b>100.0</b>

Luminous Intensity Polar Plot





## Solar Twin Head Motion Floodlight 1500 Lumen

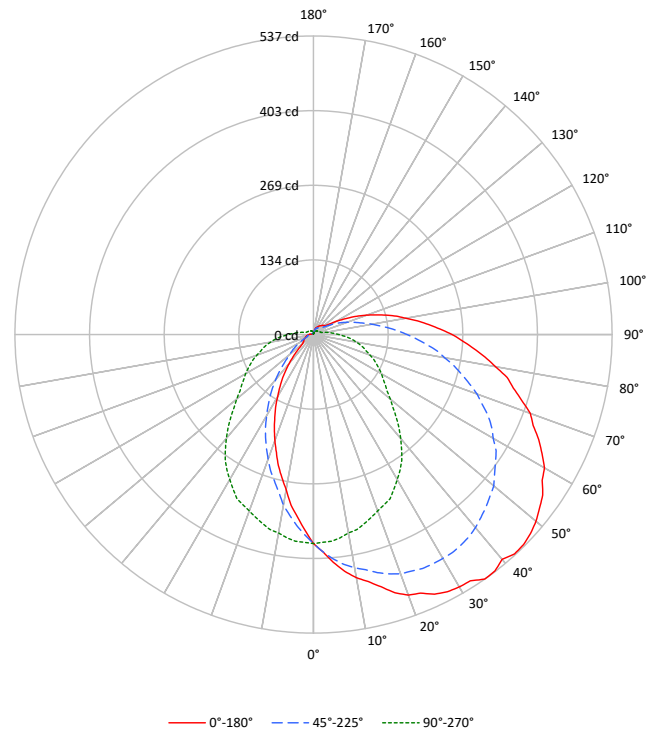
### Photometric Data

Catalog Number	Voltage (V)	Delivered Lumens	Equivalency	Runtime	CCT	CRI	Controls
SLFS15AM2B	SOLAR	1500	100W	70 MINS	4000K	80	180° MOTION SENSOR
SLFS15AM2W	SOLAR	1500	100W	70 MINS	4000K	80	180° MOTION SENSOR

### ZONAL LUMENS:

Zone	Lumens	% Fixture
0°-10°	35.5	2.4
10°-20°	100.9	6.7
20°-30°	153.5	10.2
30°-40°	186.3	12.4
40°-50°	197.2	13.1
50°-60°	195.0	13.0
60°-70°	180.6	12.0
70°-80°	152.0	10.1
80°-90°	115.4	7.7
90°-100°	78.7	5.2
100°-110°	47.8	3.2
110°-120°	25.3	1.7
120°-130°	12.7	0.8
130°-140°	8.2	0.5
140°-150°	5.6	0.4
150°-160°	3.5	0.2
160°-170°	1.6	0.1
170°-180°	0.3	0.0
<hr/>		
0°-30°	289.9	19.3
0°-40°	476.2	31.7
0°-60°	868.4	57.9
0°-90°	1316.4	87.8
90°-120°	151.9	10.1
90°-150°	178.3	11.9
90°-180°	184.0	12.3
0°-180°	1500.0	100.0

Luminous Intensity Polar Plot



## Solar Twin Head Motion Floodlight 2000 Lumen

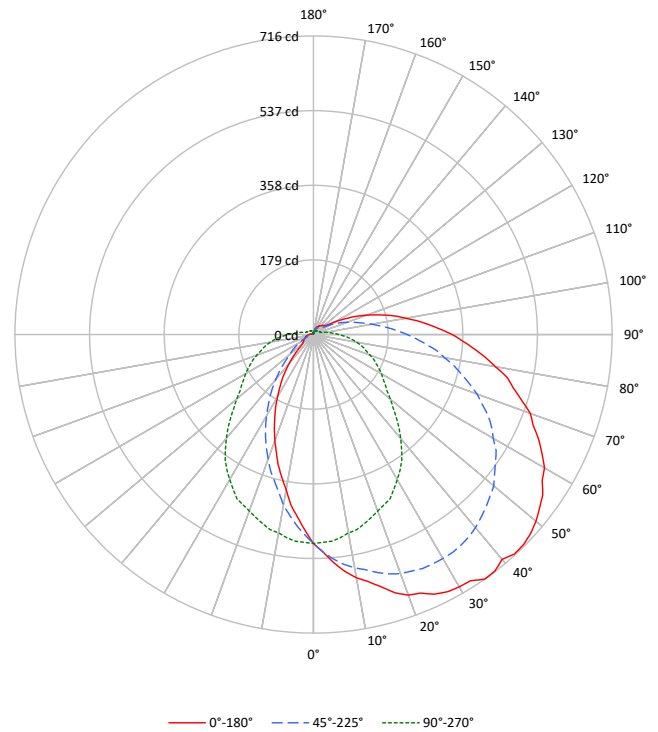
### Photometric Data

Catalog Number	Voltage (V)	Delivered Lumens	Equivalency	Runtime	CCT	CRI	Controls
SLFS2AM2B	SOLAR	2000	130W	70 MINS	4000K	80	180° MOTION SENSOR
SLFS2AM2W	SOLAR	2000	130W	70 MINS	4000K	80	180° MOTION SENSOR

### ZONAL LUMENS:

Zone	Lumens	% Fixture
0°-10°	47.3	2.4
10°-20°	134.5	6.7
20°-30°	204.7	10.2
30°-40°	248.4	12.4
40°-50°	263.0	13.1
50°-60°	260.1	13.0
60°-70°	240.7	12.0
70°-80°	202.7	10.1
80°-90°	153.9	7.7
90°-100°	104.9	5.2
100°-110°	63.8	3.2
110°-120°	33.8	1.7
120°-130°	16.9	0.8
130°-140°	10.9	0.5
140°-150°	7.5	0.4
150°-160°	4.6	0.2
160°-170°	2.1	0.1
170°-180°	0.3	0.0
<hr/>		
0°-30°	386.5	19.3
0°-40°	634.9	31.7
0°-60°	1157.9	57.9
0°-90°	1755.2	87.8
90°-120°	202.5	10.1
90°-150°	237.7	11.9
90°-180°	245.0	12.3
0°-180°	2000.0	100.0

Luminous Intensity Polar Plot



## Solar Triple Head Motion Floodlight 2000 Lumen

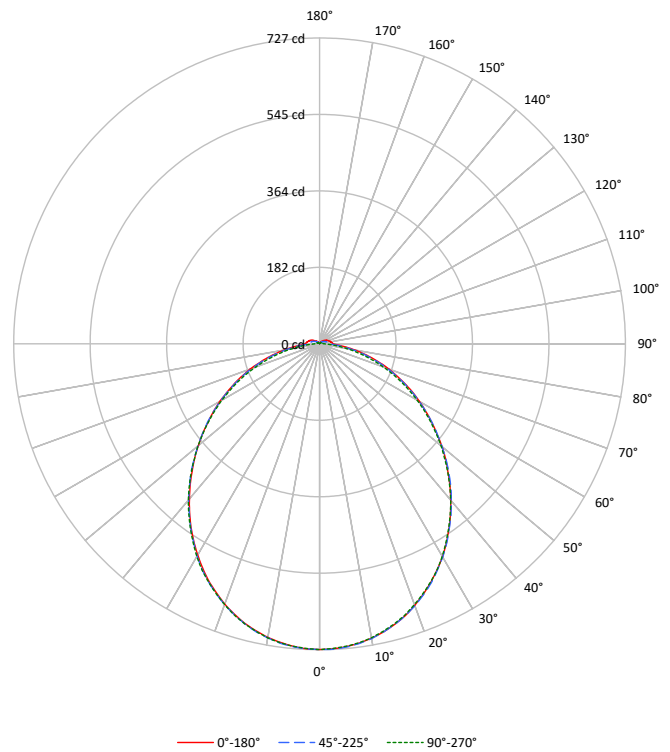
### Photometric Data

Catalog Number	Voltage (V)	Delivered Lumens	Equivalency	Runtime	CCT	CRI	Controls
SLFS2AM3B	SOLAR	1977	130W	70 MINS	4000K	80	180° MOTION SENSOR

### ZONAL LUMENS:

Zone	Lumens	% Fixture
0°-10°	68.6	3.5
10°-20°	194.3	9.8
20°-30°	287.7	14.6
30°-40°	334.9	16.9
40°-50°	333.3	16.9
50°-60°	290.2	14.7
60°-70°	217.9	11.0
70°-80°	129.5	6.6
80°-90°	49.6	2.5
90°-100°	23.3	1.2
100°-110°	18.4	0.9
110°-120°	13.1	0.7
120°-130°	8.0	0.4
130°-140°	4.4	0.2
140°-150°	2.2	0.1
150°-160°	1.0	0.1
160°-170°	0.3	0.0
170°-180°	0.0	0.0
<hr/>		
0°-30°	550.6	27.9
0°-40°	885.5	44.8
0°-60°	1509.1	76.3
0°-90°	1906.1	96.4
90°-120°	54.9	2.8
90°-150°	69.5	3.5
90°-180°	71.0	3.6
0°-180°	1976.9	100.0

Luminous Intensity Polar Plot



## Solar Triple Head Motion Floodlight 2000 Lumen

### Photometric Data

Catalog Number	Voltage (V)	Delivered Lumens	Equivalency	Runtime	CCT	CRI	Controls
SLFS2AM3W	SOLAR	2267	130W	70 MINS	4000K	80	180° MOTION SENSOR

### ZONAL LUMENS:

Zone	Lumens	% Fixture
0°-10°	78.7	3.5
10°-20°	222.8	9.8
20°-30°	329.9	14.6
30°-40°	384.0	16.9
40°-50°	382.2	16.9
50°-60°	332.8	14.7
60°-70°	249.9	11.0
70°-80°	148.6	6.6
80°-90°	56.9	2.5
90°-100°	26.8	1.2
100°-110°	21.1	0.9
110°-120°	15.1	0.7
120°-130°	9.1	0.4
130°-140°	5.1	0.2
140°-150°	2.6	0.1
150°-160°	1.2	0.1
160°-170°	0.3	0.0
170°-180°	0.0	0.0
<hr/>		
0°-30°	631.4	27.9
0°-40°	1015.4	44.8
0°-60°	1730.4	76.3
0°-90°	2185.7	96.4
90°-120°	62.9	2.8
90°-150°	79.7	3.5
90°-180°	81.0	3.6
0°-180°	2266.9	100.0

Luminous Intensity Polar Plot

