

Project		Catalog #		Type	
Prepared by		Notes		Date	



# Lumark

## NFFLD-L Night Falcon Large

Floodlight Luminaire

### Product Certifications & Features



### Interactive Menu

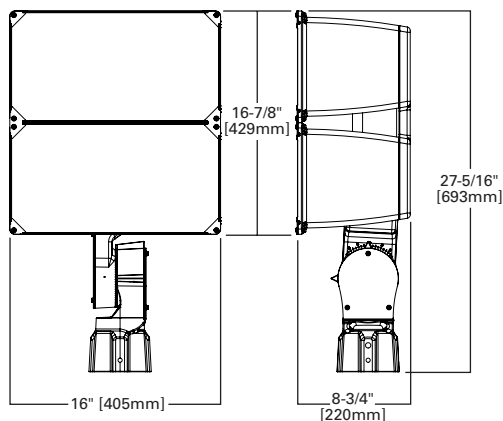
- Ordering Information page 2
- Product Specifications page 2
- Mounting Details page 3
- Energy and Performance Data page 4

### Quick Facts

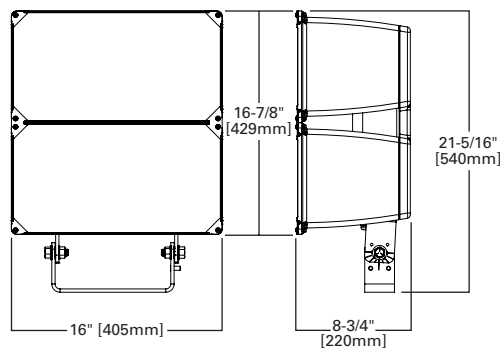
- Up to 163 lumens per watt
- Two optical distributions (wide and spot)
- 6 Lumen packages ranging from 28,000 - 57,900 nominal lumens (180 - 390W)
- Replaces 750 - (2) 1,000W HID

### Dimensional Details

Slipfitter Mount



Trunnion Mount



## Ordering Information

Sample Number: NFFLD-L-C100-D-UNV-66-S-CB-PER

Product Family <sup>1,2</sup>	Light Engine <sup>3</sup>	Driver <sup>4</sup>	Voltage	Distribution	Mounting	Color
<b>NFFLD-L</b> =Night Falcon Large <b>BAA-NFFLD-L</b> =Night Falcon Large, Buy American Act Compliant <sup>13</sup> <b>TAA-NFFLD-L</b> =Night Falcon Large, Trade Agreements Act Compliant <sup>13</sup> <b>BABA-NFLD-L</b> =Night Falcon Large, Build America Buy America Act Compliant <sup>15</sup>	<b>C100</b> =33,900 Nominal Lumens <b>C75</b> =25,900 Nominal Lumens <b>C125</b> =38,000 Nominal Lumens <b>C150</b> =43,000 Nominal Lumens <b>C175</b> =48,000 Nominal Lumens	<b>D</b> =Dimming (0-10V)	<b>UNV</b> =120-277V <b>347</b> =347V <b>480</b> =480V <sup>5</sup>	<b>66</b> =NEMA 6H x 6V Wide <b>33</b> =NEMA 3H x 3V Spot <sup>6</sup>	<b>S</b> =Slipfitter <sup>7</sup> <b>T</b> =Trunnion <b>Y</b> =Yoke	<b>CB</b> =Carbon Bronze (Standard) <b>BK</b> =Black <b>BZ</b> =Bronze <b>AP</b> =Grey <b>WH</b> =White <b>WHT</b> =Summit White <b>DP</b> =Dark Platinum <b>GM</b> =Graphite Metallic
Options (Add as Suffix)			Accessories (Order Separately) <sup>10,14</sup>			
<b>7030</b> =70 CRI / 3000K <sup>8</sup> <b>7050</b> =70 CRI / 5000K <sup>8</sup> <b>7060</b> =70 CRI / 5700K <sup>8</sup> <b>8040</b> =80 CRI / 4000K <b>PER</b> =NEMA 3-PIN Twistlock Photocontrol Receptacle <b>PER7</b> =NEMA 7-PIN Twistlock Photocontrol Receptacle <sup>9</sup> <b>10K</b> =10kV/10kA UL 1449 Surge Protective Device			<b>FA63</b> =3" O.D. Surface Mount Bracket <b>RAB-X</b> =Right Angle Bracket for Slipfitter <b>SAB-X</b> =Steel Angle Bracket for Trunnion <b>TYS-XX</b> =Slipfitter Adapter for 2-3/8", 3" or 3-1/2" O.D. Tenon <b>OA1223</b> =10kV/10kA UL 1449 Surge Protective Device Replacement <b>OA/RA1013</b> =Photocontrol Shorting Cap <b>OA/RA1014</b> =NEMA Photocontrol - 120V <b>OA/RA1016</b> =NEMA Photocontrol - Multi-Tap <b>OA/RA1027</b> =NEMA Photocontrol - 480V <b>OA/RA1201</b> =NEMA Photocontrol - 347V <b>TS2HW/NFFLD-XX</b> =Top and Side Visors <sup>11</sup> <b>VSHW/NFFLD</b> =Vandal Shield <sup>11</sup> <b>WGHW/NFFLD</b> =Wire Guard <sup>11</sup> <b>WOLC-7P-10A</b> =WaveLinX Outdoor Control Module (7-pin) <sup>12</sup>			

- NOTES:**
- DesignLights Consortium® Qualified. Refer to [www.designlights.org](http://www.designlights.org) Qualified Products List under Family Models for details.
  - Customer is responsible for engineering analysis to confirm pole and fixture compatibility for all applications. Refer to our pole white paper WP513001EN for additional support information.
  - Standard 4000K CCT and minimum 70 CRI. Consult IES file for actual lumen output.
  - Consult factory for driver surge protection values.
  - Only for use with 480V Wye systems. Per NEC, not for use with ungrounded systems, impedance grounded systems or corner grounded systems (commonly known as Three Phase Three Wire Delta, Three Phase High Leg Delta and Three Phase Corner Grounded Delta systems).
  - Only available in C75 and C100 light engines.
  - Fits 2-3/8" to 3" O.D. tenon, wire leads run through slipfitter.
  - Extended lead times apply. Use dedicated IES files for 3000K, 5000K and 5700K when performing layouts. These files are published on the Night Falcon large luminaire product page on the website.
  - Must order with dimming driver.
  - Replace XX with paint color.
  - Cannot combine TS2HW/NFFLD (Top and Side Visor), VSHW/NFFLD (Vandal Shield), or WGHW/NFFLD (Wire Guard), limited to one external guard per fixture.
  - Requires 7-pin NEMA twistlock photocontrol receptacle and Universal (120-277V) voltage operation. The WOLC-7 cannot be used in conjunction with additional sensors or controls.
  - Only product configurations with these designated prefixes are built to be compliant with the Buy American Act of 1933 (BAA) or Trade Agreements Act of 1979 (TAA), respectively. Please refer to DOMESTIC PREFERENCES website for more information. Components shipped separately may be separately analyzed under domestic preference requirements.
  - Accessories sold separately will be separately analyzed under domestic preference requirements. Consult factory for further information.
  - Only product configurations with these prefixes are built to be compliant with the Buy American Act of 1933 (BAA) or the Build America Buy America Act (BABA). BABA is the minimum Government compliance requirement for the Build America Buy America standards which is part of the Infrastructure and Investment Jobs Act (IIJA). Individual Government Agencies may have more stringent compliance standards. BABAE designates the product will meet the standards set for FHWA. As noted these projects must receive Government Funding by October 1, 2025. BABAF designates the product will meet the standards set for FHWA and FTA. As noted these projects must receive Government Funding by October 1, 2026. Please refer to the [DOMESTIC PREFERENCES](#) website or consult the CLS Domestic Preferences team for more information. Components shipped separately may be separately analyzed under domestic preference requirements.

## Stock Ordering Information

Stock Sample Number: NFFLD-L-C100-S

Series	Light Engine	Mounting	Voltage
NFFLD-L=Night Falcon Large	<b>C100</b> =33,900 Nominal Lumens <b>C75</b> =25,900 Nominal Lumens	<b>S</b> =Slipfitter <b>T</b> =Trunnion	<b>[Blank]</b> =120-277V <b>347</b> =347V

**NOTES:** Options not available with stock products. Order accessories as separate items for field installation. Refer to standard ordering information to add options. Refer to In-Stock Guide for availability. Stock fixture is 4000K, non-dimming, 6x6 distribution, 120-277V or 347V, carbon bronze only. 347V only available with PC2.

## Product Specifications

### Construction

- Heavy-duty, die-cast aluminum housing, driver compartment, and driver housing door
- Driver compartment and optical chamber are IP66 rated
- Driver maintenance access via removable door using pan head screws
- One-piece silicone gasket seals the door to the fixture housing

### Optics

- Vacuum-metallized reflector for high-efficiency illumination
- NEMA type 6H x 6V and 3H x 3V distributions available
- Clear, tempered glass lens with full circumference form-in-place silicone gasket protects optics from damage

### Electrical

- LED driver is mounted to removable die-cast aluminum door
- Standard 0-10V dimming
- Integral 6kV surge is standard
- Ambient operating temperatures from -40°C to 40°C
- Greater than 93% lumen maintenance expected at 60,000 hours per IESNA TM-21

### Mounting

- Suitable for mounting within 4' (1.2m) of the ground
- Heavy-gauge steel trunnion and yoke mounts are supplied with 3ft of pre-wired 14/3 SOW wet location rated cord
- Die-cast aluminum slipfitter with a tooth-lock adjustment that can be adjusted in 5° increments. Slipfitter mounts to 2-3/8" or 3" O.D. tenons
- Effective Projected Area: 2.5 sq. ft.

### Compliance

- DLC and DLC Premium listed – visit [designlights.org](http://designlights.org) to confirm listed variations
- BAA domestic preference option meets BAA requirements
- Products that meet BABA Domestic Preference Requirements
- This Cooper product is manufactured in the US and meets the BABA cost of components rule. To verify a configured product with specific accessories and options meets BABA Domestic Preference Requirements; submit this catalog number to Cooper Lighting Quotation team for validation by our Engineering and Manufacturing teams. Our BABA designation is based on the minimum compliance requirement for BABA. Individual Government Agencies may have more stringent compliance standards.

- Please refer to the DOMESTIC PREFERENCES website or consult the CLS Domestic Preferences team for more information. Components shipped separately may be separately analyzed under domestic preference requirements.
- Please refer to the [DOMESTIC PREFERENCES](http://DOMESTIC PREFERENCES) website or consult the CLS Domestic Preferences team for more information. Components shipped separately may be separately analyzed under domestic preference requirements.

### Finish

- Housing and cast parts finished in five-stage super TGIC polyester powder coat paint, 2.5 mil nominal thickness for superior protection against fade and wear

### Shipping Data

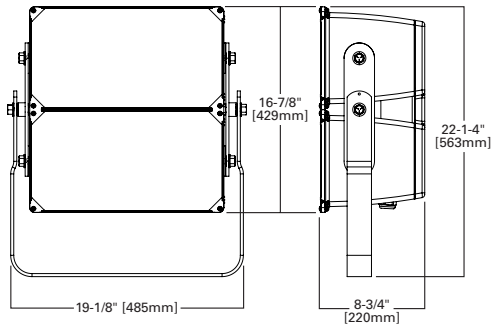
- Approximate net weight: 48 lbs. (22 kgs.)
- Approximate Net Weight: 55 lbs. (25 kgs.) - with Yoke

### Warranty

- Five-year limited warranty. Consult website for details. [www.cooperlighting.com/legal](http://www.cooperlighting.com/legal)

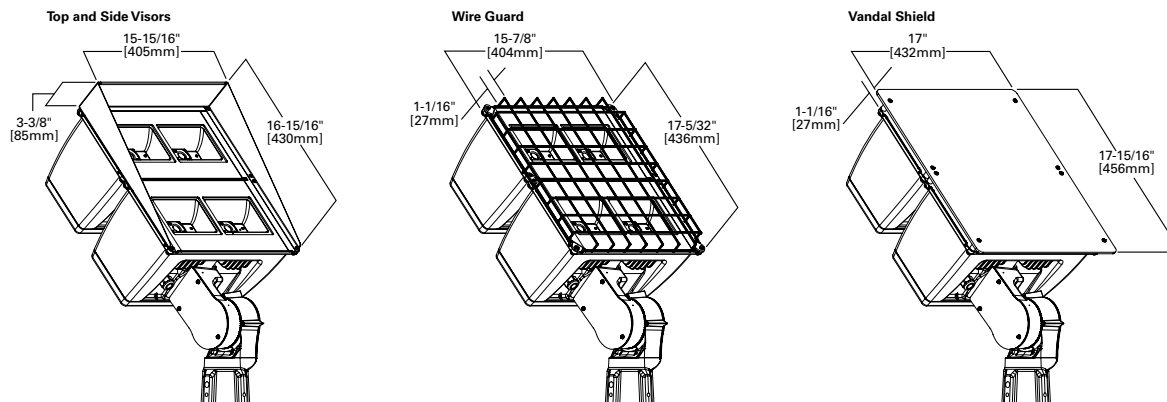
## Dimensional Details

### Yoke Mount Dimensions

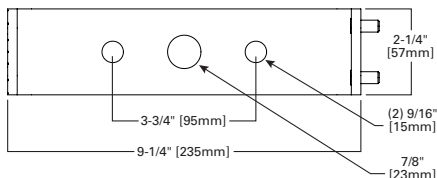


## Mounting Details

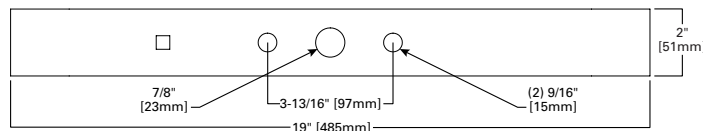
### Accessories



### Trunnion Mount Drilling Patterns



### Yoke Mount Drilling Patterns



## Energy and Performance Data

### Power and Lumens

C75 LED	6x6				3x3			
	NFFLD-L-C75	NFFLD-L-C75-7030	NFFLD-L-C75-7050	NFFLD-L-C75-7060	NFFLD-L-C75	NFFLD-L-C75-7030	NFFLD-L-C75-7050	NFFLD-L-C75-7060
Delivered Lumens	25,444	24,459	25,088	24,689	24,193	23,257	23,855	23,466
CCT (Kelvin)	4000K	3000K	5000K	6000K	4000K	3000K	5000K	6000K
CRI (Color Rendering Index)	70	70	70	70	70	70	70	70
Power Consumption (Watts)	179W	179W	179W	179W	236W	236W	236W	236W
C100 LED	NFFLD-L-C100	NFFLD-L-C100-7030	NFFLD-L-C100-7050	NFFLD-L-C100-7060	NFFLD-L-C100	NFFLD-L-C100-7030	NFFLD-L-C100-7050	NFFLD-L-C100-7060
Delivered Lumens	33,289	32,001	32,823	32,301	28,739	27,627	28,337	27,886
CCT (Kelvin)	4000K	3000K	5000K	6000K	4000K	3000K	5000K	6000K
CRI (Color Rendering Index)	70	70	70	70	70	70	70	70
Power Consumption (Watts)	252W	252W	252W	252W	284W	284W	284W	284W
C125 LED	NFFLD-L-C125	NFFLD-L-C125-7030	NFFLD-L-C125-7050	NFFLD-L-C125-7060				
Delivered Lumens	37,481	36,474	37,859	36,357				
CCT (Kelvin)	4000K	3000K	5000K	6000K				
CRI (Color Rendering Index)	70	70	70	70				
Power Consumption (Watts)	268W	268W	268W	268W				
C150 LED	NFFLD-L-C150	NFFLD-L-C150-7030	NFFLD-L-C150-7050	NFFLD-L-C150-7060				
Delivered Lumens	42,271	41,134	42,697	41,002				
CCT (Kelvin)	4000K	3000K	5000K	6000K				
CRI (Color Rendering Index)	70	70	70	70				
Power Consumption (Watts)	316W	316W	316W	316W				
C175 LED	NFFLD-L-C175	NFFLD-L-C175-7030	NFFLD-L-C175-7050	NFFLD-L-C175-7060				
Delivered Lumens	47,106	45,840	47,581	45,693				
CCT (Kelvin)	4000K	3000K	5000K	6000K				
CRI (Color Rendering Index)	70	70	70	70				
Power Consumption (Watts)	371W	371W	371W	371W				

### Current Draw

Voltage (V)	6x6					3x3	
	NFFLD-L-C75	NFFLD-L-C100	NFFLD-L-C125	NFFLD-L-C150	NFFLD-L-C175	NFFLD-L-C75	NFFLD-L-C100
	Current (A)	Current (A)	Current (A)	Current (A)	Current (A)	Current (A)	Current (A)
120V	1.499	2.141	2.279	2.688	3.155	2.008	2.391
277V	0.661	0.923	0.991	1.155	1.341	0.859	1.039
347V	0.539	0.760	0.784	0.924	1.082	0.692	0.841
480V	0.398	0.548	0.565	0.666	0.772	0.509	0.639

### Lumen Maintenance

Ambient Temperature	TM-21 Lumen Maintenance (50,000 Hours)	Theoretical L70 (Hours)
25°C	90.3%	>164,000
40°C	88.9%	>158,000

### Lumen Multiplier

Ambient Temperature	Lumen Multiplier
10°C	1.03
15°C	1.02
25°C	1.00
40°C	0.97