

DESCRIPTION

Hollywood 1702 is an ultra-compact low voltage image projector for use with an MR16 lamp source. Its rugged construction, petite scale and contemporary design make it ideal for indoor or outdoor image projection applications. The precision ground lens/condenser system projects clear, crisp images. It accepts industry standard Micro-E steel gobos. The fully adjustable mounting yoke utilizes a unique clutch locking mechanism for easy, precise aiming. Lumière's exclusive Siphon Protection System (S.P.S.) prevents water from siphoning into the fixture through its own lead wires.

Catalog #		Type
Project		
Comments		Date
Prepared by		

SPECIFICATION FEATURES

A ... Material

Housing and hood are precision-machined from corrosion-resistant 6061-T6 aluminum billet. Heavy-duty mounting yoke is fabricated from corrosion-resistant silicone aluminum.

B ... Finish

Fixtures are double protected by a chromate conversion undercoating and polyester powdercoat paint finish, surpassing the rigorous demands of the outdoor environment. A variety of standard colors are available.

C ... Hood

Hood is removable for easy relamping. The flush lens design minimizes debris collection and prevents water and mineral stains from collecting on the lens. Optional, factory installed safety chain prevents hood assembly from falling during relamping (specify option -SCH).

D ... Lamp Housing

Lamp housing includes captive, quick-release fasteners for easy relamping without disturbing aim or focus of fixture.

E ... Gasket

Housing and hood are sealed with a high temperature silicone o-ring gasket to prevent water intrusion.

F ... Lens

Tempered glass lens, factory sealed with high temperature adhesive to prevent water intrusion and breakage due to thermal shock.

G ... Mounting Yoke

Fully adjustable mounting yoke utilizes a unique clutch locking mechanism for easy, precise aiming. Stainless steel aim-locking mechanisms are standard.

H ... Hardware

Stainless steel hardware is standard to provide maximum corrosion-resistance.

I ... Socket

Ceramic socket with 250° C Teflon® coated lead wires and GU5.3 bi-pin base.

J ... Electrical

Remote 12V transformer required (not included). Available from Lumière as an accessory - see the Accessories & Technical Data section of this catalog for details.

K ... Lamp

Not included. Available from Lumière as an accessory - see reverse side of this page.

L ... Gobos

Industry standard Micro-E steel gobos provided by others. Standard or custom gobos can be purchased from Rosco Laboratories (800-767-2669 / www.rosco.com).

M ... Labels & Approvals

UL and cUL listed, standard wet label. Manufactured to ISO 9001-2000 Quality Systems Standard. IBEW union made. Suitable for outdoor wall or ground mounting. Also suitable for indoor wall or ceiling mounting.

N ... Warranty

Lumière warrants its fixtures against defects in materials & workmanship for three (3) years. Auxiliary equipment such as transformers, ballasts and lamps carry the original manufacturer's warranty.



HOLLYWOOD

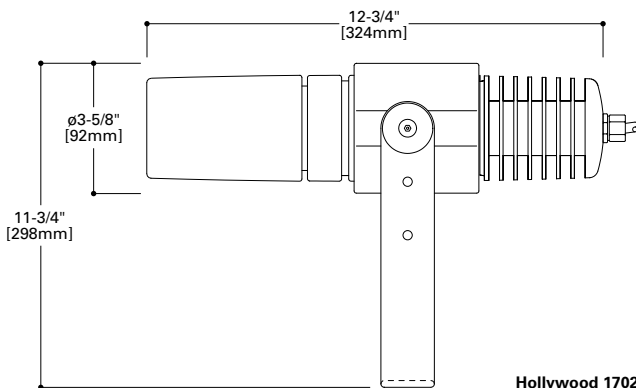
1702

75W (max.) MR16

Halogen

Low Voltage

Projector



Test No. H45035

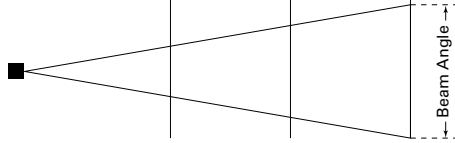
Hollywood 1702

Lamp=75MR16/NSP
(EYF)

CBCP=12,300

Cone of Light

Peak Focus	20fc	9fc	5fc
Beam Diameter	4'6"	7'0"	9'0"
Distance	10'	15'	20'



NOTES

For Beam Diameter at a specific distance multiply distance by beam multiplier

Beam angle	Beam multiplier
34°	0.45

LAMP INFORMATION

Lamp	ANSI Code	Watts	Beam Spread	CBCP	°K	Life (hrs.)	Base	Volts
75MR16/NSP	EYF	75	14°	12,300	3050	4000	GU5.3 bi-pin	12

NOTE: Inferior quality lamps may adversely affect the performance of this product. Use only name brand lamps from reputable lamp manufacturers.

NOTES AND FORMULAS

- Beam diameter is to 50% of maximum footcandles, rounded to the nearest half-foot.
- Footcandle values are initial. Apply appropriate light loss factors where necessary.

ORDERING INFORMATION



Series
1702=75W Max MR16
Hollywood Projector

Source
Halogen
75MR16=75W Max Halogen MR16,
GU5.3 Base

Voltage
12=12V

Finish
Painted
BK=Black
BZ=Bronze
CS=City Silver
VE=Verde
WT=White

Options
SCH=Safety Chain

Accessories

Filters

- F71= Peach Dichroic Filter, 2.00" Dia
- F72= Amber Dichroic Filter, 2.00" Dia
- F73= Green Dichroic Filter, 2.00" Dia
- F74= Medium Blue Dichroic Filter, 2.00" Dia
- F75= Yellow Dichroic Filter, 2.00" Dia
- F76= Red Dichroic Filter, 2.00" Dia
- F77= Dark Blue Dichroic Filter, 2.00" Dia
- F78= Light Blue Dichroic Filter, 2.00" Dia
- F79= Neutral Density Dichroic Filter, 2.00" Dia
- F80= Magenta Dichroic Filter, 2.00" Dia
- F22= Red Color Filter, 2.00" Dia
- F33= Blue Color Filter, 2.00" Dia
- F44= Green Color Filter, 2.00" Dia
- F55= Yellow Color Filter, 2.00" Dia
- F66= Mercury Vapor Color Filter, 2.00" Dia

Optical Lenses

- LSL= Linear Spread Lens (elongate standard beam spread), 2.00" Dia
- OSL= Overall Spread Lens (increase beam spread), 2.00" Dia
- DIF= Diffused Lens (provide even illumination), 2.00" Dia

Optical Louver

- LVR= Hex Cell Louver (reduce glare), 2.00" Dia

Lamps

- EZX= 20W MR16 GU5.3 Bi-Pin Very Narrow Spot
- ESX= 20W MR16 GU5.3 Bi-Pin Narrow Spot
- BAB= 20W MR16 GU5.3 Bi-Pin Flood
- FRB= 35W MR16 GU5.3 Bi-Pin Narrow Spot
- FRA= 35W MR16 GU5.3 Bi-Pin Spot
- FMW= 35W MR16 GU5.3 Bi-Pin Flood
- EXT= 50W MR16 GU5.3 Bi-Pin Narrow Spot
- EXZ= 50W MR16 GU5.3 Bi-Pin Narrow Flood
- EXN= 50W MR16 GU5.3 Bi-Pin Flood
- FNW= 50W MR16 GU5.3 Bi-Pin Very Wide Flood
- EYF= 75W MR16 GU5.3 Bi-Pin Narrow Spot
- EYJ= 75W MR16 GU5.3 Bi-Pin Narrow Flood
- EYC= 75W MR16 GU5.3 Bi-Pin Flood

- Notes:**
- * Lamp not included.
 - * 12V remote transformer required - not included.
 - * See ACCESSORIES & TECHNICAL DATA section of the Lumière catalog for Low Voltage Cable & Transformers.
 - * Consult your Cooper Lighting Solutions representative for additional options and finishes.