

| | | | | | |
|-------------|--|-----------|--|------|--|
| Project | | Catalog # | | Type | |
| Prepared by | | Notes | | Date | |



Streetworks

USSSL LED

Area / Site Luminaire

Product Features



Product Certifications



Interactive Menu

- Ordering Information page 2
- Mounting Details page 3, 4
- Optical Configurations page 5
- Product Specifications page 5
- Energy and Performance Data page 6, 7
- Control Options page 8

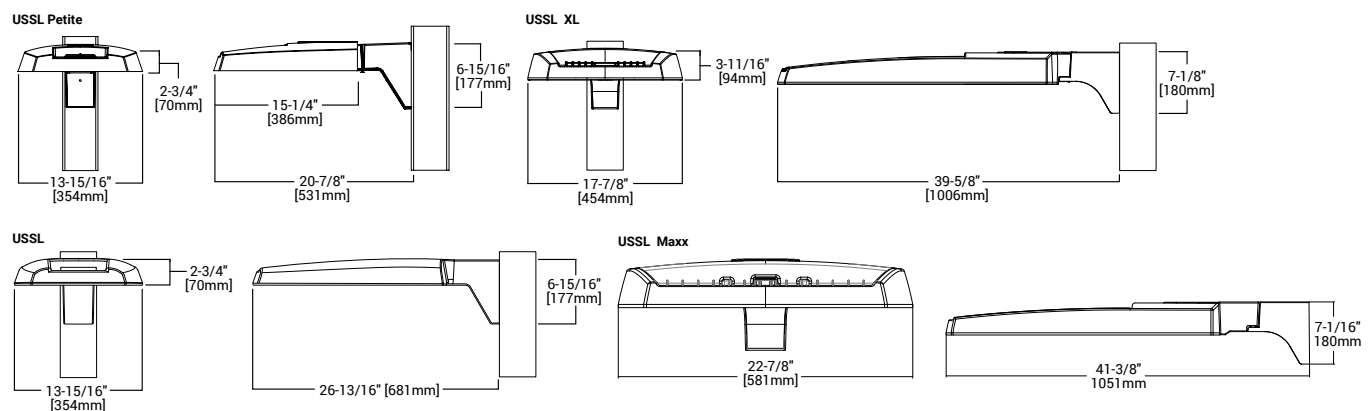
Quick Facts

- Lumen packages range from 4,800 - 84,000 lumens (35W - 588W)
- Replaces 70W up to 1,000W HID equivalents
- Efficacies up to 160 lumens per watt
- Energy and maintenance savings up to 85% versus HID solutions
- Standard universal quick mount arm with universal drill pattern

Connected Systems

- WaveLinx PRO Wireless

Dimensional Details



NOTES:
 1. Visit <https://www.designlights.org/search/> to confirm qualification. Not all product variations are DLC qualified.
 2. DarkSky approved for 3000K CCT and warmer, with mounting options less than 10° of tilt

Ordering Information

SAMPLE NUMBER: USSL-XL-C75-D-UNV-T4-SA-BZ

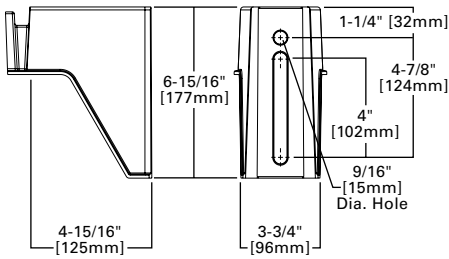
| Product Family ^{1,2} | Light Engine ⁴ | Driver | Voltage | Distribution | Mounting | Color |
|---|---|-------------------|--|--|---|--|
| USSL-P=USSL Petite BAA-USSL-P=USSL Petite BAA Compliant ³ TAA-USSL-P=USSL Petite TAA Compliant ³ BABA-USSL-P =Build America Buy America Act ³ | C014=(1 LED) Approx. 40% Output C016=(1 LED) Approx. 60% Output C018=(1 LED) Approx. 80% Output C01=(1 LED) Full Output | D=Dimming (0-10V) | U=Universal (120-277V) 9=347V 8=480V ⁵ H= 347-480V D=DuraVolt (277-480V) ^{5,6} | T2=Type II T3=Type III T4=Type IV T5=Type V | SA=Standard Versatile Arm MA=Mast Arm FMA= Fixed Mast Arm ²⁷ WM=Wall Mount Arm ADJA-WM=Adjustable Arm - Wall Mount ADJA=Adjustable Arm - Pole Mount ADJS=Adjustable Arm - Slipfitter, 3in vertical tenon ²⁹ SP2= Adjustable Arm - Slipfitter, 2 3/8" vertical tenon ^{27,29} | BZ=Bronze AP=Grey BK=Black DP=Dark Platinum GM=Graphite Metallic WH=White |
| USSL=USSL BAA-USSL=USSL BAA Compliant ³ TAA-USSL=USSL TAA Compliant ³ BABA-USSL=Build America Buy America Act ³ | C01=(1 LED) Full Output C027=(2 LED) Approx. 70% Output C029=(2 LED) Approx. 90% Output C02=(2 LED) Full Output | | | | | |
| USSL-XL=USSL XL BAA-USSL-XL=USSL XL BAA Compliant ³ TAA-USSL-XL=USSL XL TAA Compliant ³ BABA-USSL-XL=Build America Buy America Act ³ | C047=(4 LED) Approx. 70% Output C049=(4 LED) Approx. 90% Output C04=(4 LED) Full Output C069=(6 LED) Approx. 90% Output C06=(6 LED) Full Output | | | | | |
| USSL-M=USSL Maxx BAA-USSL-M= USSL Maxx BAA Compliant ³ TAA-USSL-M=USSL Maxx TAA Compliant ³ BABA-USSL-M=Build America Buy America Act ³ | C097=(9 LED) Approx. 65% Output C098=(9 LED) Approx. 75% Output C099=(9 LED) Approx. 90% Output C09=(9 LED) Full Output | | | | | |

| Options (Add as Suffix) | Accessories (Order Separately) ^{20,21} |
|---|--|
| <p>7030=70 CRI / 3000K CCT ⁷ 7050=70 CRI / 5000K CCT ⁷ CC=Coastal Construction finish ¹⁰ HSS=House Side Shield ⁸ L90=Optics Rotated 90° Left ²⁷ R90=Optics Rotated 90° Right ²⁷ 10MSP=10kV MOV Surge Protective Device 10K=10kV UL 1449 Fused Surge Protective Device 20MSP=20kV MOV Surge Protective Device 20K=Series 20kV UL 1449 Surge Protective Device HA=50°C High Ambient Temperature ⁹ TH=Tool-less Door Hardware FADC=Field Adjustable Dimming Controller ³⁰ 4=NEMA 3-PIN Twistlock Photocontrol Receptacle ¹¹ 4N7=NEMA 7-PIN Twistlock Photocontrol Receptacle ¹¹ MS/DIM-L08= Dimming Motion and Daylight Sensor, IR Remote Programmable, < 8' Mounting Height ^{12,13,22} MS/DIM-L20=Dimming Motion and Daylight Sensor, IR Remote Programmable, 8' - 20' Mounting ^{12,13} MS/DIM-L40=Dimming Motion and Daylight Sensor, IR Remote Programmable, 21' - 40' Mounting ^{12,13} SPB1=Dimming Motion and Daylight Sensor, Bluetooth Programmable, < 8' Mounting Height ^{12,14,22} SPB2=Dimming Motion and Daylight Sensor, Bluetooth Programmable, 8' - 20' Mounting Height ^{12,14,27,28} SPB4=Dimming Motion and Daylight Sensor, Bluetooth Programmable, 21' - 40' Mounting ^{12,14,27} WPS2XX=WaveLinX Pro, SR Driver, Dimming Motion and Daylight, WAC Programmable, 7' - 15' Mounting ^{12,15,16,17,31} WPS4XX=WaveLinX Pro, SR Driver, Dimming Motion and Daylight, WAC Programmable, 15' - 40' Mounting ^{12,15,16,17,31} (See Table Below)=LumenSafe Integrated Network Security Camera ^{18,19} DXXXX=Department of Transportation - Customer specific details ²⁷ UXXXX=Utility - Customer specific details ²⁷</p> | <p>USSLSA-XX=Standard Arm Mounting Kit ²² USSLMA-XX=Mast Arm Mounting Kit ²² USSLWM-XX=Wall Mount Kit ²² USSL-ADJA-XX=Adjustable Arm - Pole Mount Kit ²² USSL-ADJS-XX=Adjustable Arm - Slipfitter Kit ²² USSL-ADJA-WM-XX=Adjustable Arm - Wall Mount Kit ²² USSLXLSA-XX=Standard Arm Mounting Kit ²² USSLXLSMA-XX= Mast Arm Mounting Kit ²² USSLXLSWM-XX=Wall Mount Kit ²² USSL-XL-ADJA-XX=Adjustable Arm - Pole Mount Kit ²⁸ USSL-XL-ADJS-XX=Adjustable Arm - Slipfitter Kit ²⁸ USSL-XL-ADJA-WM-XX=Adjustable Arm - Wall Mount Kit ²⁸ USSL-M-ADJA-XX=Adjustable Arm - Pole Mount Kit ²⁷ USSL-M-ADJS-XX=Adjustable Arm - Slipfitter Kit ²⁷ USSL-M-ADJA-WM-XX=Adjustable Arm - Wall Mount Kit ²⁷ MA1010-XX=Single Tenon Adapter for 3-1/2" O.D. Tenon MA1011-XX=2@180° Tenon Adapter for 3-1/2" O.D. Tenon MA1017-XX=Single Tenon Adapter for 2-3/8" O.D. Tenon MA1018-XX=2@180° Tenon Adapter for 2-3/8" O.D. Tenon SRA238=Tenon Adapter from 3" to 2-3/8" USSL/COB-FDV=Full Drop Visor ²³ USSL/COB-FDV=Full Drop Visor ²³ HS/VERD=House Side Shield Kit ^{8,24} VGS-F/B=Vertical Glare Shield Kit, Front/Back ²⁴ VGS-SIDE=Vertical Glare Shield Kit, Side ²⁴ OA/RA1013=Photocontrol Shorting Cap OA/RA1014=NEMA Photocontrol - 120V OA/RA1016=NEMA Photocontrol - Multi-Tap 105-285V OA/RA1201=NEMA Photocontrol - 347V OA/RA1027=NEMA Photocontrol - 480V FSIR-100=Wireless Configuration Tool for Occupancy Sensor ²⁵ WOLC-7P-10A=WaveLinX Outdoor Control Module (7-PIN) ²⁷</p> |

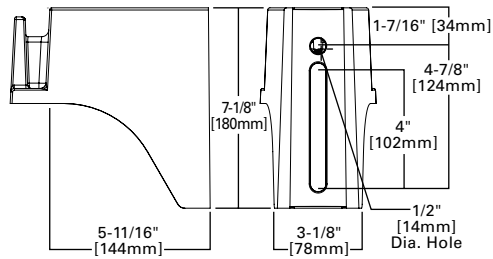
- NOTES:**
- DesignLights Consortium® Qualified. Refer to www.designlights.org Qualified Products List under Family Models for details.
 - Customer is responsible for engineering analysis to confirm pole and fixture compatibility for all applications. Refer to installation instructions IB500002EN and pole white paper WP513001EN for additional support information.
 - Only product configurations with these prefixes are built to be compliant with the Buy American Act of 1933 (BAA) or the Build America Buy America Act (BABA). BABA is the minimum Government compliance requirement for the Build America Buy America standards which is part of the Infrastructure and Investment Jobs Act (IIJA). Individual Government Agencies may have more stringent compliance standards. Please refer to the [DOMESTIC PREFERENCES](https://www.dome.com) website or consult the CLS Domestic Preferences team for more information. Components shipped separately may be separately analyzed under domestic preference requirements.
 - Standard 4000K CCT and 70CRI.
 - 480V not to be used with ungrounded or impedance grounded systems.
 - DuraVolt drivers feature added protection from power quality issues such as loss of neutral, transients and voltage fluctuations. Visit www.signify.com/duravolt for more information.
 - Use dedicated IES files on product website for non-standard CCTs.
 - Option will come factory-installed. House Side Shield not suitable with T5 distribution. Not available with USSL-C60 lumen package.
 - Not available with USSL-C60 lumen package. Not available with USSL-P-C25 lumen package.
 - Coastal construction finish salt spray tested to over 5,000-hours per ASTM B117, with a scribe rating of 9 per ASTM D1654. Not available with TH option.
 - If DuraVolt (DV) is specified, use a photocontrol that matches the input voltage used.
 - Controls system is not available in combination with a photocontrol receptacle (4 or 4N7) or another controls system (MS or SPB). Option not available with DuraVolt (DV) voltage option.
 - Utilizes the Wattstopper sensor FSP-211. Sensor color white unless specified otherwise via PDR. To field-configure, order FSIR-100 accessory separately.
 - Utilizes the Wattstopper sensor FSP-3XX series. Sensor color determined by product finish. See Sensor Color Reference Table. Field-configures via mobile application. See Controls section for details.
 - Sensor passive infrared (PIR) may be overly sensitive when operating below -20°C (-4°F).
 - For the device to be field-configurable, requires WAC Gateway components WAC-PoE and WPE-120 in appropriate quantities. Only compatible with WaveLinX system and software and requires system components to be installed for operation. See website for more WaveLinX application information.
 - Replace XX with sensor color (WH, BZ, or BK).
 - Only available in USSL-XL configurations C75, C100, C125, C150, or C175.
 - Not available with 347V, 480V, DV, or HA options. Consult LumenSafe system product pages for additional details and compatibility information.
 - Replace XX with paint color.
 - For BAA or TAA requirements, Accessories sold separately will be separately analyzed under domestic preference requirements. Consult factory for further information.
 - Not for use with USSL-XL or USSL-M configurations.
 - Only for use with USSL. Not applicable to USSL-M, USSL-XL, or USSL-P.
 - Must order one per optic/LED when ordering as a field-installable accessory (1, 2, 4, 6 or 9).
 - This tool enables adjustment to Motion Sensor (MS) parameters including high and low modes, sensitivity, time delay, cutoff and more. Consult your lighting representative for more information.
 - Requires 7-PIN NEMA twistlock photocontrol receptacle (4N7) option. The WOLC-7 cannot be used in conjunction with other controls systems (MS or LWR). Operates on 120-347V input voltages.
 - Only available for USSL-M configurations.
 - Only for use with USSL-XL.
 - Fixed for USSL-M.
 - Cannot be used with 4N7 or other motion response control options.
 - Controls system is not available with photocontrol receptacles (PR, PR7) or other controls systems (FADC, SPBx).

Mounting Details

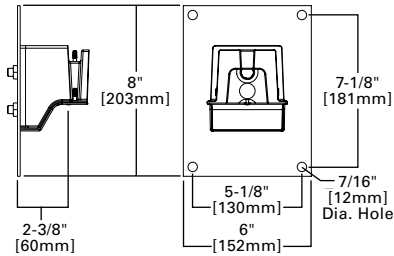
SA=QM Pole Mount Arm (USSL & USSL-P)



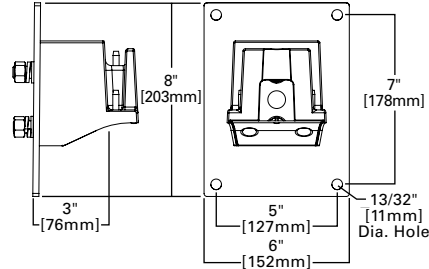
SA=QM Pole Mount Arm (USSL-XL)



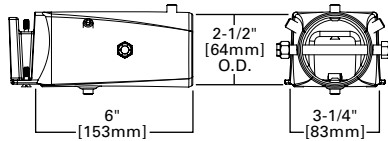
WM=QM Wall Mount Arm (USSL & USSL-P)



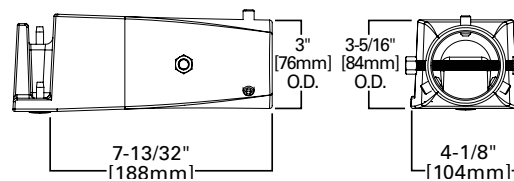
WM=QM Wall Mount Arm (USSL-XL)



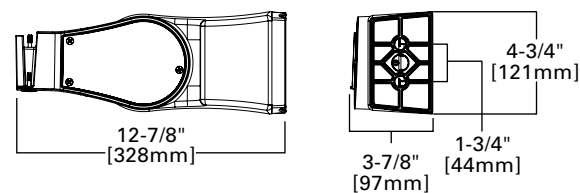
MA=QM Mast Arm (USSL & USSL-P)



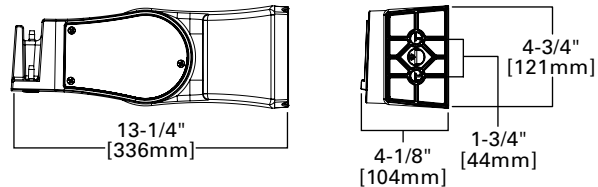
MA=QM Mast Arm (USSL-XL)



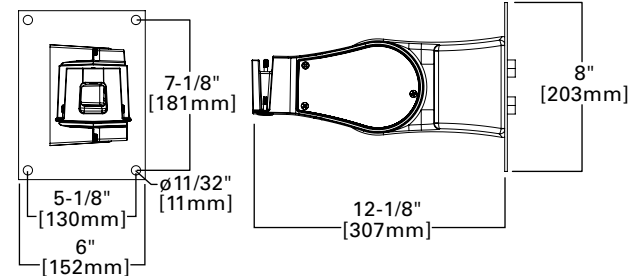
ADJA=Adjustable Arm Pole Mount (USSL & USSL-P)



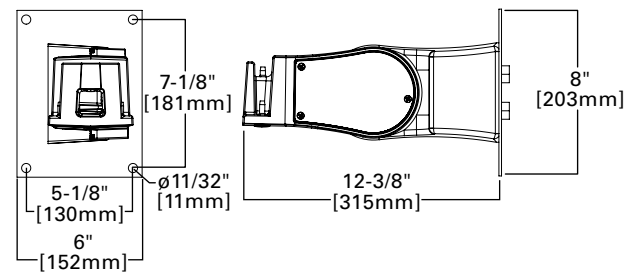
ADJA=Adjustable Arm Pole Mount (USSL-XL)



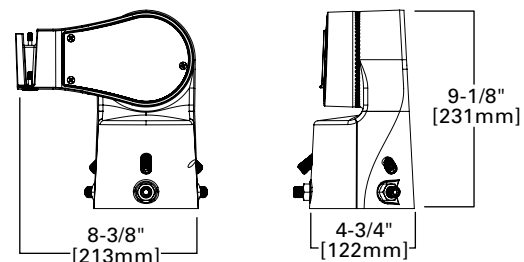
ADJA-WM=Adjustable Arm Wall Mount (USSL & USSL-P)



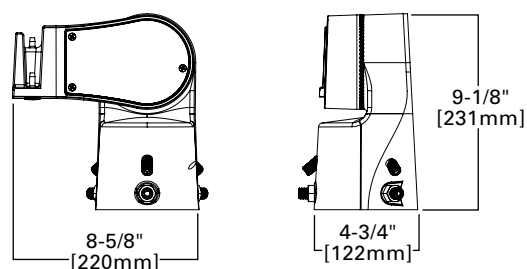
ADJA-WM=Adjustable Arm Wall Mount (USSL-XL)



ADJS=Adjustable Slipfitter 3 (USSL & USSL-P)

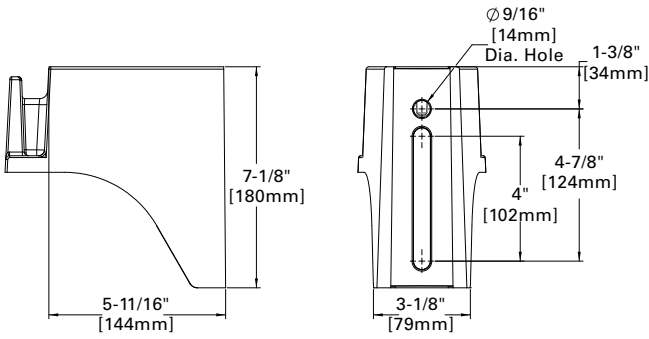


ADJS=Adjustable Slipfitter 3 (USSL-XL)

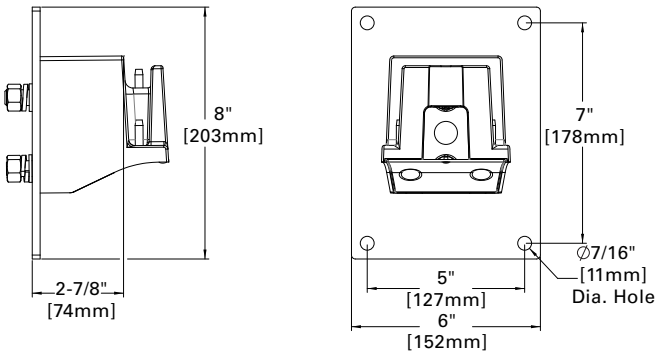


Mounting Details

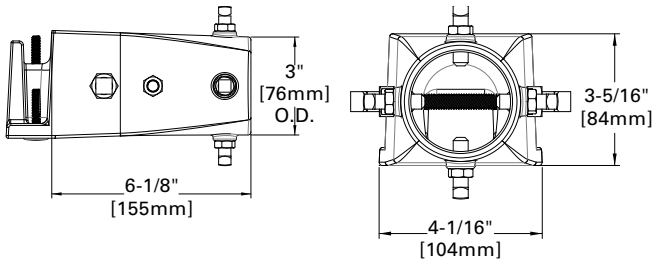
SA=QM Pole Mount Arm (USSL-M)



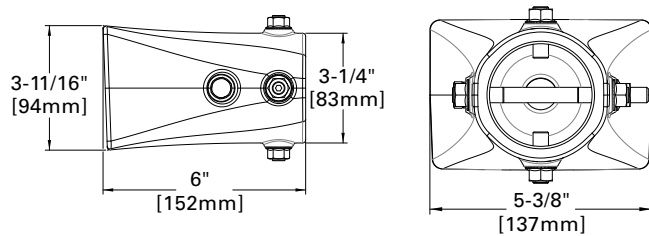
WM=QM Wall Mount Arm (USSL-M)



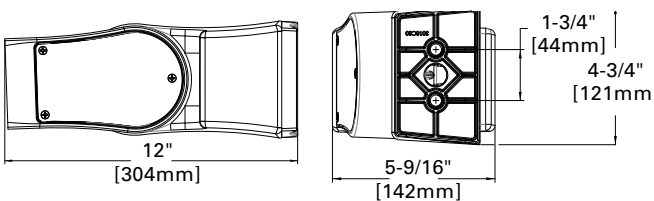
MA=QM Mast Arm (USSL-M)



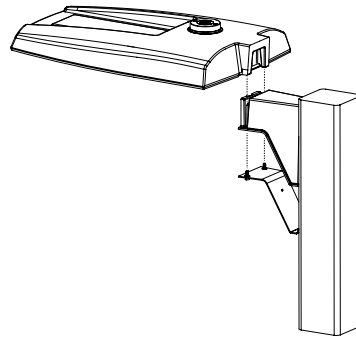
FMA=Fixed Mast Arm (USSL-M)



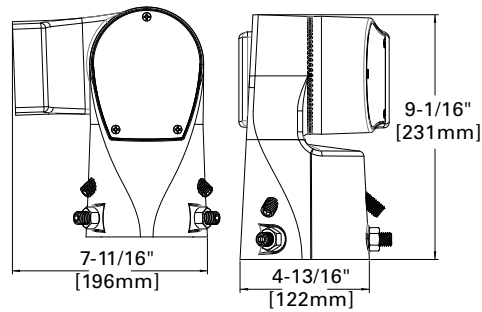
ADJA=Adjustable Pole Mount Arm (USSL-M)



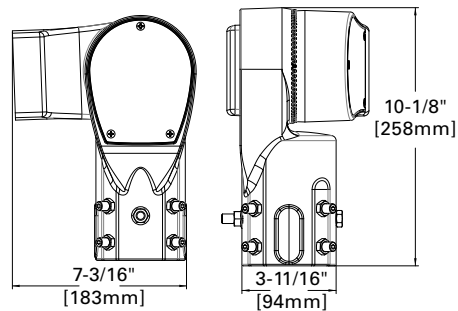
Versatile Mount System



ADJS=Adjustable Slipfitter (USSL-M)



SP2=Adjustable Slipfitter 2-3/8\" (USSL-M)



Mounting Details

Mounting Configurations and EPAs

NOTE: For 2 USSL's mounted at 90°, requires minimum 3" square or 4" round pole for fixture clearance. For 2 USSL-XL's mounted at 90°, requires minimum 4" square or round pole for fixture clearance. Customer is responsible for engineering analysis to confirm pole and fixture compatibility for applications

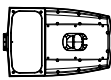
| Housing Size | Tilt Angle (Degrees) | Arm Mount Single | Arm Mount 2 @ 180° | Arm Mount 2 @ 90° | Arm Mount 3 @ 90° | Arm Mount 4 @ 90° |
|--------------|-----------------------|------------------|--------------------|-------------------|-------------------|-------------------|
| USSL Petite | 0° | 0.54 | 1.08 | 0.84 | 1.38 | 1.38 |
| | 60° | 1.68 | 1.85 | 2.42 | 3.15 | 3.30 |
| USSL | 0° | 0.92 | 1.35 | 1.42 | 1.63 | 1.63 |
| | 60° | 2.20 | 2.40 | 3.05 | 3.88 | 4.07 |
| | 60° + Full Drop Visor | 2.20 | 2.40 | 3.25 | 4.28 | 4.47 |
| USSL XL | 0° | 1.12 | 2.25 | 2.13 | 2.52 | 2.52 |
| | 60° | 3.99 | 4.30 | 5.26 | 6.51 | 6.79 |
| | 60° + Full Drop Visor | 3.99 | 4.30 | 5.59 | 7.17 | 7.49 |
| USSL Maxx | 0° | 1.28 | 2.56 | 1.7 | 2.69 | 2.69 |
| | 60° | 5.09 | 5.52 | 6.34 | 7.49 | 7.81 |

Optical Configurations

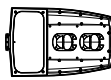
USSL-P-C10/C15/C20/C25
(4,900/6,900/9,800/11,800
Nominal Lumens)



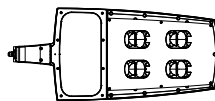
USSL-C15
(7,100 Nominal Lumens)



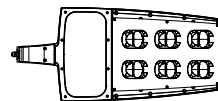
USSL-C25/C40/C60
(13,100/17,100/20,000
Nominal Lumens)



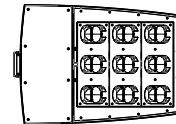
USSL-XL-C75/C100/C125
(26,100/31,000/36,300
Nominal Lumens)



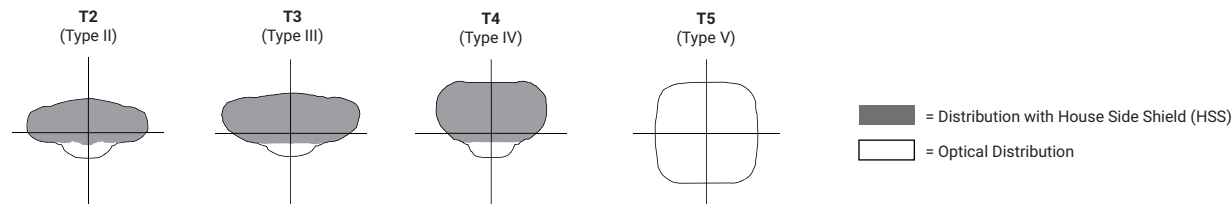
USSL-XL-C150/C175
(41,100/48,600 Nominal Lumens)



USSL-M-PA6X
(50,000/60,000/70,000/80,000
Nominal Lumens)



Optical Distributions



Product Specifications

Construction

- Single-piece die-cast aluminum housing
- Tethered die-cast aluminum door

Optics

- Precision molded polycarbonate optics

Electrical

- -40°C minimum operating temperature
- 40°C maximum operating temperature
- >.9 power factor
- <20% total harmonic distortion
- Class 1 electronic drivers have expected life of 100,000 hours with <1% failure rate
- 0-10V dimming driver is standard with leads external to the fixture
- Three-position terminal block standard
- Luminaire available with the field adjustable dimming controller (FADC) to manually adjust wattage and reduce the total lumen output and light levels. Comes pre-set to the highest position at the lumen output selected.

Mounting

- Versatile, patented, standard mount arm accommodates multiple drill patterns ranging from 1-1/2" to 4-7/8" (Type M drilling recommended for new installations)
- A knock-out on the standard mounting arm enables round pole mounting
- Adjustable pole and wall mount arms adjust in 5° increments from 0° to 60°; Downward facing orientation only (Type N drilling required for ADJA mount)
- Adjustable slipfitter arm adjusts in 5° increments from -5° to 85°; Downward facing orientation only
- USSL and USSL Petite: 3G vibration rated
- USSL XL Mast Arm: 3G vibration rated
- USSL XL Standard Arm: 1.5G vibration rated
- Adjustable Arms: 1.5G vibration rated

Typical Applications

- Parking Lots, Walkways, Roadways and Building Areas

Finish

- Five-stage super TGIC polyester powder coat paint, 2.5 mil nominal thickness
- Finish is compliant to 3,000 hour salt spray standard (per ASTM B117)

Shipping Data

- USSL Petite: 18 lbs. (7.94 kgs.)
- USSL: 20 lbs. (9.09 kgs.)
- USSL XL: 45 lbs. (20.41 kgs.)
- USSL Maxx: 49 lbs. (22.23 kgs.)

Compliance

- IDA Certified 3000K and warmer only
- BAA domestic preference option meets BAA requirements. See DOMESTIC PREFERENCES website or consult the CLS Domestic Preferences team for more information
- FHWA and FTA agencies are utilizing their BAA rules for BABA compliance. Cooper's products with a BAA designation are manufactured in the US and utilize a BAA COTS exemption rule for compliance. To verify a configured product with specific accessories and options meet BABA Domestic Preference Requirements; submit this catalog number to Cooper Lighting Quotation team for validation by our Engineering and Manufacturing teams. Please refer to the [DOMESTIC PREFERENCES](#) website or consult the CLS Domestic Preferences team for more information. Components shipped separately may be separately analyzed under domestic preference requirements.

Warranty

- Five year limited warranty, consult website for details. www.cooperlighting.com/legal

Energy and Performance Data

[View USSL-P IES files](#)
[View USSL IES files](#)
[View USSL-XL IES files](#)

Power and Lumens

| Product Family | USSL Petite | | | | USSL | | | | USSL XL | | | | USSL Maxx | | | | | |
|----------------------------------|---------------------------|----------|----------|----------|----------|----------|----------|----------|----------|----------|----------|----------|-----------|----------|----------|----------|----------|----------|
| Light Engine | C014 | C016 | C018 | C01 | C01 | C027 | C029 | C02 | C047 | C049 | C04 | C069 | C06 | C097 | C098 | C099 | C09 | |
| Power (Watts) | 35 | 49 | 73 | 94 | 52 | 96 | 131 | 153 | 176 | 217 | 264 | 285 | 346 | 346.00 | 418.10 | 486.60 | 587.50 | |
| Input Current @ 120V (A) | 0.29 | 0.41 | 0.61 | 0.79 | 0.43 | 0.80 | 1.09 | 1.32 | 1.50 | 1.84 | 2.21 | 2.38 | 2.92 | 2.89 | 3.49 | 4.06 | 4.90 | |
| Input Current @ 277V (A) | 0.13 | 0.18 | 0.27 | 0.35 | 0.19 | 0.35 | 0.48 | 0.57 | 0.66 | 0.82 | 0.97 | 1.04 | 1.25 | 1.26 | 1.51 | 1.72 | 2.06 | |
| Input Current @ 347V (A) | 0.11 | 0.16 | 0.23 | 0.29 | 0.17 | 0.30 | 0.41 | 0.48 | 0.54 | 0.66 | 0.79 | 0.84 | 1.02 | 1.00 | 1.21 | 1.40 | 1.70 | |
| Input Current @ 480V (A) | 0.08 | 0.12 | 0.17 | 0.22 | 0.12 | 0.22 | 0.30 | 0.35 | 0.40 | 0.48 | 0.57 | 0.62 | 0.74 | 0.73 | 0.88 | 1.00 | 1.21 | |
| Distribution ¹ | | | | | | | | | | | | | | | | | | |
| Type II | 4000K Lumens | 4,775 | 6,717 | 9,542 | 11,521 | 7,123 | 13,205 | 17,172 | 20,083 | 26,263 | 31,231 | 36,503 | 41,349 | 48,876 | 50,349 | 59,444 | 68,447 | 79,322 |
| | BUG Rating | B1-U0-G1 | B1-U0-G1 | B2-U0-G2 | B2-U0-G2 | B2-U0-G2 | B2-U0-G2 | B3-U0-G3 | B3-U0-G3 | B3-U0-G3 | B3-U0-G4 | B4-U0-G4 | B4-U0-G4 | B4-U0-G5 | B4-U0-G5 | B4-U0-G5 | B4-U0-G5 | B5-U0-G5 |
| | Lumens per Watt | 138 | 137 | 131 | 122 | 137 | 138 | 131 | 131 | 149 | 144 | 138 | 145 | 141 | 146 | 142 | 141 | 135 |
| | 3000K Lumens ¹ | 4,869 | 6,595 | 9,369 | 11,312 | 6,994 | 12,965 | 16,860 | 19,718 | 25,786 | 30,664 | 35,840 | 40,598 | 47,989 | 49,437 | 58,368 | 67,208 | 77,886 |
| Type III | 4000K Lumens | 4,782 | 6,727 | 9,556 | 11,538 | 7,111 | 13,183 | 17,144 | 20,050 | 26,120 | 31,061 | 36,304 | 41,124 | 48,610 | 50,162 | 59,223 | 68,193 | 79,027 |
| | BUG Rating | B1-U0-G2 | B1-U0-G2 | B2-U0-G3 | B2-U0-G3 | B1-U0-G2 | B2-U0-G3 | B3-U0-G4 | B3-U0-G4 | B3-U0-G5 | B3-U0-G5 | B3-U0-G5 | B4-U0-G5 | B4-U0-G5 | B4-U0-G5 | B4-U0-G5 | B5-U0-G5 | B5-U0-G5 |
| | Lumens per Watt | 138 | 137 | 131 | 123 | 137 | 137 | 131 | 131 | 148 | 143 | 138 | 144 | 140 | 145 | 142 | 140 | 135 |
| | 3000K Lumens ¹ | 4,695 | 6,605 | 9,383 | 11,329 | 6,982 | 12,944 | 16,832 | 19,686 | 25,646 | 30,497 | 35,645 | 40,377 | 47,727 | 49,254 | 58,151 | 66,958 | 77,596 |
| Type IV | 4000K Lumens | 4,880 | 6,865 | 9,752 | 11,774 | 7,088 | 13,140 | 17,087 | 19,984 | 26,098 | 31,035 | 36,274 | 41,089 | 48,569 | 50,575 | 59,711 | 68,754 | 79,678 |
| | BUG Rating | B1-U0-G2 | B1-U0-G2 | B2-U0-G3 | B2-U0-G3 | B1-U0-G3 | B2-U0-G4 | B2-U0-G4 | B3-U0-G5 | B3-U0-G5 | B3-U0-G5 | B3-U0-G5 | B3-U0-G5 | B4-U0-G5 | B4-U0-G5 | B4-U0-G5 | B4-U0-G5 | B5-U0-G5 |
| | Lumens per Watt | 141 | 140 | 134 | 125 | 136 | 137 | 130 | 131 | 148 | 143 | 137 | 144 | 140 | 146 | 143 | 141 | 136 |
| | 3000K Lumens ¹ | 4,792 | 6,740 | 9,575 | 11,561 | 6,959 | 12,901 | 16,777 | 19,621 | 25,624 | 30,471 | 35,615 | 40,343 | 47,687 | 49,659 | 58,630 | 67,510 | 78,235 |
| Type V | 4000K Lumens | 5,067 | 7,128 | 10,126 | 12,226 | 7,576 | 14,045 | 18,264 | 21,360 | 28,129 | 33,450 | 39,097 | 44,287 | 52,349 | 53,531 | 63,201 | 72,773 | 84,335 |
| | BUG Rating | B3-U0-G2 | B3-U0-G2 | B4-U0-G3 | B4-U0-G3 | B3-U0-G3 | B4-U0-G3 | B4-U0-G4 | B5-U0-G4 | B5-U0-G5 | B5-U0-G5 | B5-U0-G5 | B5-U0-G5 | B5-U0-G5 | B5-U0-G5 | B5-U0-G5 | B5-U0-G5 | B5-U0-G5 |
| | Lumens per Watt | 146 | 145 | 139 | 130 | 146 | 146 | 139 | 140 | 160 | 154 | 148 | 155 | 151 | 155 | 151 | 150 | 144 |
| | 3000K Lumens ¹ | 4,975 | 6,999 | 9,942 | 12,004 | 7,438 | 13,790 | 17,932 | 20,972 | 27,618 | 32,843 | 38,387 | 43,483 | 51,398 | 52,562 | 62,057 | 71,455 | 82,808 |

NOTES:
 1. For 3000K, 5000K or HSS data, refer to published IES files.

Lumen Maintenance

| Configuration | TM-21 Lumen Maintenance (50,000 Hours) | Theoretical L70 (Hours) |
|------------------------------|--|-------------------------|
| USSL and USSL Petite at 25°C | 91.30% | > 194,000 |
| USSL and USSL Petite at 40°C | 87.59% | > 134,000 |
| USSL XL at 25°C | 91.40% | > 204,000 |
| USSL XL at 40°C | 89.41% | > 158,000 |
| USSL Maxx at 25°C | 91.40% | > 204,000 |
| USSL Maxx at 40°C | 89.41% | > 158,000 |

Lumen Multiplier

| Ambient Temperature | Lumen Multiplier |
|---------------------|------------------|
| 10°C | 1.02 |
| 15°C | 1.01 |
| 25°C | 1.00 |
| 40°C | 0.99 |

FADC Settings

| FADC Position | Lumen Multiplier |
|---------------|------------------|
| 1 | 25% |
| 2 | 46% |
| 3 | 55% |
| 4 | 62% |
| 5 | 72% |
| 6 | 77% |
| 7 | 82% |
| 8 | 85% |
| 9 | 90% |
| 10 | 100% |

Note: +/-5% typical value

Sensor Color Reference Table (SPBx)

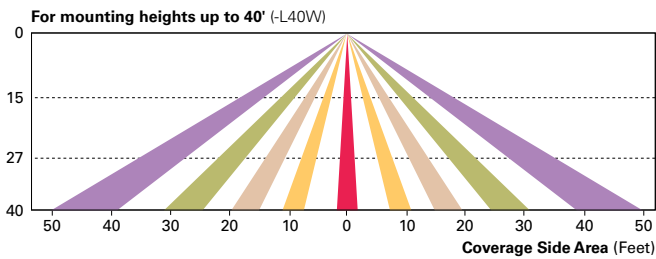
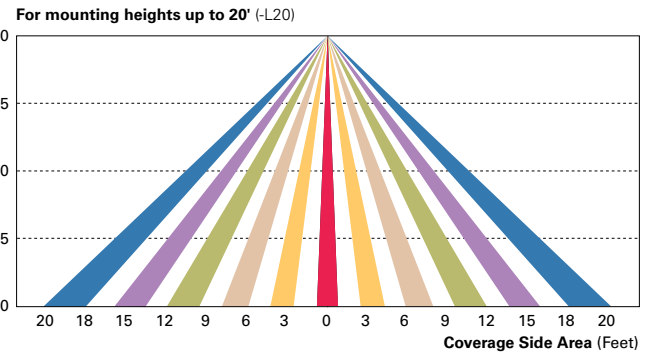
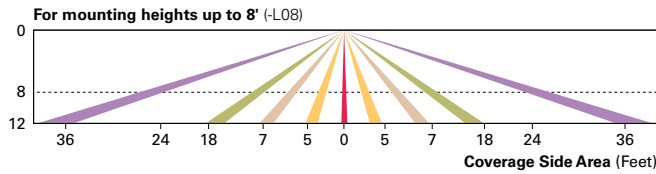
| Housing Finish | Sensor Color |
|----------------------|--------------|
| AP=Grey | Grey |
| BZ=Bronze | Bronze |
| BK=Black | Black |
| DP=Dark Platinum | Grey |
| GM=Graphite Metallic | Black |
| WH=White | White |

Control Options

0-10V This fixture provides 0-10V dimming wire leads for use with a lighting control panel or other control method.

Photocontrol (PR and PR7) Photocontrol receptacles provide a flexible solution to enable "dusk-to-dawn" lighting by sensing light levels. Advanced control systems compatible with NEMA 7-PIN standards can be utilized with the PR7 receptacle.

Dimming Occupancy Sensor (SPB, MS/DIM-LXX) These sensors are factory installed in the luminaire housing. When the SPB or MS/DIM sensor options are selected, the luminaire will dim down after five minutes of no activity detected. When activity is detected, the luminaire returns to full light output. These occupancy sensors include an integral photocell for "dusk-to-dawn" control or "daylight harvesting." Factory default is enabled for the MS sensors and disabled for the SPB. SPB motion sensors require the Sensor Configuration mobile application by Wattstopper to change factory default dimming level, time delay, sensitivity and other parameters. Available for iOS and Android devices. The SPB sensor is factory preset to dim down to approximately 10% power with a time delay of five minutes.



WaveLinx Wireless Control and Monitoring System Available in 7-PIN or 4-PIN configurations, the WaveLinx Outdoor control platform operates on a wireless mesh network based on IEEE 802.15.4 standards enabling wireless control of outdoor lighting. At least one Wireless Area Controller (WAC) is required for full functionality and remote communication (including adjustment of any factory pre-sets).

WaveLinx Outdoor Control Module (WOLC-7P-10A) A photocontrol that enables astronomical or time-based schedules to provide ON, OFF and dimming control of fixtures utilizing a 7-PIN receptacle. The out-of-box functionality is ON at dusk and OFF at dawn.

WaveLinx PRO Wireless Sensor (WPS2 and WPS4) These outdoor sensors offer passive infrared (PIR) occupancy sensing and a photocell for closed-loop daylight sensing. These sensors are factory preset to dim down to approximately 50 percent power after 15 minutes of no activity detected, and the photocell for "dusk-to-dawn" control is default enabled. A variety of sensor lenses are available to optimize the coverage pattern for mounting heights from 7'-40'.

