

Project		Catalog #		Type	
Prepared by		Notes		Date	



HALO

H750ICATD010

6" LED ICAT New Construction Housing with 0-10V dimming compatibility

Typical Applications

- For use in insulated ceilings
- For direct contact with insulation

Interactive Menu

- Order Information page 2
- Product Warranty

Product Certification



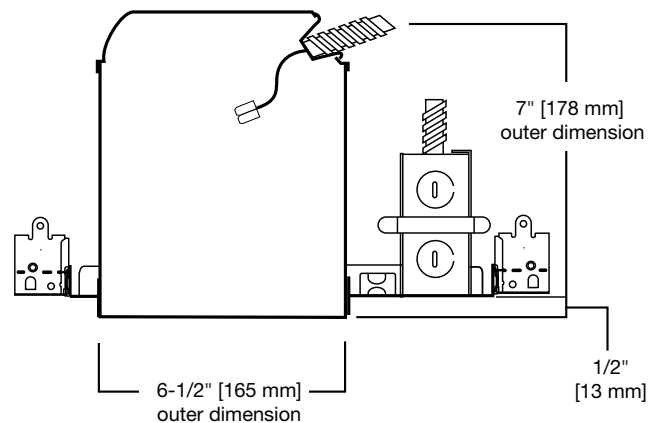
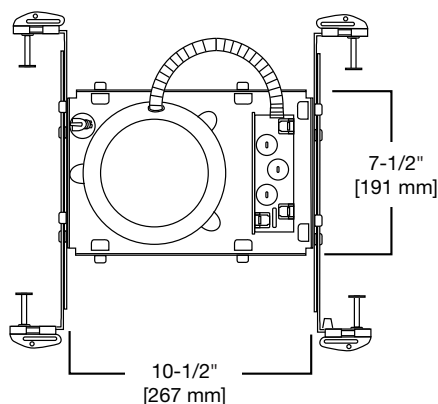
Product Features



Top Product Features

- For use with ML56 0-10V series
- 120-277V Input
- 0-10V dimming compatibility
- IC rated and air-tite per ASTM E283

Dimensional and Mounting Details



Order Information

SAMPLE ORDER NUMBER : H750ICATD010 – ML5612930D010, 692W

A complete luminaire consists of a housing, LED integrated trim or LED module and trim; order separately.

Housing	ML56 Light Modules	ML56 Trims
<p>H750ICATD010 = 6" LED, IC rated, air-tite, new construction housing, 0-10V compatibility</p>	<p>ML5612927D010 = 5 7/8" LED module, 1200 lumen, 90CRI, 2700K, 0-10V dimming ML5612930D010 = 5 7/8" LED module, 1200 lumen, 90CRI, 3000K, 0-10V dimming ML5612935D010 = 5 7/8" LED module, 1200 lumen, 90CRI, 3500K, 0-10V dimming ML5612940D010 = 5 7/8" LED module, 1200 lumen, 90CRI, 4000K, 0-10V dimming</p>	<p>590 Series - 5" LED Trims 592SC=5" LED trim, specular reflector & white flange 592H=5" LED trim, haze reflector & white flange 592W=5" LED trim, white reflector & flange 593WB=5" LED trim, white micro-step baffle & flange 593BB=5" LED trim, black micro-step baffle & white flange 594WB=5" LED directional trim, white eyeball, baffle & flange – shallow and standard housings 595WW=5" LED trim, wall wash - specular reflector, repositionable specular kick reflector, white flange 596WB=5" LED trim, white shallow baffle & flange – shallow and standard housings</p> <p>690 Series - 6" LED Trims 692SC=6" LED trim, specular reflector & white flange 692H=6" LED trim, haze reflector & white flange 692W=6" LED trim, white reflector & flange 693WB=6" LED trim, white micro-step baffle & flange 693BB=6" LED trim, black micro-step baffle & white flange 693TBZB=6" LED trim, tuscan bronze micro-step baffle & flange 693SNB=6" LED trim, satin nickel micro-step baffle & satin nickel flange 694WB=6" LED directional trim, white eyeball, baffle & flange – shallow and standard housings 694TBZB=6" LED directional trim, tuscan bronze eyeball, baffle & flange – shallow and standard housings 694SNB=6" LED directional trim, satin nickel eyeball, baffle & flange – shallow and standard housings 695WW=6" LED trim, wall wash - specular reflector, repositionable specular kick reflector, white flange 696WB=6" LED trim, white shallow baffle & flange – for use with shallow and standard housings</p>

Product Specifications

Housing

- Aluminum construction for greater heat dissipation
- H750ICATD010 housing is gasketed to prevent airflow from heated or air-conditioned spaces

Plaster Frame

- Galvanized steel frame
- Housing adjusts in plaster frame to accommodate up to 1" ceiling thickness
- Regressed locking screw for securing hanger bars
- Cutouts included for easily crimping hanger bars in position

Slide-N-Side™ Junction Box

- Positioned to accommodate straight conduit runs.
- Seven 1/2" trade size conduit knockouts with true pry-out slots.
- Slide-N-Side wire traps allow non metallic sheathed cable to be installed without tools and without removing knockouts.
- Allows wiring connections to be made outside the box.
- Simply insert the cable directly into the trap after connections are made.
- Accommodates the following standard non-metallic sheathed cable type:
 - U.S. #14/2, #14/3, #12/2, #12/3
 - Canada: #14/2, #14/3, #12/2

GOT NAIL! Pass -N-Thru™ Bar Hangers

- Pre-installed nail easily installs in regular lumber, engineered lumber and laminated beams
- Safety and Guidance system prevents snagging, ensures smooth, straight nail penetration and allows bar hangers to be easily removed if necessary
- Automatic leveling flange aligns the housing and allows holding the housing in place with one hand while driving nails.
- Housing can be positioned at any point within 24" joist spans
- Score lines allow tool-free shortening for 12" joists and bar hangers do not need to be removed for shortening
- Bar hangers may be repositioned 90° on plaster frame
- Integral T-bar clip snaps onto T-bars – no additional clips are required

LED Module Connection

- Halo LED modules simply install with a plug-in 120-277V rated line voltage wiring connector (UL and CSA Listed Luminaire Disconnect).
- This non-screw-base connection preserves the high efficacy rating and prevents use of low efficacy incandescent sources (see LED Module specifications).

CAUTION: Connection is rated for 120-277V input. Installer must verify LED module voltage is compatible with the applicable voltage input. If uncertain, consult a qualified electrician.

Code Compliance

- UL/cUL Listed 1598 Luminaire
- CE Marking - "Conformité Européenne" conformity with the Council of European Communities Directives, meeting internationally recognized compliance when used with ML56 Series LED modules
- UL/cUL Listed for Feed Through
- UL/cUL Listed for Damp Location
- UL/cUL Listed for Wet Location with select trims
- UL/cUL Listed for direct contact with insulation and combustible material
- Rated for 20W maximum

Qualification

- May be used with qualified Halo LED modules and designated trims for High Efficacy Luminaire Compliance:
 - State of California Title 24
 - International Energy Conservation Code (IECC)
 - Washington State Energy Code
 - New York State Energy Conservation Construction Code - AIR-TITE™ Compliant
 - Certified under ASTM-E283 standard for air-tight construction

Warranty

- Five year limited warranty, consult website for details www.cooperlighting.com.