

# Installation Instructions – Define S122-125 IP

## ⚠️ WARNING



**Risk of Fire, Electrical Shock, Cuts or other Casualty Hazards-** Installation and maintenance of this product must be performed by a qualified electrician. This product must be installed in accordance with the applicable installation code by a person familiar with the construction and operation of the product and hazards involved.



**Risk of Fire and Electric Shock-** Make certain power is OFF before starting installation or attempting any maintenance. Disconnect power at fuse or circuit breaker.



**Risk of Fire-** Minimum 90°C supply conductors.

**Risk of Burn-** Disconnect power and allow fixture to cool before handling or servicing.



**Risk of Personal Injury-** Due to sharp edges, handle with care.

Failure to comply with these instructions may result in death, serious bodily injury and property damage.

**DISCLAIMER OF LIABILITY:** Cooper Lighting Solutions assumes no liability for damages or losses of any kind that may arise from the improper, careless, or negligent installation, handling or use of this product.

**IMPORTANT:** Read carefully before installing fixture. Retain for future reference.






**NOTICE:** Green ground screw provided in proper location. Do not relocate.

**NOTICE:** Fixture may become damaged and/or unstable if not installed properly.

**Note:** Specifications and dimensions subject to change without notice.

**ATTENTION Receiving Department:** Note actual fixture description of any shortage or noticeable damage on delivery receipt. File claim for common carrier (LTL) directly with carrier. Claims for concealed damage must be filed within 15 days of delivery. All damaged material, complete with original packing must be retained.

### Wiring Table

Power Supply (Input)	
	Black (BK) - Hot
	White (WH) - Neutral
	Green (GN) - Ground
	Purple (PU) - 0-10V (+)
	Gray (GR) - 0-10V (-)

When Applicable
Emergency Hot – Black/Red
Emergency Neutral – White/Red
Second Circuit Hot – Black/Orange
Second Circuit Neutral – White/Orange
Second Circuit Dimming Positive – Orange
Second Circuit Dimming Negative – Yellow
Battery/Emergency Unswitched Hot – Blue

Maximum Sink/Source current per fixture is 6mA

## INSTALLATION

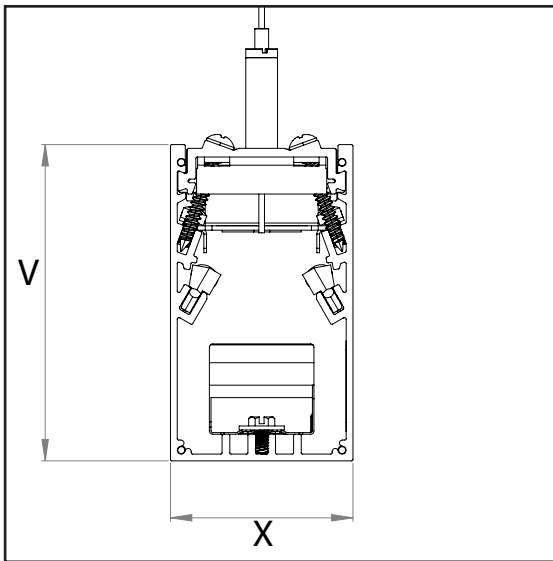
### Define DP/RDP/DIP/RDIP (2" - 5" Housing Size)

Individual and Continuous Luminaires - Installation

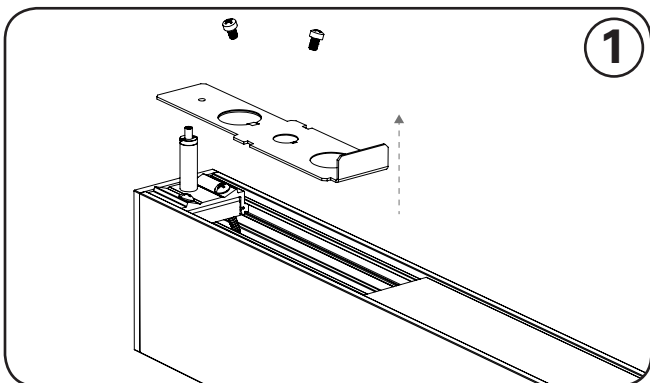
#### Parts List

- Fixture
- Access Plate
- Push In Connectors
- Cast Joiner & Torx Screws
- Additional 8-32 Phillips Screws
- Phillips Screw Driver (Bit)
- 6L – T15 Torx Screwdriver (Bit)
- Rubber Mallet
- T-15 Torx Joining Screws (2 per row fixture connection)
- #8-32 Joining Bracket Screws (2 per row fixture connection)

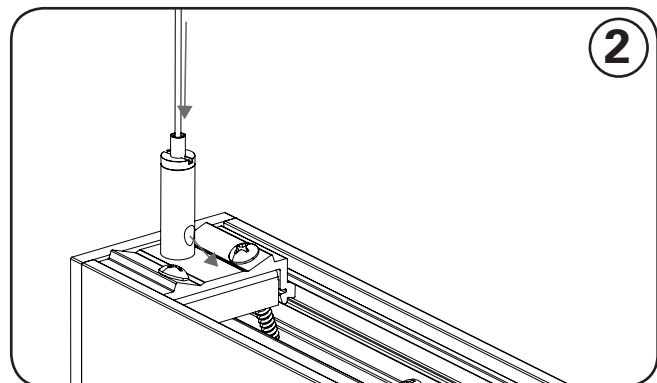
#### Cross Section and Grid Spacing Details



IP				
All Grid	V		X	
Define 2	4.132		2.000	
Define 3	4.567		3.000	
Define 4	5.132		4.000	
Define 5	5.632		5.000	

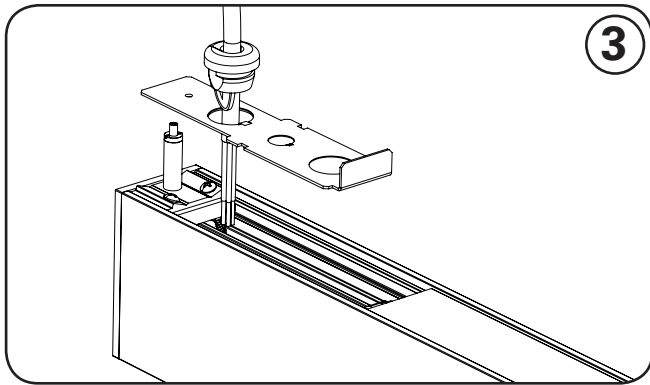


Turn off power before installation. Connect mounting kits at pre-specified locations according to your specific ceiling type (see submittal for dimensional details). Remove fixture from box and remove access plate by sliding the lens out of the way and removing two #8-32 screws.

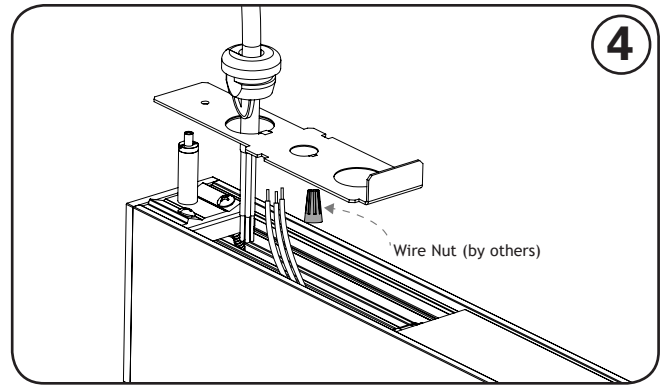


Pull aircraft cable through griplocks® and adjust to desired height. Make sure to level the fixture correctly (applies to individuals or first piece in row).

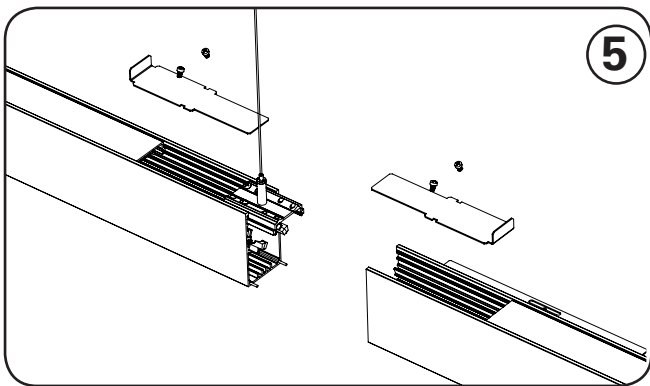
# Installation Instructions – Define S122-125 Suspended LED Luminaire



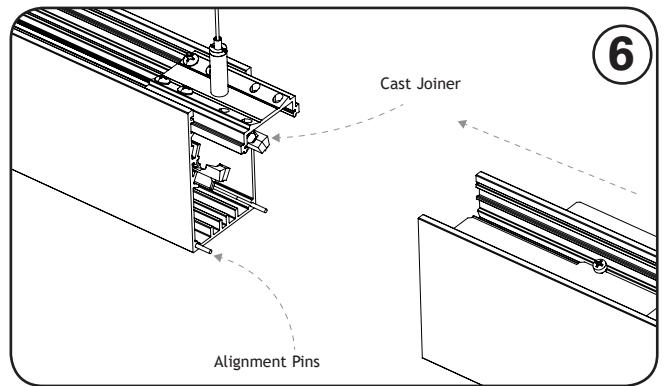
Remove knockout from access plate and attach strain relief to SJ Cord. Pull SJ cord through access plate to lock SJ cord in place on access plate.



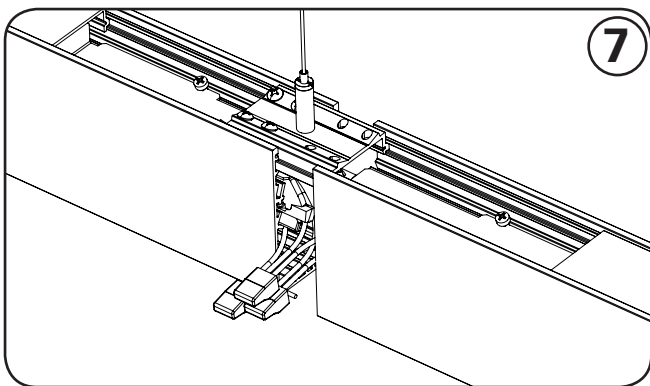
Connect power and dimming leads to SJ cord as required using wire nuts (by others). Once power and dimming wires are connected, push the wiring back into the fixture and re-attach the access plate.



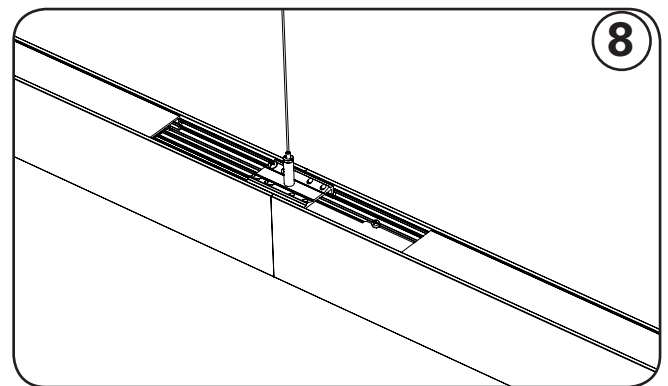
Remove non-wiring access plates from both fixtures prior to joining by removing two #8-32 screws. (Fixture information and UL labels should be visible on both sides of the non-wiring access plates)



FOR CONTINUOUS ROWS ONLY: Hang far end of the next fixture in the row using the griplock® and pre-installed aircraft cable. Temporarily support the other end. Ensure the alignment pins and cast joiners are seated correctly in the adjoining fixture

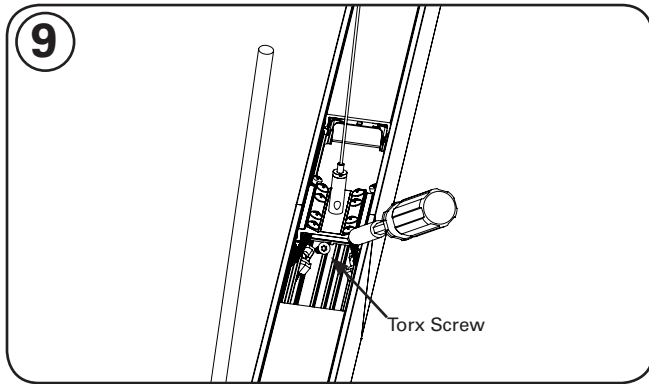


FOR CONTINUOUS ROWS ONLY: Hang far end of the next fixture in the row using the griplock® and pre-installed aircraft cable. Temporarily rest adjoining fixture on the first and join dimming and power wires using the provided push nuts.

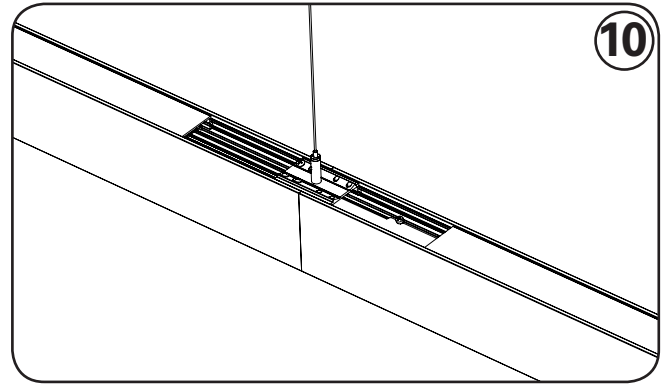


Slide fixtures together ensuring that both fixtures are level and properly aligned.

## Installation Instructions – Define S122-125 Suspended LED Luminaire



While one person holds fixtures in place check to make sure fixture is level. **DO NOT WALK AWAY LEAVING THE FIXTURES UNFASTENED BY MECHANICAL MEANS.** Fixture can be leveled via grip lock on opposite end of fixture. Once fixtures are flush to one another and level install torx head screw through cast joiners to snug fixtures together. **DO NOT OVERTIGHTEN.** Torx screw will pull fixtures together tightly without too much force.



Replace all access plates and move lenses back to proper positions. The fixture installation is now complete

## Warranties and Limitation of Liability

Please refer to [www.cooperlighting.com](http://www.cooperlighting.com) for our terms and conditions.

## Garanties et limitation de responsabilité

Veuillez consulter le site [www.cooperlighting.com](http://www.cooperlighting.com) pour obtenir les conditions générales.

## Garantías y Limitación de Responsabilidad

Visite [www.cooperlighting.com](http://www.cooperlighting.com) para conocer nuestros términos y condiciones.

### FCC Statement

• This device complies with Part 15 of the FCC Rules. Operation is subject to the following two conditions:

- (1) This device may not cause harmful interference.
- (2) This device must accept any interference received, including interference that may cause undesired operation.

**Note:** The grantee is not responsible for any changes or modifications not expressly approved by the party responsible for compliance. Such modifications could void the user's authority to operate the equipment.

**Note:** The equipment has been tested and found to comply with the limits for a **Class B** digital device, pursuant to part 15 of the FCC Rules.

These limits are designed to provide reasonable protection against harmful interference in a residential installation. This equipment generates uses and can radiate radio frequency energy and, if not installed and used in accordance with the instructions, may cause harmful interference to radio communications. However, there is no guarantee that interference will not occur in a particular installation. If this equipment does cause harmful interference to radio or television reception, which can be determined by turning the equipment off an on, the user is encouraged to try to correct the interference by one or more of the following measures:

- Reorient or relocate the receiving antenna.
- Increase the separation between the equipment and receiver.
- Connect the equipment into an outlet on a circuit different from that to which the receiver is connected.
- Consult the dealer or an experienced radio/TV technician for help.

This device complies with FCC radiation exposure limits set forth for an uncontrolled environment. This equipment must be installed and operated in accordance with provided instructions and the antenna(s) used for this transmitter must be installed to provide a separation distance of at least 20 cm from all persons.

**Cooper Lighting Solutions**  
18001 East Colfax Ave  
Aurora, CO 80011  
P: 800-553-3879  
[www.cooperlighting.com](http://www.cooperlighting.com)

© 2020 Cooper Lighting Solutions  
All Rights Reserved  
Printed in USA  
Imprimé aux États-Unis  
Impreso en los EE. UU.  
Publication No. IL524026EN  
December 3, 2019



Cooper Lighting Solutions is a registered trademark. All trademarks are property of their respective owners.

Cooper Lighting Solutions est une marque de commerce déposée. Toutes les autres marques de commerce sont la propriété de leur propriétaire respectif.

Cooper Lighting Solutions es una marca comercial registrada. Todas las marcas comerciales son propiedad de sus respectivos propietarios.

Product availability, specifications, and compliances are subject to change without notice

La disponibilité du produit, les spécifications et les conformités peuvent être modifiées sans préavis

La disponibilidad de productos, las especificaciones y los cumplimientos están sujetos a cambio sin previo aviso