

**Solar LED Dusk to Dawn & Motion Activated Area Light Instructions
WITH REMOTE MOUNTABLE SOLAR PANEL**

SBL50A50GY
SBL100A50GY

IMPORTANT SAFETY INSTRUCTIONS

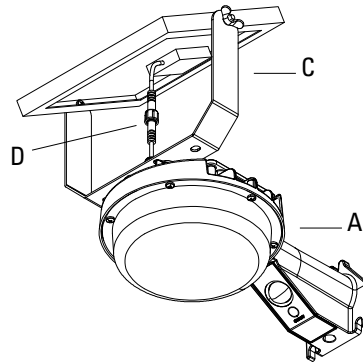
- Product is Wet Location rated for outdoor use only.
- Please read and understand this entire manual before attempting to assemble, install or operate this light fixture
- Save these instructions and warnings for future reference
- This product contains Lithium Ion rechargeable batteries that are NOT replaceable.
- Disassembling this fixture will void the manufacturer warranty
- The Halo Solar LED D2D & Motion Area light is not a toy. Keep it out of reach from small children.
- Please ensure the fixture is installed where it can receive direct light from the sun.
- If using a step ladder, you may require a second person to help install the solar motion light.
- Before installation, lay out all components and check against the part list section in this manual.

⚠️ WARNING READ AND FOLLOW THESE INSTRUCTIONS

<p>⚠️ CAUTION: Please don't look directly into the solar motion light when illuminated.</p>	<p>NOTICE: FCC Regulations state that any unauthorized changes or modifications to this equipment not expressly approved by the manufacturer could void the user's authorization to operate this equipment.</p>	<p>⚠️ IMPORTANT: Please make sure the fixture is placed where the solar panel is exposed to optimal sunlight. Be aware of objects such as trees or property overhangs that may impede the light's ability to generate a charge. Please make sure that the motion sensor is unobstructed for best results. Be aware that high-traffic areas will result in frequent motion events which could lead to the battery being depleted quickly. Monitor your specific installation and adjust as necessary.</p>
<p>⚠️ CAUTION: BURN HAZARD. Allow the light fixture to cool before touching.</p>		

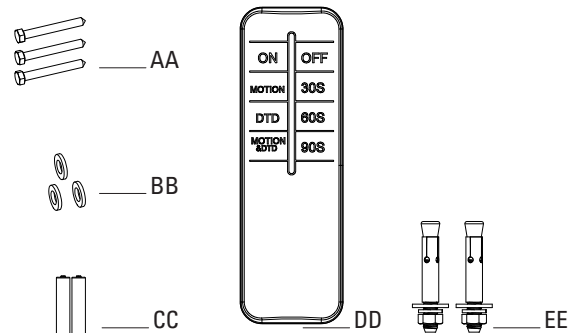
PACKAGING CONTENTS

PART	DESCRIPTION	QUANTITY
A	Light Fixture	1
B	hardware Kit	1
C	Solar Panel	1
D	3.2 ft. Extension Cable	1



Hardware Kit (B) (Included)

PART	DESCRIPTION	QUANTITY
AA	M 6*5.25mm Screws	3
BB	M8 Screw Washers	3
CC	AAA Batteries	2
DD	Remote Control	1
EE	Expansion Screw Kit	2



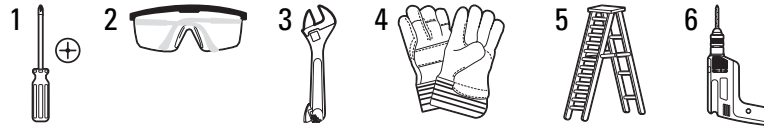
Optional Accessories (Ordered Separately)

- | | |
|--|---|
| <p> AAA - Replacement Remote - Catalog Number: SBL-RC
Télécommande de remplacement - Numéro de catalogue : SBL-RC
Control remoto de repuesto - Número de catálogo: SBL-RC</p> | <p> BBB - 16FT Extension Cable - Catalog Number: SBL-EXTCBL-16
Câble d'extension de 16 pieds - Numéro de catalogue : SBL-EXTCBL-16
Cable de extensión de 16 pies - Número de catálogo: SBL-EXTCBL-16</p> |
|--|---|

ITEMS REQUIRED

(Purchase separately)

1. Philips Screwdriver
2. Safety Goggles
3. Adjustable Wrench
4. Work Gloves
5. Ladder
6. Power Drill



SPECIFICATIONS

MOTION SENSOR RANGE	SENSING ANGLE	LUMENS	POWER SPECIFICATIONS	OPERATING MODE	MOTION SENSOR TIME OUT SETTING
30FT	180°	5000lm OR 10000lm	Solar Panel and Rechargeable Lithium-ion phosphate Batteries (non-replaceable) Battery Lifespan: 1500 Cycles	Motion, Dusk to Dawn, Motion +Dusk to Dawn, Manual On, Manual Off	30 seconds, 60 seconds, 90 seconds

PREPARING FOR INSTALLATION

REVIEW THIS INFORMATION TO ENSURE A REVIEW CONTENTS

Before installing the light fixture, take the contents out of the packaging and ensure that all parts are present. Compare parts with the hardware included and package contents sections. Do not attempt to assemble, install, or operate this light fixture if any part is missing or damaged.

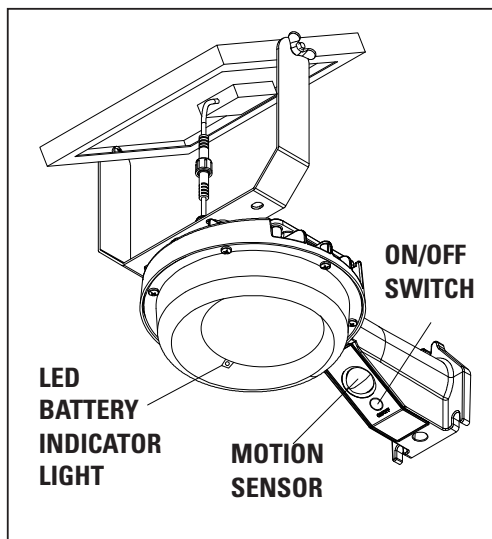
ESTIMATED INSTALLATION TIME: 30 MINUTES

CHECK THE INITIAL BATTERY CHARGE

1. Prior to use, make sure batteries have been charged for 2 full days of sunlight. (The battery will require 8 to 12 hours of full, direct sunlight to completely charge.) Ensure the fixture is OFF by selecting that button on the included remote. If possible aim the solar panel located on the back of the fixture toward the South and tilt it approximately 50 degrees from horizontal.
2. Check the battery indicator light located in the fixture lens before install (see table below)
3. Actual operating time will vary depending upon how frequently the light is turned on by the motion sensor
4. Solar lighting is not designed to equal standard 120V lighting. The amount of light output is reduced to allow the sun time to fully recharge the battery between lighting cycles.
5. Solar collection is only effective in direct sunlight. Every hour the light is on requires a minimum of 5 hours of sunlight charging.

MOTION SENSOR

1. When deciding where to mount this fixture please keep in mind that the motion sensor that activates the light has a “field of vision” of 30ft in front of the light and about 180-degree detection angle at a surrounding air temperature of 77F.
2. The motion sensor will have a first-time use warm-up time of about 60 seconds. Please wait a minimum of 60 seconds after the first power-on before testing the motion sensor.
3. When testing the motion sensor performance during the daytime the solar panel will need to be covered to override the Dusk to Dawn functionality of the light fixture. Cover the solar panel fully using a piece of cardboard and tape for first time testing.

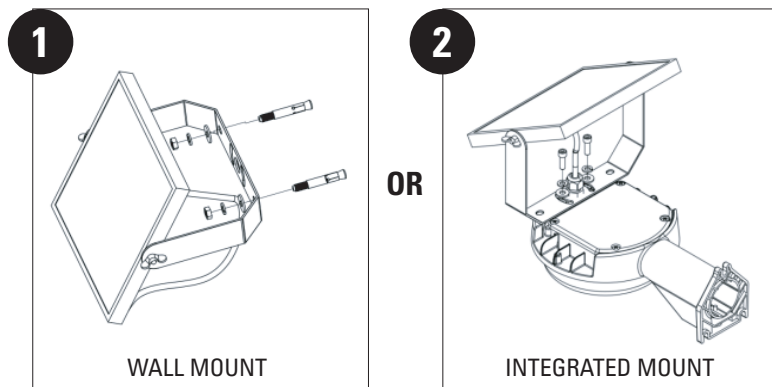


LED BATTERY INDICATOR GUIDE			
FIXTURE STATUS	RED LED	GREEN LED	FIXTURE LED
Charging in progress (battery from 10% to 90%)	OFF	Blinking	OFF
Charging completed (Battery > 90%)	OFF	ON	Remains in the same state
Discharging in progress (battery from 90% to 10%)	OFF	OFF	Remains in the same state
Battery low (<10%)	ON	OFF	Remains in the same state
Motion mode selected	Remains in the same state	Remains in the same state	Blinks once when mode selected
D2D mode selected	Remains in the same state	Remains in the same state	Blinks 2 times when mode selected
Motion + D2D Modeselected	Remains in the same state	Remains in the same state	Blinks 3 times when mode is selected

INSTALLATION

1. When selecting the mounting location for this light fixture the most important thing to remember for the operation to work properly is that it works from the power received from direct sunlight. The solar panel works best when placed on the southern-facing portion, or the highest point, of a structure. The more direct sunlight the solar panel receives in a day, the longer the light will operate. Make sure there is a minimum amount of obstructions between the solar panel and the sun.
2. Mount at a maximum of 25ft high for best results.

Installation - Solar Panel Kit



WALL MOUNT

1. Drill 2 Holes on the mount surface and insert the 2 Screw (EE) anchors into the Hole. Fig (1)
2. Use 2 Nuts & washer to mount the solar panel (C) onto the wall.

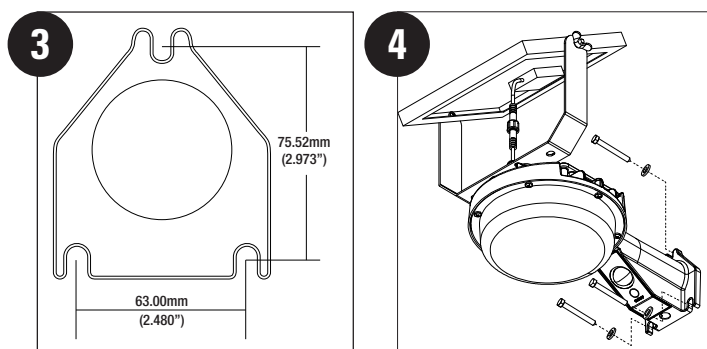
INTEGRATED MOUNT

1. Use 2 screws (EE) and washers to mount the solar panel to the fixture. Fig (2)

Installation - Fixture

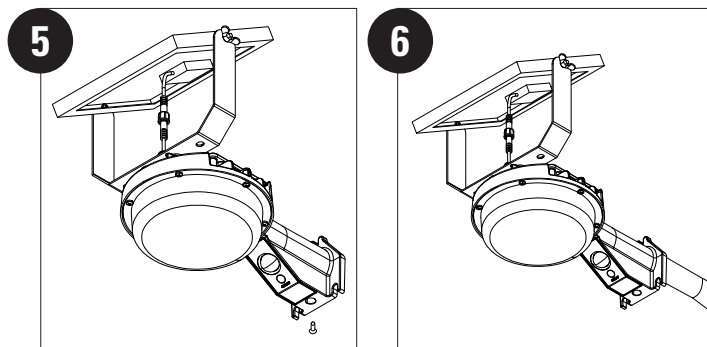
WALL MOUNT

1. Drill 3 holes on the chosen mounting surface using the fixture arm as the template or the scale diagram. Fig (3)
2. Use the 3 included mounting lag screws (AA) with the 3 washers (BB) to secure the fixture into pre-drilled pilot holes. Ensure fixture is securely fixed to the wall. Fig (4)
3. Connect the solar panel to the light fixture by connecting and tightening the included 2.8ft cable.
4. If more distance between solar panel and light fixture is required a 16ft extension cable is available for purchase online.



POLE (TENON) MOUNT

1. Remove the pole mounting screw from the bottom of the fixture arm as pictured in Fig (5)
2. Slide the fixture onto the tenon pole (sold separately).
3. Using the screw you removed in an early step, re-attach in the same hole and tighten until the fixture is secured to the pole.
4. Connect the solar panel to the light fixture by connecting and tightening the included 2.8ft cable.
5. If more distance between solar panel and light fixture is required a 16ft extension cable is available for purchase online.



CONFIGURING AND TESTING SOLAR AREA LIGHT WITH THE REMOTE CONTROL

1. Remote comes with AAA batteries included.
2. When selecting a mode of operation for this light fixture with the included remote control, the fixture will continue to operate in the selected mode day after day. You don't need to use the remote after configuring the light fixture to your desired settings. Only if making a change to the settings will the remote be required.

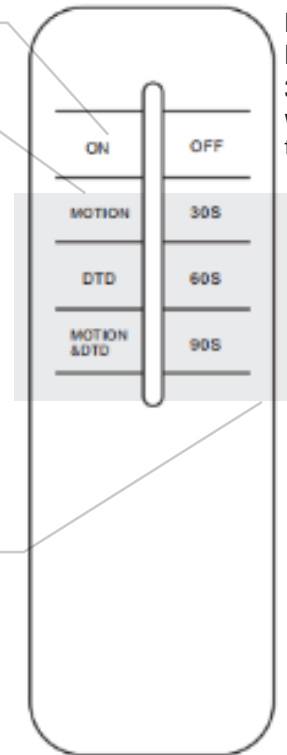
- ON – Manual Fixture on 100%
- OFF – Manual Fixture Off 0%

MODES OF OPERATION CONFIGURATION

- **MOTION mode** - (Light Blinks Once when selected on remote) - This is the factory default mode. After sundown, the fixture will turn on to 100% light output when motion is detected. It will remain on for 30/60/90 seconds as per the below motion sensor time-out setting selected by the user. After the time out has elapsed and no-motion detected the fixture will turn OFF. .
- **DTD mode** - (Light Blinks Twice when selected on remote) - After sundown, the fixture will turn on for 12 hours of light at 10% of the rated maximum lumen output of the fixture.
- **MOTION+DTD mode** - (Light Blinks three times when selected on remote) - After sundown the fixture will turn on continuously at an ambient 8% lumen output and when motion detected the light intensity will increase to 30% rated output and remains on for 30/60/90 seconds as per the below motion sensor time out setting. After the time out setting and no-motion detected the fixture will revert back to the ambient lumen output level.

MOTION SENSOR TIME OUT CONFIGURATION

- **30s** - Applies to Motion and Motion&D2D Mode only.
30s auto time out delay after no-motion detected fixture goes to 100% OFF
- **60s** - Applies to Motion and Motion&D2D Mode only.
60s auto time out delay after no-motion detected fixture goes to 100% OFF
- **90s** - Applies to Motion and Motion&D2D Mode only.
90s auto time out delay after no-motion detected fixture goes to 100% OFF



REMOTE CONTROL RANGE:

30ft to 50ft distance with clear line of sight to the light fixture.

CARE AND CLEANING

- To prolong the original appearance, clean the light fixture with clean water and a soft, damp cloth only.
- Do not use abrasive cleaners or cleaners that contain alcohol. Do not apply paints, solvents or any other chemicals on this light fixture. They could cause a premature deterioration of the finish and may void the warranty.
- Do not spray the light fixture with a hose or power washer.

BATTERY MAINTENANCE

- This fixture comes with rechargeable batteries pre-installed and fully sealed inside the fixture.
- These batteries are not meant to be replaced.

TROUBLESHOOTING

PROBLEM	POSSIBLE CAUSE	SOLUTION
Light does not turn ON with Motion at night	Surrounding external ambient light is too bright. (If so, the unit may think it is daytime.)	<ul style="list-style-type: none"> Relocate or reposition the unit away from the light source.
	Fixture is not charging during the day.	<ul style="list-style-type: none"> Solar panel must be receiving direct sunlight to charge during day (reposition if shadowed). Solar panel must be clean and free from debris. Make sure batteries have been charged for 2 full days of sunlight prior to turning the fixture ON. When battery is low, the fixture will automatically turn OFF until the battery is charged to the operating level.
Light comes on for no apparent reason at night	There is motion in the detection zone.	<ul style="list-style-type: none"> Make sure the sensor is not picking up moving objects such as trees, traffic, etc. TEST FOR YOURSELF. Cover the sensor lens with black electrical tape to prevent sensor from detecting motion. If the light stays off, something in the detection zone is triggering the sensor. Reposition the fixture. If the light stays on with the sensor lens covered, contact customer service.
Light stays on at night and does not turn off	There is motion in the detection zone.	<ul style="list-style-type: none"> Make sure the sensor is not picking up moving objects such as trees, traffic, etc. Reposition light fixture. If the light continues to stay on, contact customer service.

3-YEAR LIMITED WARRANTY

THE FOLLOWING WARRANTY IS EXCLUSIVE AND IN LIEU OF ALL OTHER WARRANTIES, WHETHER EXPRESS, IMPLIED OR STATUTORY INCLUDING, BUT NOT LIMITED TO, ANY WARRANTY OF MERCHANTABILITY OR FITNESS FOR ANY PARTICULAR PURPOSE.

Cooper Lighting Solutions warrants to customers that, for a period of three years from the date of purchase, Cooper Lighting Solutions products will be free from defects in materials and workmanship. The obligation of Cooper Lighting Solutions under this warranty is expressly limited to the provision of replacement products. This warranty is extended only to the original purchaser of the product. A purchaser's receipt or other proof of date of original purchase acceptable to Cooper Lighting Solutions is required before warranty performance shall be rendered. This warranty does not apply to Cooper Lighting Solutions products that have been altered or repaired, that have been subjected to neglect, abuse, misuse or accident (including shipping damages). This warranty does not apply to products not manufactured by Cooper Lighting Solutions which have been supplied, installed, and/or used in conjunction with Cooper Lighting Solutions products. Damage to the product caused by replacement bulbs or corrosion or discoloration of brass components are not covered by this warranty.

LIMITATION OF LIABILITY: IN NO EVENT SHALL COOPER LIGHTING SOLUTIONS BE LIABLE FOR SPECIAL, INDIRECT, INCIDENTAL, OR CONSEQUENTIAL DAMAGES (REGARDLESS OF THE FORM OF ACTION, WHETHER IN CONTRACT, STRICT LIABILITY, OR IN TORT INCLUDING NEGLIGENCE), NOR FOR LOST PROFITS; NOR SHALL THE LIABILITY OF COOPER LIGHTING SOLUTIONS FOR ANY CLAIMS OR DAMAGE ARISING OUT OF OR CONNECTED WITH THESE TERMS OR THE MANUFACTURE, SALE, DELIVERY, USE, MAINTENANCE, REPAIR OR MODIFICATION OF COOPER LIGHTING PRODUCTS, OR SUPPLY OF ANY REPLACEMENT PARTS THEREFORE, EXCEED THE PURCHASE PRICE OF COOPER LIGHTING SOLUTIONS PRODUCTS GIVING RISE TO A CLAIM. NO LABOR CHARGES WILL BE ACCEPTED TO REMOVE OR INSTALL FIXTURES.

To obtain warranty service, please contact Cooper Lighting Solutions at 1-800-334-6871 or via e-mail ConsumerProducts@Cooperlighting.com and include the following information:

- Name, address and telephone number
- Date and place of purchase
- Catalog and quantity purchase
- Detailed description of problem

All returned products must be accompanied by a Return Goods Authorization Number issued by the Company and must be returned freight prepaid. Any product received without a Return Goods Authorization Number from the Company will be refused. Cooper Lighting Solutions is not responsible for merchandise damaged in transit. Repaired or replaced products shall be subject to the terms of this warranty and are inspected when packed. Evident or concealed damage that is made in transit should be reported at once to the carrier making the delivery and a claim filed with them.

Reproductions of this document without prior written approval of Cooper Lighting Solutions are strictly prohibited.

For assistance, call 1-800-334-6871 or e-mail us at ConsumerProducts@Cooperlighting.com

Printed in China

Instructions – Luminaire solaire à DEL activé par le mouvement du crépuscule à l'aube AVEC PANNEAU SOLAIRE POUVANT ÊTRE INSTALLÉ À DISTANCE

SBL50A50GY
SBL100A50GY

INSTRUCTIONS DE SÉCURITÉ IMPORTANTES

- Le produit est homologué pour une utilisation dans des endroits humides à l'extérieur seulement.
- Veuillez lire et comprendre l'intégralité de ce manuel avant de tenter d'assembler, d'installer ou de faire fonctionner cet appareil d'éclairage.
- Conservez ces instructions et avertissements pour consultation ultérieure.
- Ce produit contient des piles rechargeables au lithium-ion qui ne peuvent PAS être remplacées.
- Le démontage de cet appareil d'éclairage annulera la garantie du fabricant.
- Le luminaire solaire à DEL activé par le mouvement du crépuscule à l'aube Halo n'est pas un jouet. Tenez le luminaire hors de la portée des jeunes enfants.
- Veillez à ce que l'appareil d'éclairage soit installé dans un endroit où il peut recevoir la lumière directe du soleil.
- Si vous utilisez un escabeau, vous aurez peut-être besoin d'une deuxième personne pour vous aider à installer le luminaire solaire activé par le mouvement.
- Avant l'installation, étalez tous les composants et vérifiez qu'ils correspondent à ceux de la section présentant la liste des pièces du présent manuel.



WARNING

LIRE ET SUIVRE
CES INSTRUCTIONS



MISE EN GARDE : Ne regardez pas directement le luminaire solaire activé par le mouvement lorsqu'il est allumé.



MISE EN GARDE : RISQUE DE BRÛLURE. Laissez refroidir l'appareil d'éclairage avant de le toucher.

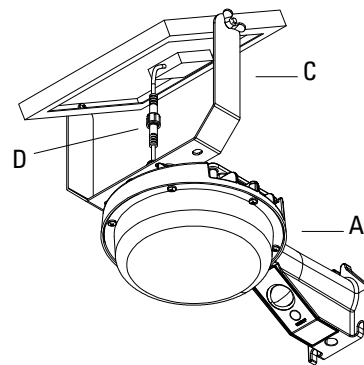
AVIS : Les réglementations de la FCC mentionnent que toute modification et altération apportées à cet équipement n'étant pas expressément approuvée par le fabricant peut annuler le droit de l'utilisateur à faire fonctionner cet équipement.



IMPORTANT : Veillez à ce que l'appareil d'éclairage soit installé de manière à ce que le panneau solaire soit exposé à un ensoleillement optimal. Tenez compte des objets tels que les arbres ou les immeubles en surplombs qui pourraient empêcher la lumière de générer une charge. Pour des résultats optimaux, veillez à ce que le détecteur de mouvement ne soit pas obstrué. Prenez en compte que les zones très fréquentées entraînent des mouvements fréquents, ce qui peut épuiser plus rapidement la pile. Surveillez votre installation spécifique et faites les ajustements nécessaires.

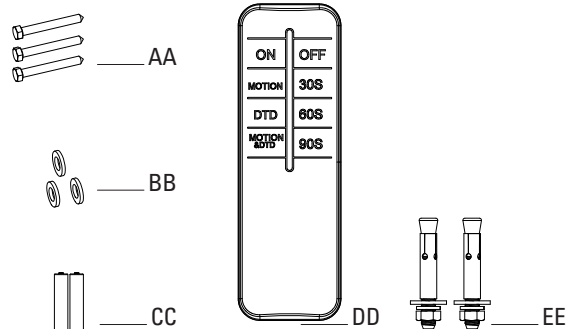
CONTENU DE L'EMBALLAGE

PIÈCE	DESCRIPTION	QUANTITÉ
A	Appareil d'éclairage	1
B	Trousse de quincaillerie	1
C	Panneau solaire	1
D	0,91 m (3,2 pi) Câble de rallonge	1



Trousse de quincaillerie (B) (incluse)

PIÈCE	DESCRIPTION	QUANTITÉ
AA	Vis M6 * 5,25 mm	3
BB	Rondelles pour vis M8	3
CC	Piles AAA	2
DD	Télécommande	1
EE	Trousse de vis d'expansion	2



Accessoires en option (à commander séparément)



AAA - Replacement Remote - Catalog Number: SBL-RC
Télécommande de rechange – Numéro de catalogue : SBL-RC
Control remoto de repuesto - Número de catálogo: SBL-RC

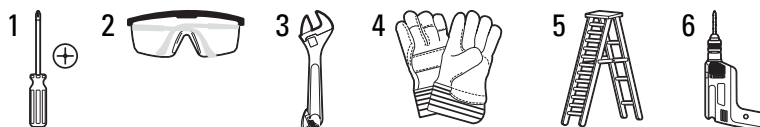


BBB - 16FT Extension Cable - Catalog Number: SBL-EXTCBL-16
Câble de rallonge de 4,9 m (16 pi) – Numéro de catalogue : SBL-EXTCBL-16
Cable de extensión de 16 pies - Número de catálogo: SBL-EXTCBL-16

ARTICLES REQUIS

(À acheter séparément)

1. Tournevis à tête cruciforme
2. Lunettes de protection
3. Clé à molette
4. Gants de travail
5. Échelle
6. Perceuse électrique



SPÉCIFICATIONS

PLAGE DE DÉTECTION DU DÉTECTEUR DE MOUVEMENT	ANGLE DE DÉTECTION	LUMENS	SPÉCIFICATIONS CONCERNANT L'ALIMENTATION	MODE DE FONCTIONNEMENT	RÉGLAGE DU DÉLAI DE TEMPORISATION DU DÉTECTEUR DE MOUVEMENT
9,1 M (30 PI)	180°	5 000 lm OU 10 000 lm	Panneau solaire et piles rechargeables au lithium fer phosphate (non remplaçables) Durée de vie de la pile : 1 500 cycles	Activé par le mouvement, crépuscule à l'aube, activé par le mouvement + crépuscule à l'aube, activation manuelle, désactivation manuelle	30 secondes 60 secondes 90 secondes

PRÉPARATION EN VUE DE L'INSTALLATION

PASSER LES PRÉSENTES INFORMATIONS EN REVUE POUR ASSURER UNE INSTALLATION APPROPRIÉE

Avant d'installer l'appareil d'éclairage, sortez le contenu de l'emballage et assurez-vous que toutes les pièces sont présentes. Comparez les pièces avec celles des sections présentant la quincaillerie incluse et le contenu de l'emballage. N'essayez pas d'assembler, d'installer ou de faire fonctionner cet appareil d'éclairage si une pièce est manquante ou endommagée.

TEMPS D'INSTALLATION ESTIMÉ : 30 MINUTES

VÉRIFIER LA CHARGE INITIALE DE LA PILE

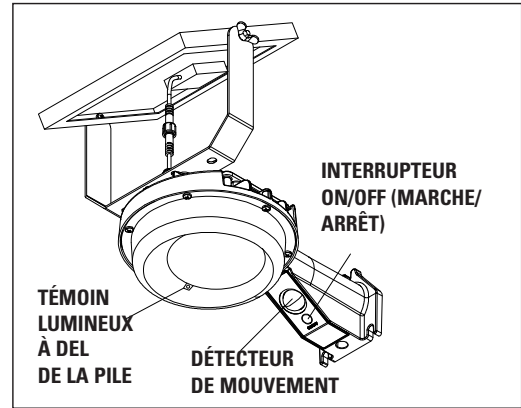
1. Avant l'utilisation, assurez-vous que les piles ont été chargées pendant deux jours complets d'ensoleillement. (La pile a besoin de 8 à 12 heures d'ensoleillement direct pour se recharger complètement.) Assurez-vous que l'appareil d'éclairage est ÉTEINT en sélectionnant ce bouton sur la télécommande fournie. Si possible, orientez le panneau solaire situé à l'arrière de l'appareil d'éclairage vers le sud et inclinez-le d'environ 50 degrés par rapport à l'horizontale.
2. Vérifiez le témoin lumineux de la pile situé dans la lentille de l'appareil d'éclairage avant l'installation (voir le tableau ci-dessous).
3. La durée de fonctionnement réelle varie en fonction de la fréquence à laquelle le luminaire est allumé par le détecteur de mouvement.
4. L'éclairage du luminaire solaire n'est pas conçu pour égaler l'éclairage d'un luminaire standard de 120 V. La quantité de lumière émise est réduite pour permettre au soleil de recharger complètement la pile entre les cycles d'éclairage.
5. Le captage de l'énergie solaire n'est efficace qu'en présence d'une exposition directe à la lumière du soleil. Chaque heure où le luminaire est allumé nécessite un minimum de cinq heures d'ensoleillement.

DÉTECTEUR DE MOUVEMENT

1. Lorsque vous établissez l'emplacement de cet appareil d'éclairage, gardez à l'esprit que le capteur de mouvement qui active la lumière a un « champ de vision » de 9,1 m (30 pi) devant le luminaire et un angle de détection d'environ 180 degrés à une température ambiante de 25 °C (77 °F).
2. Le détecteur de mouvement nécessitera un temps de mise en route d'environ 60 secondes lors de sa première utilisation. Veuillez attendre au moins 60 secondes après la première mise sous tension avant de procéder à l'essai du détecteur de mouvement.

GUIDE – TÉMOIN LUMINEUX À DEL DE LA PILE			
ÉTAT DE L'APPAREIL D'ÉCLAIRAGE	DEL ROUGE	DEL VERTE	DEL DE L'APPAREIL D'ÉCLAIRAGE
Chargement en cours (10 à 90 %)	FERMÉ	Clignotant	FERMÉ
Chargement terminé (> 90 %)	FERMÉ	MARCHE	Reste dans le même état
Décharge en cours (90 à 10 %)	FERMÉ	FERMÉ	Reste dans le même état
Pile faible (< 10 %)	ALLUMÉ	FERMÉ	Reste dans le même état
Mode activé par le mouvement sélectionné	Reste dans le même état	Reste dans le même état	Clignote une fois lorsque le mode est sélectionné
Mode du crépuscule à l'aube sélectionné	Reste dans le même état	Reste dans le même état	Clignote deux fois lorsque le mode est sélectionné
Modes activé par le mouvement + du crépuscule à l'aube sélectionnés	Reste dans le même état	Reste dans le même état	Clignote trois fois lorsque le mode est sélectionné

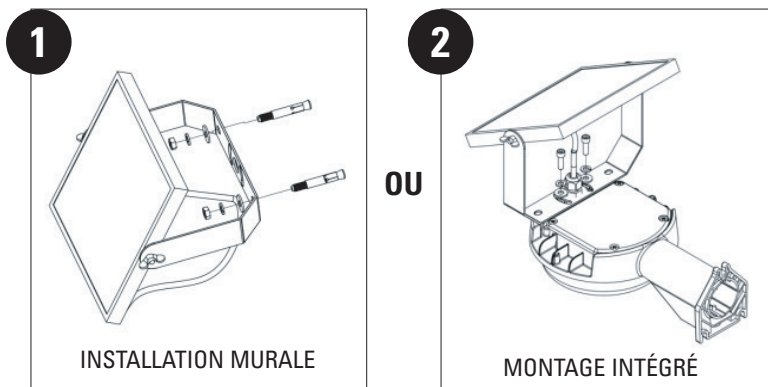
1. Lorsque vous faites l'essai du rendement du détecteur de mouvement pendant la journée, le panneau solaire doit être recouvert afin de désactiver le mode « du crépuscule à l'aube » de l'appareil d'éclairage. Couvrez entièrement le panneau solaire à l'aide d'un morceau de carton et de ruban adhésif pour procéder à l'essai lors de la première utilisation.



INSTALLATION

1. Au moment de choisir l'emplacement de montage de cet appareil d'éclairage, la chose la plus importante à retenir pour assurer un bon fonctionnement est qu'il dépend entièrement de l'énergie reçue de la lumière directe du soleil. Le panneau solaire fonctionne mieux lorsqu'il est placé sur la partie orientée vers le sud ou sur le point le plus élevé d'une structure. Plus le panneau solaire reçoit de lumière directe du soleil au cours d'une journée, plus le luminaire fonctionnera longtemps. Veillez à ce qu'il y ait le moins d'obstructions possible entre le panneau solaire et le soleil.
2. Pour de meilleurs résultats, installer à une hauteur maximale de 7,6 m (25 pi).

Installation du panneau solaire



INSTALLATION MURALE

1. Percez deux trous sur la surface de montage et insérez les deux vis d'ancrage (EE) dans les trous. Figure (1)
2. Utilisez deux écrous et une rondelle pour installer le panneau solaire (C) sur le mur.

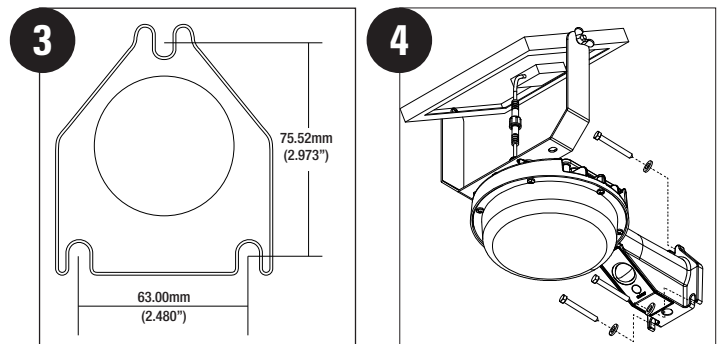
MONTAGE INTÉGRÉ

3. Utilisez deux vis (EE) et des rondelles pour installer le panneau solaire sur l'appareil d'éclairage. Figure (2)

Installation de l'appareil d'éclairage

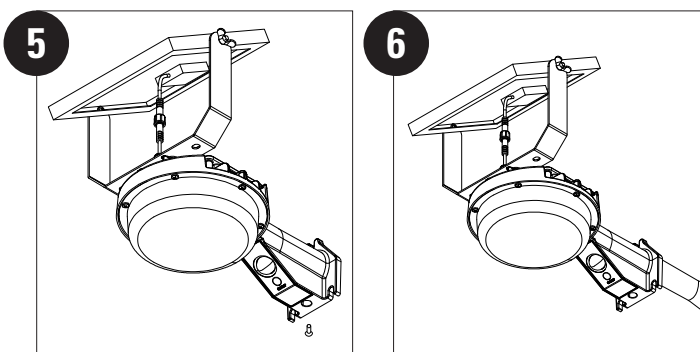
INSTALLATION MURALE

1. Percez trois trous sur la surface de montage choisie en utilisant le bras de l'appareil d'éclairage comme gabarit ou le diagramme à l'échelle. Figure (3)
2. Utilisez les trois vis tire-fond de fixation (AA) et les trois rondelles (BB) pour fixer l'appareil d'éclairage dans les avant-trous prépercés. Assurez-vous que l'appareil d'éclairage est solidement fixé au mur. Figure (4)
3. Connectez le panneau solaire à l'appareil d'éclairage en raccordant et en serrant le câble de 0,61 m (2,8 pi) inclus.
4. Si une plus grande distance entre le panneau solaire et l'appareil d'éclairage est nécessaire, un câble de rallonge de 4,9 m (16 pi) peut être acheté en ligne.



MONTAGE SUR POTEAU (TENON)

- Retirez la vis de montage sur le bras de l'appareil d'éclairage comme indiqué sur la figure (5).
- Faites glisser l'appareil d'éclairage sur le tenon/poteau (vendu séparément).
- Insérez la vis que vous avez retirée lors d'une étape précédente dans le même trou, puis serrez jusqu'à ce que l'appareil d'éclairage soit bien fixé au poteau.
- Connectez le panneau solaire à l'appareil d'éclairage en raccordant et en serrant le câble de 0,61 m (2,8 pi) inclus.
- Si une plus grande distance entre le panneau solaire et l'appareil d'éclairage est nécessaire, un câble de rallonge de 4,9 m (16 pi) peut être acheté en ligne.



CONFIGURER LE LUMINAIRE SOLAIRE ET EN FAIRE L'ESSAI À L'AIDE DE LA TÉLÉCOMMANDE

- La télécommande est livrée avec des piles AAA.
- Lorsque vous sélectionnez un mode de fonctionnement pour cet appareil d'éclairage à l'aide de la télécommande fournie, le luminaire continue de fonctionner dans le mode sélectionné jour après jour. Vous n'avez pas besoin d'utiliser la télécommande après avoir configuré l'appareil d'éclairage aux réglages souhaités. La télécommande n'est nécessaire que pour modifier les réglages.

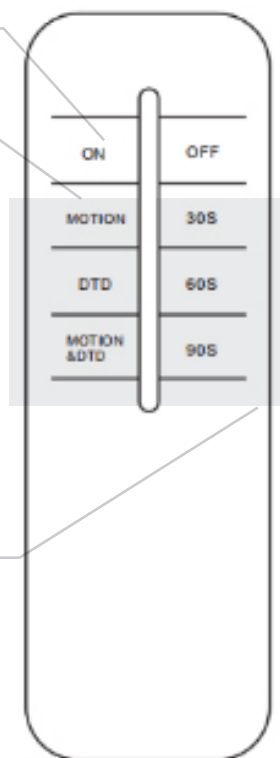
- ON (MARCHE) – éclairage manuel complètement allumé
- OFF (ARRÊT) – éclairage manuel complètement éteint

CONFIGURATION DES MODES DE FONCTIONNEMENT

- Mode ACTIVÉ PAR LE MOUVEMENT** (la lumière clignote une fois lorsqu'il est sélectionné sur la télécommande) – Il s'agit du mode par défaut. Après le coucher du soleil, l'appareil d'éclairage s'allume complètement lorsqu'un mouvement est détecté. Il restera allumé pendant 30/60/90 secondes, selon le réglage du délai de temporisation du détecteur de mouvement sélectionné par l'utilisateur. Une fois le délai de temporisation écoulé et l'absence de mouvement détectée, l'appareil d'éclairage s'éteint.
- Mode DU CRÉPUSCULE À L'AUBE** (la lumière clignote deux fois lorsqu'il est sélectionné sur la télécommande) – après le coucher du soleil, l'appareil d'éclairage s'allume pour une durée de 12 heures à 10 % de son rendement lumineux nominal maximal.
- Mode ACTIVÉ PAR LE MOUVEMENT + DU CRÉPUSCULE À L'AUBE** (la lumière clignote trois fois lorsqu'il est sélectionné sur la télécommande) – après le coucher du soleil, l'appareil d'éclairage s'allume en continu à un rendement lumineux de 8 % et, lorsqu'un mouvement sera détecté, l'intensité lumineuse augmentera à 30 % du rendement nominal et restera allumé pendant 30/60/90 secondes, selon le réglage du délai de temporisation du détecteur de mouvement sélectionné, comme indiqué ci-dessous. Une fois le délai de temporisation écoulé et l'absence de mouvement détectée, l'appareil d'éclairage revient au niveau de luminosité ambiante.

CONFIGURATION DU DÉLAI DE TEMPORISATION DU DÉTECTEUR DE MOUVEMENT

- 30 s – s'applique uniquement aux modes activé par le mouvement et activé par le mouvement du crépuscule à l'aube**
Délai de temporisation automatique de 30 secondes après la détection de l'absence de mouvement : l'appareil s'éteint complètement.
- 60 s – s'applique uniquement aux modes activé par le mouvement et activé par le mouvement du crépuscule à l'aube.**
Délai de temporisation automatique de 60 secondes après la détection de l'absence de mouvement : l'appareil s'éteint complètement.
- 90 s – s'applique uniquement aux modes activé par le mouvement et activé par le mouvement du crépuscule à l'aube.**
Délai de temporisation automatique de 90 secondes après la détection de l'absence de mouvement : l'appareil s'éteint complètement.



PORTÉE DE LA TÉLÉCOMMANDE :

Distance de 9,1 à 15,2 m (30 à 50 pi) avec une visibilité directe de l'appareil d'éclairage.

ENTRETIEN ET NETTOYAGE

- Pour préserver l'aspect d'origine, nettoyez l'appareil d'éclairage avec de l'eau propre et un chiffon doux et humide uniquement.
- Ne pas utiliser de nettoyeurs abrasifs ou contenant de l'alcool. Ne pas appliquer de peinture, de solvants ou d'autres produits chimiques sur cet appareil d'éclairage. Ces substances pourraient entraîner une détérioration prématurée de la finition et annuler la garantie.
- Ne pas pulvériser l'appareil d'éclairage avec un tuyau d'arrosage ou une laveuse à pression.

ENTRETIEN DE LA PILE

- Cet appareil d'éclairage est livré avec des piles rechargeables préinstallées et entièrement scellées à l'intérieur de celui-ci.
- Ces piles ne sont pas destinées à être remplacées.

DÉPANNAGE

PROBLÈME	CAUSE POSSIBLE	SOLUTION
Le luminaire ne s'allume pas en présence de mouvement la nuit	La lumière ambiante est trop vive (dans ce cas, l'appareil pourrait la confondre avec la lumière du jour).	<ul style="list-style-type: none"> • Déplacer ou repositionner le luminaire à l'écart de la source de lumière.
	Le luminaire ne se charge pas pendant la journée.	<ul style="list-style-type: none"> • Le panneau solaire doit capter les rayons solaires pour se recharger pendant la journée (repositionnez-le s'il est à l'ombre). • Le panneau solaire doit être nettoyé et libre de tous débris. • S'assurer que les piles sont chargées pendant deux journées complètes en les exposant aux rayons du soleil avant d'allumer le luminaire. • Lorsque la pile est vide, l'appareil d'éclairage s'éteint automatiquement jusqu'à ce que la pile ait atteint le niveau de fonctionnement.
Le luminaire s'allume sans raison apparente la nuit	Présence de mouvements dans la zone de détection.	<ul style="list-style-type: none"> • S'assurer que le détecteur ne capte pas le mouvement d'objets mobiles comme des arbres, la circulation, etc. • EFFECTUEZ UN ESSAI. Recouvrez la lentille du détecteur de ruban isolant pour l'empêcher de détecter des mouvements. Si le luminaire ne s'allume pas, il y a peut-être un objet dans la zone de détection qui provoque le déclenchement du détecteur. • Repositionner l'appareil d'éclairage. • Si le projecteur reste allumé alors que la lentille du détecteur est recouverte, communiquez avec le Service à la clientèle.
Le luminaire reste allumé la nuit et ne s'éteint pas	Présence de mouvements dans la zone de détection.	<ul style="list-style-type: none"> • S'assurer que le détecteur ne capte pas le mouvement d'objets mobiles comme des arbres, la circulation, etc. • Repositionner l'appareil d'éclairage. • Si le luminaire continue de rester allumé, communiquer avec le Service à la clientèle.

GARANTIE LIMITÉE DE 3 ANS

LA GARANTIE SUIVANTE EST EXCLUSIVE ET REMPLACE TOUTES LES AUTRES GARANTIES, EXPLICITES, IMPLICITES OU STATUTAIRES, Y COMPRIS, MAIS SANS S'Y LIMITER, TOUTE GARANTIE DE QUALITÉ MARCHANDE OU D'ADAPTATION À UN USAGE PARTICULIER.

Cooper Lighting Solutions garantit aux acheteurs que, pendant une période de trois ans à compter de la date d'achat, les produits de Cooper Lighting Solutions seront exempts de défauts de matériaux et de fabrication. L'obligation de Cooper Lighting Solutions dans le cadre de cette garantie est expressément limitée à la fourniture de produits de remplacement. Cette garantie n'est valide que pour le premier acheteur du produit. Un reçu d'achat ou toute autre preuve d'achat originale et datée qui est jugé acceptable par Cooper Lighting Solutions est requis avant toute mise en œuvre de la garantie. Cette garantie ne couvre pas les produits de CLS ayant été modifiés ou réparés ou ayant été négligés, mal utilisés, utilisés abusivement ou endommagés (y compris les dégâts survenus lors de l'expédition). Cette garantie ne s'applique pas aux produits non fabriqués par Cooper Lighting Solutions qui ont été fournis, installés et/ou utilisés en conjonction avec des produits Cooper Lighting Solutions. Les dommages causés au produit par les ampoules de rechange, la corrosion ou la décoloration des composants en laiton ne sont pas couverts par cette garantie.

LIMITATION DE RESPONSABILITÉ : COOPER LIGHTING SOLUTIONS NE SERA EN AUCUN CAS TENUE RESPONSABLE DE DOMMAGES PARTICULIERS, INDIRECTS, ACCIDENTELS OU CONSÉCUTIFS (PEU IMPORTE LE TYPE D'ACTION, QU'IL S'AGISSE D'UN CONTRAT, DE RESPONSABILITÉ ABSOLUE OU DE TORT INCLUANT LA NÉGLIGENCE), NI DE BÉNÉFICES PERDUS; LA RESPONSABILITÉ DE COOPER LIGHTING SOLUTIONS RELATIVEMENT À TOUTE RÉCLAMATION OU TOUT DOMMAGE DÉCOULANT DE CES MODALITÉS OU DE LA FABRICATION, DE LA VENTE, DE LA LIVRAISON, DE L'UTILISATION, DE L'ENTRETIEN, DE LA RÉPARATION OU DE LA MODIFICATION DES PRODUITS DE COOPER LIGHTING SOLUTIONS OU QUI Y EST RELIÉ, OU LA FOURNITURE DE TOUTE PIÈCE DE REMPLACEMENT POUR LESDITS PRODUITS, N'EXCÉDERA PAS LE PRIX D'ACHAT DES PRODUITS COOPER LIGHTING SOLUTIONS DONNANT LIEU À UNE RÉCLAMATION. TOUTS LES FRAIS DE MAIN-D'ŒUVRE NÉCESSAIRE À LA DÉSINSTALLATION OU À L'INSTALLATION DES LUMINAIRES SERONT REFUSÉS.

Pour faire une demande au titre de la garantie, veuillez communiquer avec Cooper Lighting Solutions au 1 800 334-6871 ou envoyer un courriel à ConsumerProducts@Cooperlighting.com en indiquant les renseignements suivants :

- Nom, adresse et numéro de téléphone
- Date et lieu d'achat
- Catalogue et quantité achetée
- Description détaillée du problème

Tous les produits retournés doivent être accompagnés d'un numéro d'autorisation de retour de marchandises délivré par la société et doivent être retournés avec fret payé d'avance. Tout produit reçu sans numéro d'autorisation pour retour de marchandises émis par l'entreprise sera refusé. Cooper Lighting n'est pas responsable des produits endommagés pendant le transport. Les produits réparés ou remplacés sont soumis aux conditions de la présente garantie et sont inspectés au moment de l'emballage. Les dommages visibles ou non visibles survenus pendant le transport doivent immédiatement être signalés au transporteur et une plainte doit être déposée auprès de ce dernier.

La reproduction de ce document sans l'autorisation écrite préalable de Cooper Lighting Solutions est strictement interdite.

Pour obtenir de l'aide, appeler au 1 800 334-6871 ou envoyer un courriel à ConsumerProducts@Cooperlighting.com.

Imprimé en Chine

Instrucciones para la instalación de la luz LED solar de activación nocturna y por movimiento CON PANEL SOLAR EXTERNO


SBL50A50GY
SBL100A50GY


INSTRUCCIONES IMPORTANTES DE SEGURIDAD

- El producto está clasificado para su uso en ubicaciones húmedas en exteriores solamente.
- Lea y comprenda este manual en su totalidad antes de intentar montar, instalar o utilizar este luminario.
- Guarde estas instrucciones y advertencias para futuras consultas.
- Este producto contiene baterías recargables de iones de litio que NO son sustituibles.
- El desmontaje de este luminario anulará la garantía del fabricante.
- La luz LED solar Halo de activación nocturna (D2D) y por movimiento no es un juguete. Manténgala fuera del alcance de los niños pequeños.
- Asegúrese de que el luminario se instala en un lugar donde pueda recibir la luz directa del sol.
- Si utiliza una escalera de mano, es posible que necesite la ayuda de otra persona para instalar la luz solar activada por movimiento.
- Antes de la instalación, disponga todos los componentes y compruebe que estén completos según la lista de piezas de este manual.


WARNING

LEA Y SIGA ESTAS INSTRUCCIONES

 **PRECAUCIÓN:** No mire directamente a la luz solar activada por movimiento cuando esté encendida.

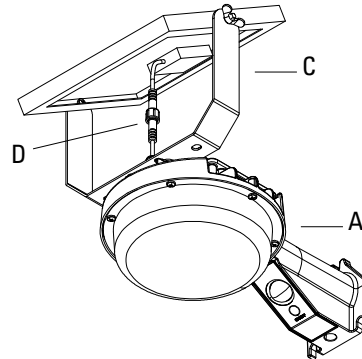
 **PRECAUCIÓN:** RIESGO DE QUEMADURAS. Deje que el luminario se enfríe antes de tocarlo.

AVISO: Las normas de la FCC indican que cualquier cambio o modificación no autorizados en este equipo y que no estén aprobados expresamente por el fabricante podrían anular el permiso que tiene el usuario para operar dicho equipo.

 **IMPORTANTE:** Asegúrese de que el luminario se coloca en un lugar en el que el panel solar esté expuesto a una luz solar óptima. Tenga cuidado con objetos como árboles o salientes que puedan impedir que la luz genere carga. Asegúrese de que el sensor de movimiento esté libre de obstáculos para obtener mejores resultados. Tenga en cuenta que las zonas de mucho tráfico provocarán frecuentes eventos de movimiento que podrían hacer que la batería se agotara rápidamente. Supervise su instalación específica y ajústela según sea necesario.

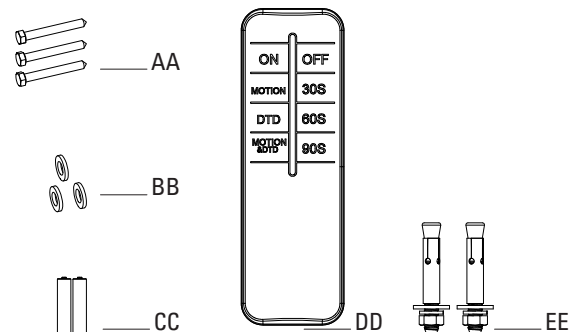
CONTENIDO DEL PAQUETE

PIEZA	DESCRIPCIÓN	CANTIDAD
A	Luminario	1
B	Kit de hardware	1
C	Panel solar	1
D	Cable de extensión de 3,2 ft (0,97 m)	1



Kit de hardware (B) (incluido)

PIEZA	DESCRIPCIÓN	CANTIDAD
AA	Tornillos M6*de 5,25 mm	3
BB	Arandelas para tornillos M8	3
CC	Baterías AAA	2
DD	Control remoto	1
EE	Kit de tornillos de expansión	2



Accesorios opcionales (se piden por separado)



AAA - Replacement Remote - Catalog Number: SBL-RC
Télécommande de remplacement - Numéro de catalogue : SBL-RC
Control remoto de repuesto - Número de catálogo: SBL-RC

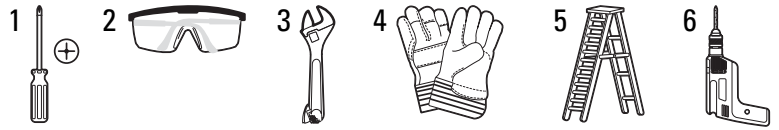


BBB - 16FT Extension Cable - Catalog Number: SBL-EXTCBL-16
Câble d'extension de 16 pieds - Numéro de catalogue : SBL-EXTCBL-16
Cable de extensión de 16 pies (4,88 m) - Número de catálogo: SBL-EXTCBL-16

ELEMENTOS NECESARIOS

(Se compran por separado)

1. Destornillador Philips
2. Gafas de seguridad
3. Llave ajustable
4. Guantes de trabajo
5. Escalera
6. Taladro eléctrico



ESPECIFICACIONES

RANGO DEL SENSOR DE MOVIMIENTO	ÁNGULO DE DETECCIÓN	LÚMENES	ESPECIFICACIONES DE POTENCIA	MODO OPERATIVO	AJUSTE DEL TIEMPO DE ESPERA DEL SENSOR DE MOVIMIENTO
30FT	180°	5000 lm O BIEN 10000 lm	Panel solar y baterías recargables de fosfato de iones de litio (no sustituibles) Duración de la batería: 1500 ciclos	Movimiento, nocturno, movimiento + nocturno, encendido manual, apagado manual	30 segundos, 60 segundos, 90 segundos

PREPARACIÓN PARA LA INSTALACIÓN

LEA ESTA INFORMACIÓN PARA GARANTIZAR SU COMPRESIÓN

Antes de instalar el luminario, saque el contenido del paquete y asegúrese de que están todas las piezas. Compare las piezas con las secciones de hardware incluido y contenido del paquete. No intente montar, instalar ni utilizar este luminario si falta alguna pieza o la unidad está dañada.

TIEMPO ESTIMADO DE INSTALACIÓN: 30 MINUTOS

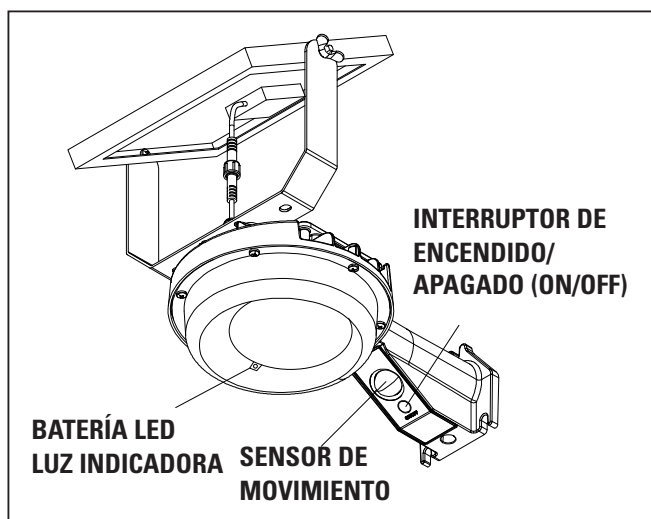
COMPRUEBE LA CARGA INICIAL DE LA BATERÍA

1. Antes de su uso, asegúrese de que las baterías se han cargado durante dos (2) días completos bajo la luz solar. (La batería necesitará de 8 a 12 horas de luz solar directa para cargarse completamente). Asegúrese de que el luminario está apagado seleccionando ese botón en el control remoto incluido. Si es posible, oriente el panel solar situado en la parte posterior del luminario hacia el Sur e inclínelo aproximadamente 50 grados con respecto a la horizontal.
2. Compruebe el indicador luminoso de la batería situado en la lente del luminario antes de instalar la unidad (consulte la tabla a continuación).
3. El tiempo de funcionamiento real variará en función de la frecuencia con la que el sensor de movimiento encienda la luz.
4. La iluminación solar no está diseñada para igualar la iluminación estándar de 120 V. La cantidad de luz emitida se reduce para que el sol tenga tiempo de recargar completamente la batería entre los ciclos de iluminación.
5. La captación solar solo es eficaz con luz solar directa. Cada hora que la luz está encendida requiere un mínimo de cinco (5) horas de carga con luz solar.

SENSOR DE MOVIMIENTO

1. A la hora de decidir dónde montar este luminario, tenga en cuenta que el sensor de movimiento que activa la luz tiene un "campo de visión" de 30 pies (9,14 m) delante de la luz y un ángulo de detección de unos 180° a una temperatura ambiente de 77 °F (25 °C).
2. El sensor de movimiento tendrá un tiempo de calentamiento en su primer uso de unos 60 segundos. Espere un mínimo de 60 segundos después del primer encendido antes de probar el sensor de movimiento.
3. Cuando se pruebe el funcionamiento del sensor de movimiento durante el día, el panel solar tendrá que estar cubierto para anular la funcionalidad Crepúsculo-Amanecer del luminario. Cubra completamente el panel solar con un trozo de cartón y cinta adhesiva para la primera prueba.

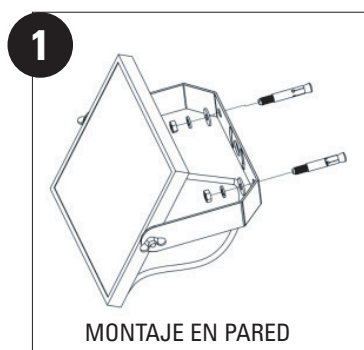
GUÍA DEL INDICADOR DE BATERÍA MEDIANTE LUZ LED			
ESTADO DEL LUMINARIO	LED ROJO	LED VERDE	LED DEL LUMINARIO
Carga en curso (batería con una carga del 10 % al 90 %)	APAGADO	Parpadeo	APAGADO
Carga finalizada batería con una carga >90 %)	APAGADO	ENCENDIDO	Permanece en el mismo estado
Descarga en curso (batería con una carga del 90 % al 10 %)	APAGADO	APAGADO	Permanece en el mismo estado
Batería baja (con una carga <10 %)	ENCENDIDO	APAGADO	Permanece en el mismo estado
Modo de movimiento seleccionado	Permanece en el mismo estado	Permanece en el mismo estado	Parpadea una vez cuando se selecciona el modo
Modo D2D seleccionado	Permanece en el mismo estado	Permanece en el mismo estado	Parpadea dos veces cuando se selecciona el modo
Modo de movimiento + D2D seleccionado	Permanece en el mismo estado	Permanece en el mismo estado	Parpadea tres veces cuando se selecciona el modo



INSTALACIÓN

- Al seleccionar el lugar de montaje de este luminario, lo más importante que hay que recordar para que funcione correctamente es que lo hace a partir de la energía recibida de la luz solar directa. El panel solar funciona mejor cuando se coloca en la parte orientada al sur o en el punto más alto de una estructura. Cuanta más luz solar directa reciba el panel solar en un día, durante más tiempo funcionará la luz. Asegúrese de que haya obstáculos mínimos entre el panel solar y el sol.
- Para obtener los mejores resultados, móntelo a una altura máxima de 25 pies (7,62 m).

Instalación - Kit de paneles solares



O BIEN



MONTAJE EN PARED

- Taladre dos orificios en la superficie de montaje e inserte los dos anclajes de tornillo (EE) en los orificios. Fig. (1)
- Utilice dos (2) tuercas con arandelas para montar el panel solar (C) en la pared.

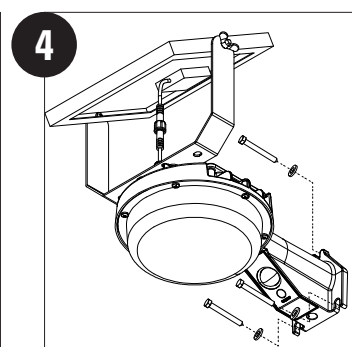
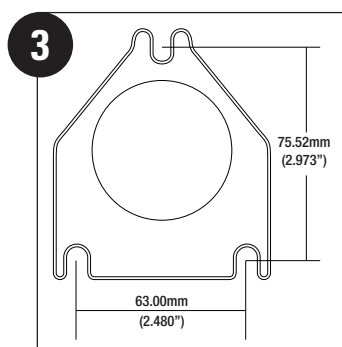
SOPORTE INTEGRADO

- Utilice dos (2) tornillos (EE) con arandelas para montar el panel solar en el luminario. Fig. (2)

Instalación del luminario

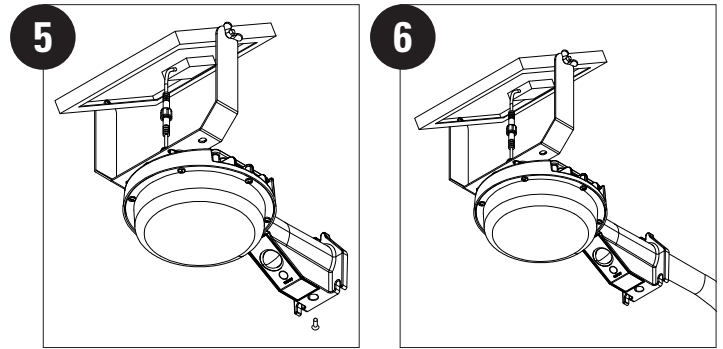
MONTAJE EN PARED

- Taladre tres (3) orificios en la superficie de montaje elegida utilizando el brazo del luminario como plantilla o el diagrama a escala. Fig. (3)
- Utilice los tres (3) tirafondos de montaje incluidos (AA) con las tres (3) arandelas (BB) para fijar el luminario en los orificios piloto perforados previamente. Asegúrese de que el luminario está bien sujeto a la pared. Fig. (4)
- Conecte el panel solar al luminario conectando y apretando el cable de 2,8 pies (0,85 m) incluido.
- Si se necesita más distancia entre el panel solar y el luminario, se puede adquirir en línea un cable de extensión de 16 pies (4,88 m).



MONTAJE EN POSTE (ESPIGA)

- Retire el tornillo de montaje del poste de la parte inferior del brazo del luminario como se muestra en la Fig. (5).
- Deslice el luminario en el poste de espiga (se vende por separado).
- Utilizando el tornillo que retiró en un paso anterior, vuelva a colocarlo en el mismo orificio y apriételo hasta que el luminario quede sujeto al poste.
- Conecte el panel solar al luminario conectando y apretando el cable de 2,8 pies (0,85 m) incluido.
- Si se necesita más distancia entre el panel solar y el luminario, se puede adquirir en línea un cable de extensión de 16 pies (4,88 m).



CONFIGURACIÓN Y PRUEBA DE LA LUZ SOLAR CON CONTROL REMOTO

- El control remoto viene con batería AAA incluidas.
- Al seleccionar un modo de funcionamiento para este luminario con el control remoto incluido, la unidad seguirá funcionando en el modo seleccionado día tras día. No es necesario utilizar el control remoto después de configurar el luminario con los ajustes deseados. Solo será necesario para modificar los ajustes.

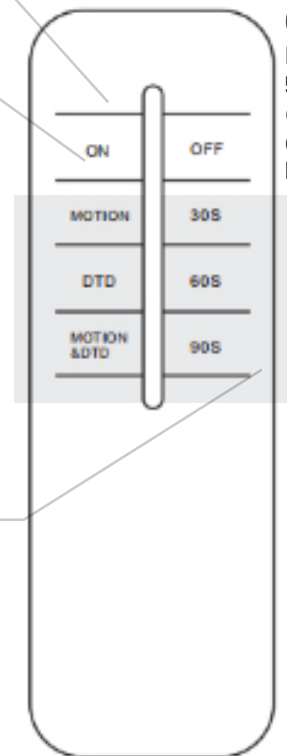
- Encendido (ON): encendido manual del luminario al 100 %
- Apagado (OFF): apagado manual del luminario al 0 %.

CONFIGURACIÓN DE LOS MODOS DE FUNCIONAMIENTO

- Modo MOVIMIENTO:** (la luz parpadea una vez cuando se selecciona el modo en el control remoto). Este es el modo predeterminado de fábrica. Después de la puesta del sol, el luminario se encenderá al 100 % cuando detecte movimiento. Permanecerá encendido durante 30/60/90 segundos, según el tiempo de espera del sensor de movimiento seleccionado por el usuario. Una vez transcurrido el tiempo de espera y si no se detecta movimiento, el luminario se apagará.
- Modo nocturno (DTD):** (la luz parpadea dos veces cuando se selecciona el modo en el control remoto). Después de la puesta de sol, el luminario se encenderá durante 12 horas de luz al 10 % de la salida máxima nominal de lúmenes del luminario.
- Modo MOVIMIENTO+DTD:** (la luz parpadea tres veces cuando se selecciona el modo en el control remoto). Después de la puesta del sol el luminario se encenderá continuamente a una salida ambiental del 8 % de lúmenes y cuando se detecte movimiento la intensidad de la luz aumentará al 30 % de la salida nominal y permanecerá encendido durante 30/60/90 segundos según el ajuste de tiempo de espera del sensor de movimiento que se indica a continuación. Una vez transcurrido el tiempo de espera y si no se detecta movimiento, el luminario volverá al nivel de salida de lúmenes ambiente.

CONFIGURACIÓN DEL TIEMPO DE ESPERA DEL SENSOR DE MOVIMIENTO

- 30 s: se aplica solo a los modos Movimiento y Movimiento+D2D.**
Retardo automático de 30 s después de que no se detecta movimiento. El luminario se apaga al 100 %.
- 60 s: se aplica solo a los modos Movimiento y Movimiento+D2D.**
Retardo automático de 60 s después de que no se detecta movimiento. El luminario se apaga al 100 %.
- 90 s: se aplica solo a los modos Movimiento y Movimiento+D2D.**
Retardo automático de 90 s después de que no se detecta movimiento. El luminario se apaga al 100 %.



ALCANCE DEL CONTROL REMOTO:
Distancia de 30 a 50 pies (9,14 a 15,24 m) con línea de visión despejada hasta el luminario.

CUIDADO Y LIMPIEZA

- Para prolongar el aspecto original, limpie el luminario solo con agua limpia y un paño suave y húmedo.
- No utilice limpiadores abrasivos o que contengan alcohol. No aplique pinturas, solventes ni ningún otro producto químico sobre este luminario. Podrían provocar un deterioro prematuro del acabado y anular la garantía.
- No rocíe el luminario con una manguera o hidrolavadora.

MANTENIMIENTO DE LA BATERÍA

- Este luminario viene con baterías recargables preinstaladas y totalmente selladas dentro de la unidad.
- Estas baterías no están diseñadas para que se las sustituya.

SOLUCIÓN DE PROBLEMAS

PROBLEMA	CAUSA POSIBLE	SOLUCIÓN
La luz no se ENCIENDE al detectar movimiento por la noche	La luz externa del ambiente es demasiado brillante. (De ser así, la unidad podría considerar que es de día).	<ul style="list-style-type: none"> • Reubique o reposicione la unidad lejos de la fuente de luz.
	El luminario no está cargando durante el día.	<ul style="list-style-type: none"> • El panel solar debe recibir luz solar directa para cargarse durante el día (reposiciónelo si está a la sombra). • El panel solar debe estar limpio y libre de desechos. • Asegúrese de que las baterías se hayan cargado durante dos (2) días completos de luz solar antes de encender el luminario. • Cuando la batería esté baja, el luminario se apagará automáticamente hasta que se haya recargado la batería al nivel operativo.
La luz se enciende de noche sin razón aparente	Presencia de movimiento en la zona de detección.	<ul style="list-style-type: none"> • Asegúrese de que el sensor no está detectando objetos móviles como árboles, tránsito, etc. • PRUEBA Cubra la lente del sensor con cinta aislante negra para evitar que el sensor detecte movimiento. Si la luz permanece apagada, hay algo en la zona de detección que está activando el sensor. • Reposicione el luminario. • Si la luz permanece encendida con la lente del sensor cubierta, comuníquese con el servicio al cliente.
La luz permanece encendida de noche y no se apaga	Presencia de movimiento en la zona de detección.	<ul style="list-style-type: none"> • Asegúrese de que el sensor no está detectando objetos móviles como árboles, tránsito, etc. • Reposicione el luminario. • Si la luz continúa encendida, comuníquese con el Servicio de atención al cliente.

GARANTÍA LIMITADA DE TRES (3) AÑOS

LA SIGUIENTE GARANTÍA ES EXCLUSIVA Y REEMPLAZA TODAS LAS DEMÁS GARANTÍAS, EXPRESAS, IMPLÍCITAS O ESTABLECIDAS POR LEY, INCLUIDAS, PERO SIN LIMITARSE A, TODA GARANTÍA DE COMERCIABILIDAD O IDONEIDAD PARA FINES ESPECÍFICOS.

Cooper Lighting Solutions garantiza a los clientes que, durante un período de tres (3) años desde la fecha de compra, los productos de Cooper Lighting Solutions estarán libres de defectos en cuanto a materiales y mano de obra. La obligación de Cooper Lighting Solutions según esta garantía se limita expresamente a proporcionar productos de reemplazo. Esta garantía cubre solamente al comprador original del producto. Es necesario presentar un recibo del comprador u otra prueba de la fecha de compra original aceptable para Cooper Lighting Solutions antes de que se preste el servicio de garantía. Esta garantía no se aplica a los productos de Cooper Lighting Solutions que se hayan modificado o reparado, que se hayan sometido a un trato descuidado, maltrato, uso indebido o accidente (incluidos los daños ocasionados durante el transporte). Esta garantía no se aplica a productos no fabricados por Cooper Lighting Solutions que se hayan suministrado, instalado o utilizado junto con sus productos de este. Esta garantía no cubre los daños al producto como consecuencia de usar bombillas de repuesto, o la corrosión o decoloración de los componentes de bronce.

LIMITACIÓN DE RESPONSABILIDAD: COOPER LIGHTING SOLUTIONS NO SERÁ RESPONSABLE EN CASO ALGUNO POR DAÑOS ESPECIALES, INDIRECTOS, INCIDENTALES O EMERGENTES (SIN IMPORTAR LA ACCIÓN LEGAL, YA SEA POR RESPONSABILIDAD CONTRACTUAL OBJETIVA O EXTRA CONTRACTUAL, INCLUIDA NEGLIGENCIA), NI POR PÉRDIDAS DE GANANCIAS; ADEMÁS, COOPER LIGHTING SOLUTIONS TAMPOCO SERÁ RESPONSABLE POR CUALQUIER RECLAMO O DAÑO QUE SURJA O TENGA RELACIÓN CON ESTOS TÉRMINOS O CON LA FABRICACIÓN, VENTA, ENTREGA, USO, MANTENIMIENTO, REPARACIÓN O MODIFICACIÓN DE LOS PRODUCTOS DE COOPER LIGHTING SOLUTIONS, O CON EL SUMINISTRO DE CUALQUIER PIEZA DE REPUESTO QUE CORRESPONDA, NO SE ACEPTARÁN CARGOS POR MANO DE OBRA PARA QUITAR O INSTALAR LUMINARIOS.

Para recibir el servicio cubierto por la garantía, comuníquese Cooper Lighting Solutions al 1-800-334-6871 o envíe un correo electrónico a ConsumerProducts@Cooperlighting.com e incluya la siguiente información:

- Nombre, dirección y número de teléfono
- Fecha y lugar de la compra
- Catálogo y cantidad de la compra
- Descripción detallada del problema

Todos los productos devueltos deben estar acompañados por un Número de autorización para la devolución de mercancías emitido por la Empresa, y se los deberá enviar con el flete prepagado. Se rechazarán todos los productos recibidos que no tengan un Número de autorización para la devolución de mercancías de la Empresa. Cooper Lighting Solutions no es responsable de las mercancías que se dañen durante el tránsito. Los productos reparados o reemplazados estarán sujetos a los términos de esta garantía y se inspeccionarán al embalarlos. Se deberán informar y reclamar de inmediato al transportista los daños evidentes u ocultos que sean resultado del traslado.

Se prohíbe estrictamente la reproducción de este documento sin la previa aprobación por escrito de Cooper Lighting Solutions.

Para recibir ayuda, llame al 1-800-334-6871 o envíenos un correo electrónico a ConsumerProducts@Cooperlighting.com.

Impreso en China

Cooper Lighting Solutions is a registered trademark. All trademarks are property of their respective owners.

Cooper Lighting Solutions est une marque de commerce déposée. Toutes les autres marques de commerce sont la propriété de leur propriétaire respectif.

© 2023 Cooper Lighting Solutions
All Rights Reserved
Printed in USA
Imprimé aux États-Unis
Impreso en los EE. UU.
Publication No. IL5187723
March 2023

Cooper Lighting Solutions es una marca comercial registrada. Todas las marcas comerciales son propiedad de sus respectivos propietarios.