

DESCRIPTION

The McGraw-Edison BSL / BRL Bollard Series, available in heights from 24" to 42", has crisp, clean lines which blend with any architectural setting. Constructed of seamless, heavy-duty aluminum and finished with a tough polyester powder coat finish, the McGraw-Edison Louvered Bollard Series is gasketed to seal out external contaminants. U.L. 1598 listed and CSA certified for wet locations.

Bollards are designed for walkways, entranceways, drives and other small-area lighting applications where low mounting heights are desirable.

SPECIFICATION FEATURES

Construction

TOP: Rugged, minimum 5/32" thick cast aluminum top cap secured via a concealed stainless steel allen screw with twist removal mechanism for lamp access. Flow through ventilation assure cool to the touch top. **LOUVERS:** Cast Aluminum Louver blades provide sharp cutoff delivering no direct light above 90°. Louvers are secured to the shaft via tamper stainless steel rods and fasteners. **LOWER HOUSING:** Nominal 1/8" thick aluminum extruded housing. Bollard housing is secured to the base with flathead, counter-sunk screws for smooth, uncluttered appearance. **BASE:** Rugged cast aluminum. Completely concealed.

Electrical

HID High Power Factor ballast for -20°F starting. CFL Electronic ballast for 0°F starting. Product is factory mounted to the base. Quick

disconnects provided between lamp and electrical assembly. Pulse Start Metal Halide and High Pressure Sodium lamp sources up to 100W and up to 42W Compact Fluorescent sources.

Optical

LAMP ENCLOSURE: One piece tempered glass with internal flutes for even disbursement of illumination. Decorative colored glass optional. Globe is fully gasketed via EPDM material. Socket is porcelain, medium-base for HID lamp sources and polycarbonate/PBT GX24q-3/q-4 base for compact fluorescent lamps.

Mounting

Base mounts onto foundation with three (3) 1/2" x 12 1/2" anchor bolts on a 5" Dia. bolt circle (a centrally located 2 7/8" x 3 1/2" wire entrance opening provided).

Catalog #		Type
Project		
Comments		Date
Prepared by		

Finish

Premium fade and abrasion resistant, TGIC Polyester Powder Coat Finish. Standard colors are Black, Grey, Bronze, White, Dark Platinum and Graphite Metallic. Other finish colors available including all RAL matches.



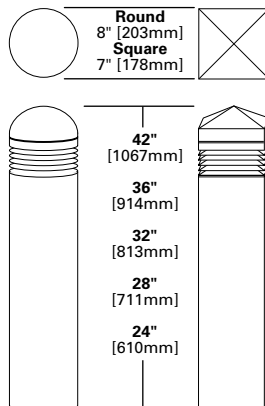
BSL/BRL BOLLARD

26 - 100W

Pulse Start Metal Halide
High Pressure Sodium
Compact Fluorescent
Incandescent

PATHWAY LUMINAIRE

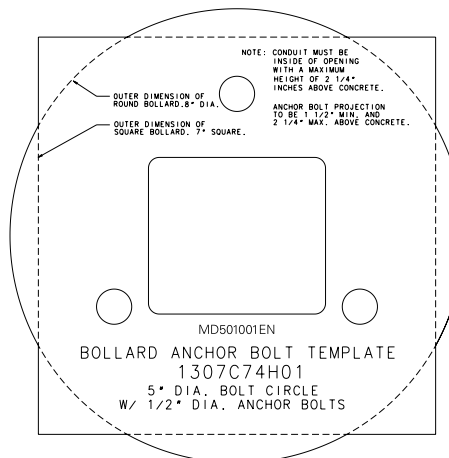
DIMENSIONS



WATTAGE TABLE

Lamp Type	Wattage
Pulse Start Metal Halide (MP)	50, 70, 100W
High Pressure Sodium (HPS)	35, 50, 70, 100W
Compact Fluorescent (CF)	(1) 26, (1) 32, (1) 42W
Incandescent (IN)	100W

ANCHOR BOLT TEMPLATE (NOT TO SCALE)



Energy Data

Reactor Ballast Input Watts
35W HPS NPF (46 Watts)

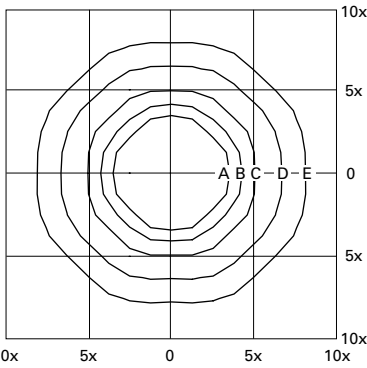
High Reactance Ballast Input Watts
 50W HPS HPF (62 Watts)
 50W MP HPF (69 Watts)
 70W HPS HPF (86 Watts)
 70W MP HPF (94 Watts)
 100W HPS HPF (115 Watts)
 100W MP HPF (129 Watts)

SHIPPING DATA

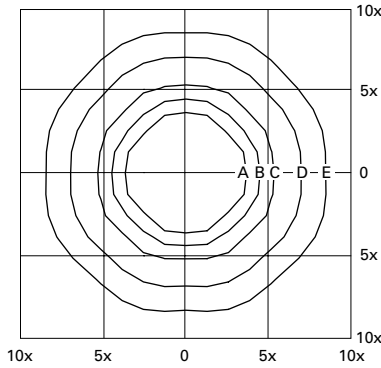
Approximate Net Weight:
26 lbs. (12 kgs.)



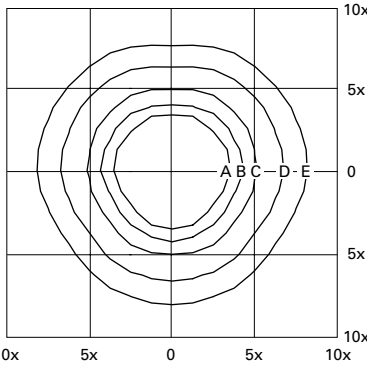
PHOTOMETRICS



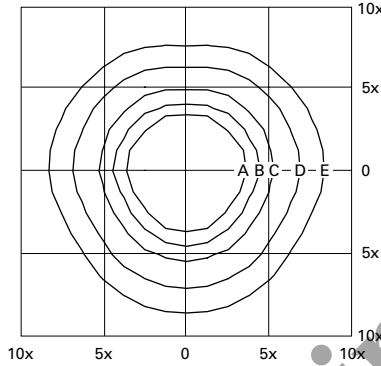
BSL-36-100-MP
100-Watt MP
7,900-Lumen Lamp (Coated ED-17)



BSL-36-100-HPS
100-Watt HPS
8,800-Lumen Lamp (Coated ED-17)



BRL-36-100-MP
100-Watt MP
7,900-Lumen Lamp (Coated ED-17)



BRL-36-100-HPS
100-Watt HPS
8,800-Lumen Lamp (Coated ED-17)

Footcandle Table

Select mounting height and read across for footcandle values of each isofootcandle line. Distance in units of mounting height.

Mounting Height	Footcandle Values for Isofootcandle Lines				
	A	B	C	D	E
42"	1.20	0.60	0.30	0.12	0.06
36"	2.00	1.00	0.50	0.20	0.10
32"	2.40	1.20	0.60	0.24	0.12
28"	3.20	1.60	0.80	0.32	0.16
24"	4.40	2.20	1.10	0.44	0.22

ORDERING INFORMATION

Sample Number: BSL-36-100-MP-MT-BK

Product Family	Fixture Height	Lamp Wattage ¹	Lamp Type ⁵	Voltage ⁶	Color ⁸	Options (Add as Suffix)
BSL =Square Bollard with Stacked Louvers and Pyramidal Top BRL =Round Bollard with Stacked Louvers and Dome Top	24=24" 28=28" 32=32" 36=36" 42=42"	MP 70=70W 100=100W HPS 35=35W ² 50=50W 70=70W ³ 100=100W CF 26=(1) 26W 32=(1) 32W 42=(1) 42W IC ⁴ 100=100W	MP =Pulse Start Metal Halide HPS =High Pressure Sodium CF =Compact Fluorescent IC =Incandescent	120=120V 208=208V 240=240V 277=277V 347=347V MT =Multi-Tap ⁶ TT =Triple-Tap ⁶ UNV =Universal 120-277V ⁷	AP =Grey BZ =Bronze BK =Black WH =White DP =Dark Platinum GM =Graphite Metallic	F =Single Fuse (120, 277 or 347V) FF =Double Fuse (208, 240 or 480V) L =Lamp Included ⁹ R1 =Provisional cut for GFI Receptacle ¹⁰ R2 =Installed GFI Receptacle ¹⁰ CF/EM =Emergency Battery Pack ¹¹

NOTES:

- HID lamps are medium base.
- 35W HPS available in 120V only.
- Available with clear lamp only.
- Only available in 120 volts.
- Consult a Cooper Lighting Solutions representative for lamp/ballast type/voltage compatibility.
- Multi-Tap ballast is 120/208/240/277V wired 277V. Triple-Tap ballast is 120/277/347V wired 347V.
- Compact Fluorescent only Electronic ballast universal voltage 120-277V.
- Other finish colors available, including a full line of RAL color matches. Consult your Cooper Lighting Solutions Representative.
- Coated lamp standard. Must specify clear lamp if desired.
- Location of R1 and R2 option on housing subject to height of luminaire.
- CF lamps only, rated minimum operating temperature 32° F (0° C).