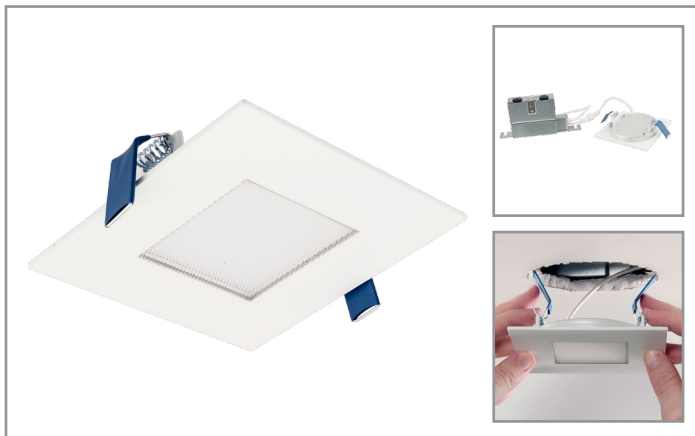


Project		Catalog #		Type	
Prepared by		Notes		Date	



HALO

HLB4SP

4-Inch LED Square Lens Downlight with Remote Driver / Junction Box Round Ceiling Cutout

Typical Applications

Office • Education • Healthcare • Hospitality • Retail • Code-Compliance Areas • Residential

Interactive Menu

- Order Information [page 2](#)
- Product Specifications [page 2](#)
- Photometric Data [page 3](#)
- Energy & Performance Data [page 3](#)
- Product Warranty
- Dimming Guide

Product Certification



Refer to ENERGY STAR® Certified Products List. Can be used to comply with California Title 24 High Efficacy requirements. Certified to California Appliance Efficiency Database under JAB.

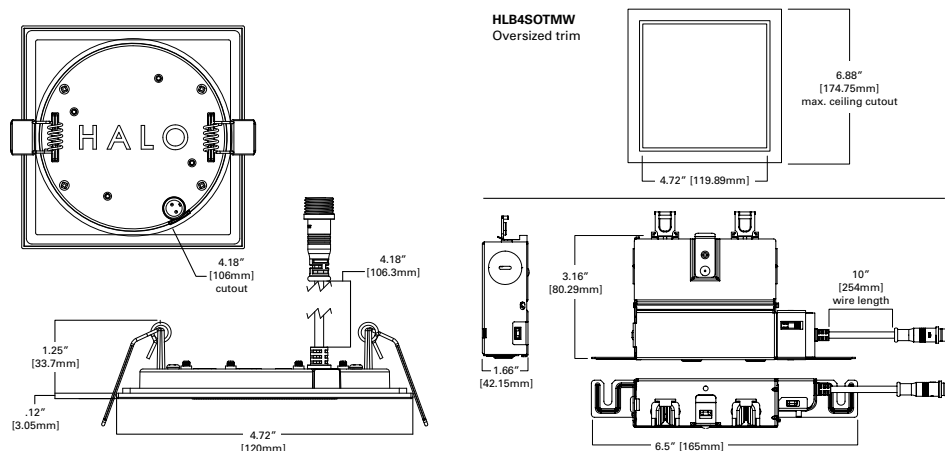
Product Features



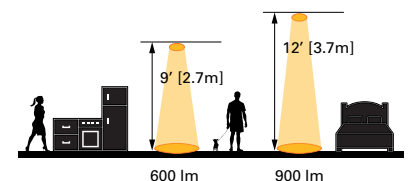
Top Product Features

- Direct mount - does not require recessed housing or junction box
- Square downlight with a round ceiling cutout
- Delivers up to 750 lumens
- Achieves L70 at 50,000 hours in IC and non-IC applications
- 2700K, 3000K, 3500K, 4000K and 5000K field selectable CCT; 3000K and 4000K fixed CCT

Dimensional and Mounting Details



Scale



Order Information

Icon Key: ▲ Configurable Product

SAMPLE ORDER NUMBER: **HLB4SP069FS1EMWR**

Models	Lumens	CRI / CCT	Driver	Finish	Packaging
HLB4SP = 4-Inch LED Square lens round ceiling cutout downlight with remote driver / junction box	06 = 600 lumens (nominal)	930 = 90 CRI minimum, 3000K CCT 940 = 90 CRI minimum, 4000K CCT 9FS = 90 CRI minimum, field selectable 2700K, 3000K, 3500K, 4000K or 5000K CCT	1E = 120V 60Hz, LE & TE phase cut 5% dimming	MW = matte white flange	R = recyclable 4-color unit carton suitable for point of purchase merchandising display
Notes	Notes	Notes	Notes	Notes	Notes

Accessories

Accessories	
HLB4SOTMW = 4" square oversized trim, matte white HL4NCMF = 4" new construction mounting frame Designer Trims HLB4SPTRMMW = 4" square pin decorative overlay, matte white HLB4SPTRMSN = 4" square pin decorative overlay, satin nickel HLB4SPTRMTBZ = 4" square pin decorative overlay, tuscan bronze	Extension Cable Dedicated Driver/Jbox HLB06EC = 6 ft. extension cable HLB12EC = 12 ft. extension cable HLB20EC = 20 ft. extension cable Extension Cable seleCCTable Driver/Jbox HLB06FSEC = 6 ft. extension cable HLB12FSEC = 12 ft. extension cable HLB20FSEC = 20 ft. extension cable
Notes	

Product Specifications

Housing

- Die cast aluminum mounting frame with integral flange provides passive thermal cooling achieving L70 at 50,000 hours in IC and non-IC applications
- High impact diffuse lens provides shielding to the light guide minimizing pixilation

Gasket

- Closed cell gasket achieves restrictive airflow and wet location listing without additional gaskets or caulking

Optics

- Acrylic lens organizes source flux into wide distribution with 1.16 spacing criteria, useful for general area illumination

LED Array

- Plurality of mid power LED's provides a uniform source with high efficiency and long life
- Available in 90 CRI minimum, R9 greater than 50 provides high color rendering
- Fixed 3000K and 4000K CCT color temperatures, color accuracy within 3 SDCM
- Optional field selectable color temperature, select 2700K, 3000K, 3500K, 4000K or 5000K CCT, color accuracy within 4 SDCM
- Meets ENERGY STAR® color angular uniformity requirements, deviation is less than 0.006 u' v'

Remote Driver / Junction Box

- Die formed metal driver / junction box with captive hinged junction box cover
- Listed for (6) #12 AWG 90° C splice conductors, 2-in, 2-out plus (2) ground
- (2) ½" conduit pry-outs
- (2) Slide-N-Side™ non-metallic (NM) wire traps allows wiring outside the box
- Accepts 14-2, 14-3, 12-2, 12-3 U.S. and 14-2, 14-3, 12-2 Canadian NM cable
- (3) 4-port push wire nuts with clear caps for quick and reliable mains voltage connections
- Integral mounting facilitate direct mounting to building structure or mounting frame

Driver

- 120V 60 Hz constant current driver provides noise free operation
- Continuous, flicker-free dimming from 100% to 5% with select leading or trailing edge 120V phase cut dimmers • Plenum rated inline electrical quick connect provides low voltage connection to fixture fitting, CMP/FT6 rated

Installation

- Can be installed in 1/2" to 1-1/4" thick ceilings
- Round ceiling cutout
- Heat treated springs hold fixture fitting securely in the ceiling eliminating light leaks
- Housing is less than ½" thick and can span a 2" nominal framing member
- Can be removed from below the ceiling for service or replacement

Compliance

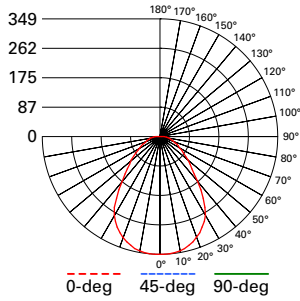
- cULus certified type IC suitable for direct contact with air permeable insulation
- Not recommended for use in direct contact with spray foam insulation, reference NEMA LSD57-2013
- Wet location listed and IP44 ingress protection
- Airtight per ASTM-E283-04
- Suitable for use in clothes closets when installed in accordance with the NEC 410.16 spacing requirements
- EMI/RFI emissions per FCC 47CFR Part 15 consumer limits
- Contains no mercury or lead and RoHS compliant
- Photometric testing in accordance with IES LM-79-08
- Lumen maintenance projections in accordance with IES LM-80-08 and TM-21-11
- Can be used for State of California Title 24 high efficacy LED compliance under JA8, reference Modernized Appliance Efficiency Database System (MAEDBS) for 2016 JA8 High Efficacy Lighting
- ENERGY STAR® certified, reference "Certified Light Fixtures" database

Warranty

- Five year warranty standard.

Photometric Data

[View IES files](#)

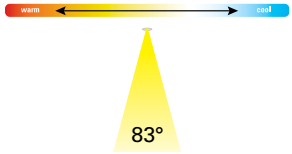


HLB4SP069FS1EMWR-3000K
 Spacing criterion: (0-180) 1.16
 (90-270) 1.18
 (Diagonal) 1.183
 Beam Angle: 82.8°
 Field Angle: 147.1°
 Lumens: 654
 Input Watts: 10.2 W
 Efficacy: 64.12 LPW
 Test Report:
 HLB4SP-3000K.ies

Zonal Lumen	Lumens	% Lumens
0-30	247.2	37.8
0-40	380.0	58.1
0-60	558.5	85.4
0-90	654.0	100

TM-30-15	Rf = 94
	Rg = 100
CRI/CIE	Ra = 96.2
	R9 = 82.2

CCT - Range of 2700K- 5000K



Energy and Performance Data

Energy Data	
Lumens	600 Series
Input Voltage	120V
Input Current	90 (mA)
Input Power	10.5 (W)
Inrush (A)	2.2 A @ 54mS
THD	≤ 20%
PF	≥ 0.90
T Ambient	-30° - +40°C
Sound Rating	≤ 22 dba

		Lumens	Power (W)	LPW
Fixed CCT	2700K	634	10.1	62.8
	3000K	661	10.0	66.1
	3500K	679	10.0	67.9
	4000K	702	10.0	70.2
	5000K	724	10.0	72.4
Field Selectable CCT	2700K	638	10.2	62.6
	3000K	654	10.2	64.1
	3500K	669	10.1	66.2
	4000K	683	10.1	67.6
	5000K	704	10.1	69.7

HLB4SP069FS1EMWR

PRODUCT SPECIFICATIONS	
Lumens	661
Watts	10
Lumens Per Watt (Efficacy)	66.1
Color Accuracy (CRI)	94
Light Color (CCT)	3000K
Correlated Color Temperature (CCT)	
2700K	3000K
4500K	6500K

Note: Refer to IES files for more product data.