

**DESCRIPTION**

406 Direct/Indirect Pendant features a luminous, perforated or solid upper dome with an indirect solid lower bowl and is available in two diameters with multiple mounting options.

<b>Catalog #</b>		<b>Type</b>
<b>Project</b>		
<b>Comments</b>		<b>Date</b>
<b>Prepared by</b>		

**SPECIFICATION FEATURES**

**Material/Mounting**

Painted and plated cold rolled steel or aluminum. Optional Caming Trim. Matte white acrylic Luminous Upper Dome (LUD), Perforated Upper Dome with acrylic liner and caming trim (PUD) or Solid Upper Dome (SUD) that is supplied with a painted white interior, exterior as per finish specification.

Three Stem (Standard): Three 3/8" stems with a standard height of 24" (OA), minimum 18" (OA). Maximum overall hang height for one piece stem assembly is 5' (OA). Lengths from 9' to 25' a 5/8" Collector Body (CB) will be provided. A collector body over 16" (OA) will be supplied in multiple stem sections. Contact factory for lengths above 25'. Specify SCA for sloped ceilings up to 45°.

**Finish**

Standard: Matte White (MW), Premium: Satin Chrome (SC), Polished Chrome - LUD & 28" SUD only (PC), Satin Copper (SCP), Polished Copper - 28" SUD only (PCP), Satin Nickel (SN), Polished Nickel - LUD & 28" SUD only (PN), Satin Brass (SB), Polished Brass - LUD & 28" SUD only (PB), Oxidized Brass (OBRS),

**Finish (Con't.)**

Lacquered Satin Aluminum (SAL), Lacquered Satin Chrome (SCL), Lacquered Satin Nickel (SNL) or Custom Color (CC).

**Optics**

Refer to www.shaperlighting.com for complete photometrics.

**Ballast**

Integral electronic HPF, multi-volt 120/277V (347V Canada), thermally protected with end-of-life circuitry to accommodate the specified lamp wattage.

**Lamp/Socket**

28": Two (2) 26W or 32W (GX24q-3) 4-pin triple CFL lamps or two (2) 75W A-19 lamps.  
36": Four (4) 26W or 32W (GX24q-3) 4-pin triple CFL lamps or three (3) 75W A-19 lamps. CFL socket injection molded plastic. INC socket fired ceramic rated for 660W-250V. Lamps furnished by others.

**Installation**

Supplied with a universal circular strap for a standard 4" J-box or plaster ring. Safety cable provided. Shaper luminaires are designed for interior installations only.

**Options**

Dimming Ballast - Contact the factory for ballast options (DM), Caming Trim - Luminous Upper Dome only (CT), Sloped Ceiling Adaptor - Specify up to 45° (SCA), Remote Emergency Battery - Supplied by others (REM), Damp Location (DL): All Painted Finishes, Lacquered Satin Chrome (SCL) and Lacquered Satin Nickel (SNL) finishes only.

**Labels**

U.L. and C.U.L approved for indoor and damp location. See options for damp location finishing requirements. Shaper's DL option is for interior applications (only) that have more than average moisture (i.e. bathroom, laundry room, etc.) but are not UL listed for pool, sauna, shower, whirlpool and any exterior applications (i.e. covered garage or building entrance) with exposure to weather elements such as rain, wind, etc.

**Modifications**

Shaper's skilled craftspeople with their depth of experience offer the designer the flexibility to modify standard pendant luminaires for project specific solutions. Contact the factory regarding scale options, unique finishes, mounting, additional materials/colors, or decorative detailing.



**406 SERIES**

**Pendant Luminaire**  
Direct/Indirect Luminous  
Perforated or Solid Dome



**ORDERING INFORMATION**

Sample Number: 406-SUD-28-CFL/4/32-277V-PCP-24

<b>Series</b> 406 = Direct/Indirect Dome	<b>Bowl</b> LUD = Luminous Upper Dome PUD = Perforated Upper Dome SUD = Solid Upper Dome	<b>Lamp</b> CFL/2/26 1 CFL/2/32 1 CFL/4/26 2 CFL/4/32 2 INC/2/75 1 INC/3/75 2	<b>Finish</b> <u>Standard</u> MW = Matte White <u>Premium</u> CC = Custom Color OBRS = Oxidized Brass PB = Polished Brass 4 PC = Polished Chrome 4 PCP = Polished Copper 5 PN = Polished Nickel 4 SAL = Lacquered Satin Aluminum SB = Satin Brass SC = Satin Chrome SCL = Lacquered Satin Chrome SCP = Satin Copper SN = Satin Nickel SNL = Lacquered Satin Nickel	<b>Options</b> 1S = Single Stem TSS2B = Triple Stem Suspended Double Bowl TSS3B = Triple Stem Suspended Triple Bowl TSS4B = Triple Stem Suspended Four Bowl CT = Caming Trim 6 DL = Damp Location DM = CFL Dimming Ballast 7 REM = Remote Emergency Battery 8 SCA = Sloped Ceiling Adapter 9	<b>Suspension Height</b> 24" Or Specify
<b>Notes:</b> 1 Available in 28". 2 Available in 36". 3 Available with CFL only. 4 LUD and 28" SUD only. 5 28" SUD only. 6 LUD only. 7 Consult the factory for available options. 8 Supplied by others. 9 Specify up to 45°.	<b>Size</b> 28" 36"	<b>Voltage</b> 120V 277V 3 347V 3			

**SUSTAINABLE DESIGN**

Shaper has a long-standing history of offering environmentally-friendly fixtures. The copper and bronze alloys used in our exterior luminaires feature up to 98% recycled content, contribute less undesirable air emissions compared to painted aluminum and are easy to recycle.

**MAGNETIC RESONANCE IMAGING (MRI)**

Lighting fixtures for MRI facilities are specialized and unique, requiring non-ferrous construction. Fluorescent fixtures cannot be used due to the ferrous parts in ballasts and lampholders. Modified incandescent fixtures meet the requirements.

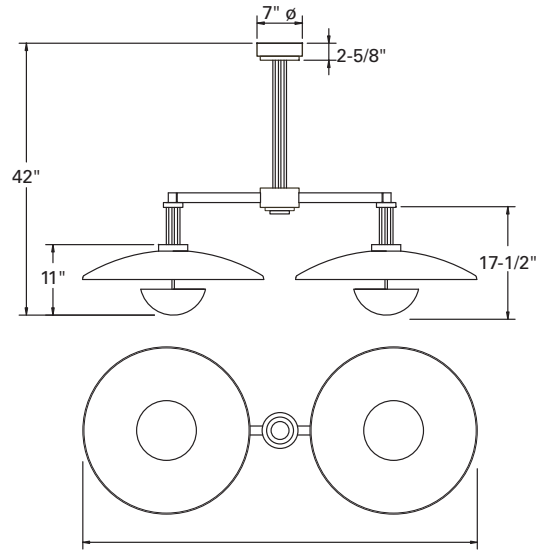
Refer to the Icon Legend  
Link on shaperlighting.com.

406 SUSPENSION OPTIONS

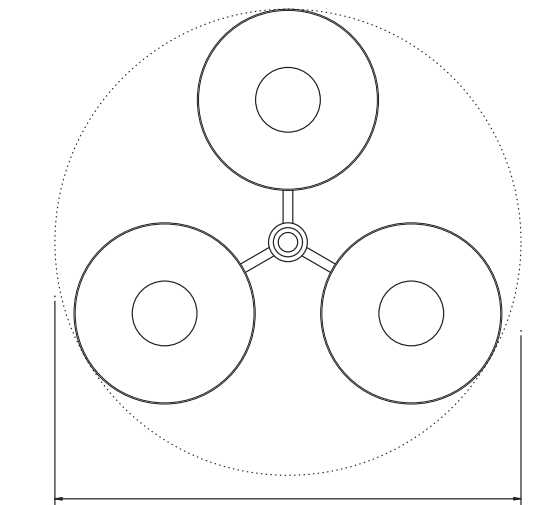
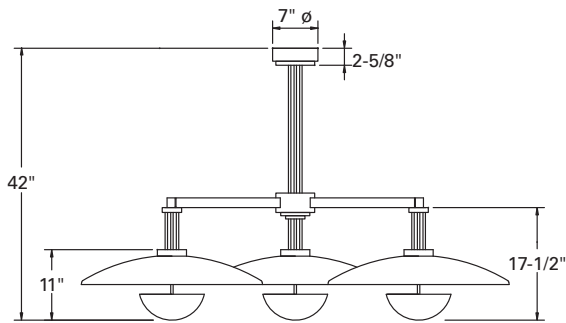
**Triple Stem Suspended Double Bowl (TSS2B):** Three 3/8" stems with a standard hang height of 42" (OA), minimum 30" (OA). Maximum overall hang height for one piece stem assembly is 5' (OA). 6' to 8' (OA) stem supplied with decorative alignment plates. Lengths from 9' to 25' a 5/8" Collector Body (CB) will be provided. Contact factory for lengths above 25'. Specify SCA for sloped ceilings up to 45°.

**Triple Stem Suspended Triple Bowl (TSS3B):** Three 3/8" stems with a standard hang height of 42" (OA), minimum 30" (OA). Maximum overall hang height for one piece stem assembly is 5' (OA). 6' to 8' (OA) stem supplied with decorative alignment plates. Lengths from 9' to 25' a 5/8" Collector Body (CB) will be provided. Contact factory for lengths above 25'. Specify SCA for sloped ceilings up to 45°.

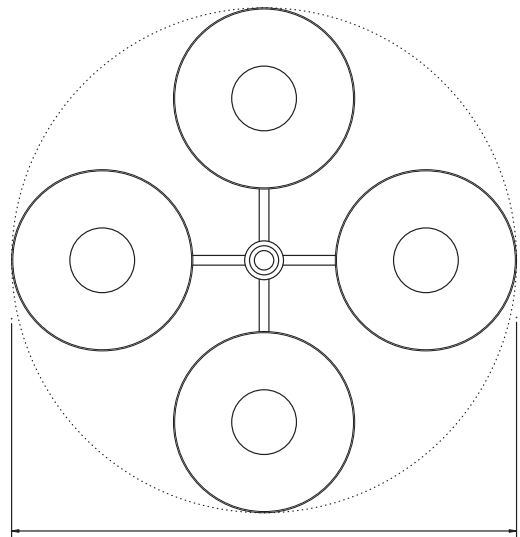
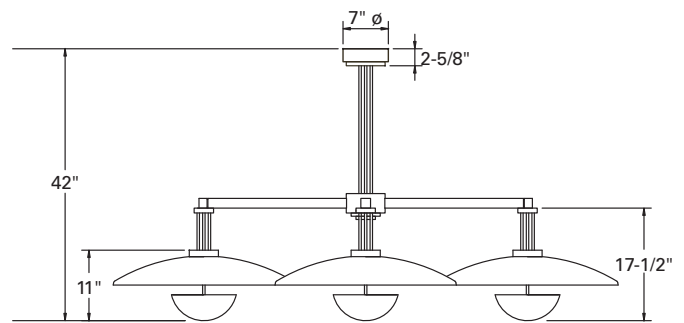
**Triple Stem Suspended Four Bowl (TSS4B):** Three 3/8" standard stems with a standard hang height of 42" (OA), minimum 30" (OA). Maximum overall hang height for one piece stem assembly is 5' (OA). 6' to 8' (OA) stem supplied with decorative alignment plates. Lengths from 9' to 25' a Collector Body (CB) will be provided. Contact factory for lengths above 25'. Specify SCA for sloped ceilings up to 45°.



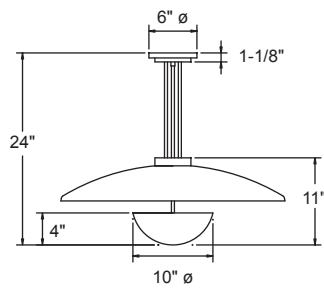
5'-6" @ 28"  $\phi$  BOWL  
**406 TRIPLE STEM SUSPENDED DOUBLE BOWL (TSS2B)**



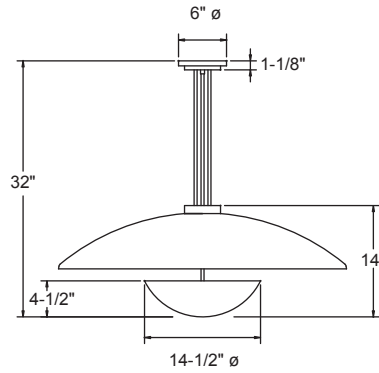
6'-0" @ 28"  $\phi$  BOWL  
**406 TRIPLE STEM SUSPENDED TRIPLE BOWL (TSS3B)**



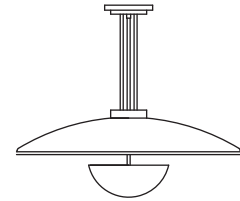
6'-6" @ 28"  $\phi$  BOWL  
**406 TRIPLE STEM SUSPENDED FOUR BOWL (TSS4B)**



28" STANDARD



36" STANDARD



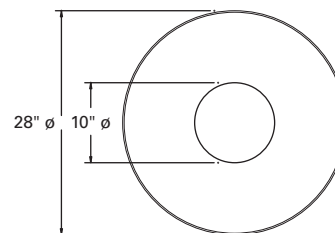
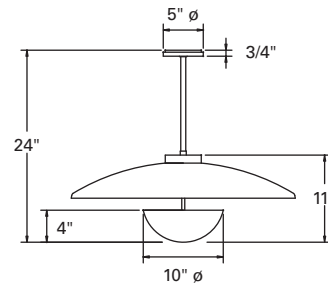
CAMING TRIM OPTION (CT)

406 SUSPENSION OPTIONS

**Single Stem (1S):** 5" cast canopy with a 1 1/2" swivel ball. One 5/8" stem with a standard hang height of 24" (OA), minimum 18" (OA). Maximum overall hang height for one piece stem assembly is 8' (OA). 9' to 30' (OA) stems are supplied in multiple sections. Supplied with a swivel canopy which will accommodate up to 25° adjustment. Specify SCA for sloped ceilings up to 45°.

**Installation**

Multi-Bowl Pendants: Contractor to provide appropriate structural support for fixture weight. Refer to installation drawings for details. Integral safety cable provided.



406 SINGLE STEM (1S)

COMPANION PRODUCTS



641

642



642-A

691